

### INTRODUCTION:

Adam Tech Right Angle .318" footprint PCB D-Sub connectors are a popular interface for many I/O applications. Offered in 9, 15, 25 and 37 positions they are a good choice for a low cost industry standard connection. These connectors are manufactured with precision stamped contacts offering a choice of contact plating and a wide selection of mating and mounting options.

### FEATURES:

Industry standard compatibility  
Durable metal shell design  
Precision formed bifurcated contacts  
Variety of Mating and mounting options

### MATING CONNECTORS:

Adam Tech D-Subminiatures and all industry standard D-Subminiature connectors.

### SPECIFICATIONS:

#### Material:

Insulator: PBT, 30% glass reinforced, rated UL94V-0  
Insulator color: Black  
Contacts: Phosphor Bronze  
Shell: Steel, Tin or Zinc plated  
Hardware: Brass, Nickel plated

#### Contact Plating:

Gold Flash (15 and 30  $\mu$ in Optional) over Nickel underplate.

#### Electrical:

Operating voltage: 250V AC / DC max.  
Current rating: 5 Amps max.  
Contact resistance: 20 m $\Omega$  max. initial  
Insulation resistance: 5000 M $\Omega$  min.  
Dielectric withstanding voltage: 1000V AC for 1 minute

#### Mechanical:

Insertion force: 0.75 lbs max  
Extraction force: 0.44 lbs min

#### Temperature Rating:

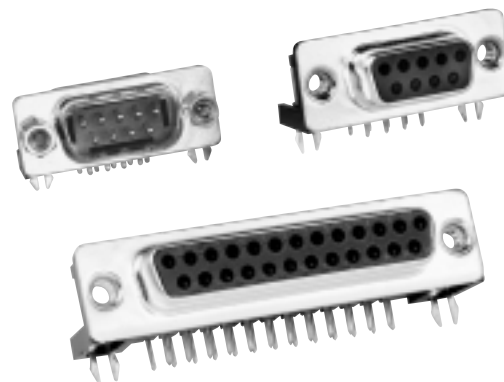
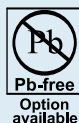
Operating temperature: -65°C to +125°C

#### PACKAGING:

Anti-ESD plastic trays

#### APPROVALS AND CERTIFICATIONS:

UL Recognized File No. E224053  
CSA Certified File No. LR1578596



### ORDERING INFORMATION



#### SHELL SIZE/ POSITIONS

DE09 = 9 Position  
DA15 = 15 Position  
DB25 = 25 Position  
DC37 = 37 Position

#### CONTACT TYPE

PL = Plug, .318"  
Footprint  
SL = Socket, .318"  
Footprint

#### MATING FACE MOUNTING OPTIONS

3 = #4-40 jackscrews  
4 = #4-40 flush threaded  
inserts  
5 = #4-40 flush threaded  
inserts with removable  
jackscrews installed  
6 = .120" non-threaded  
mounting holes

#### BOARD MOUNTING OPTIONS

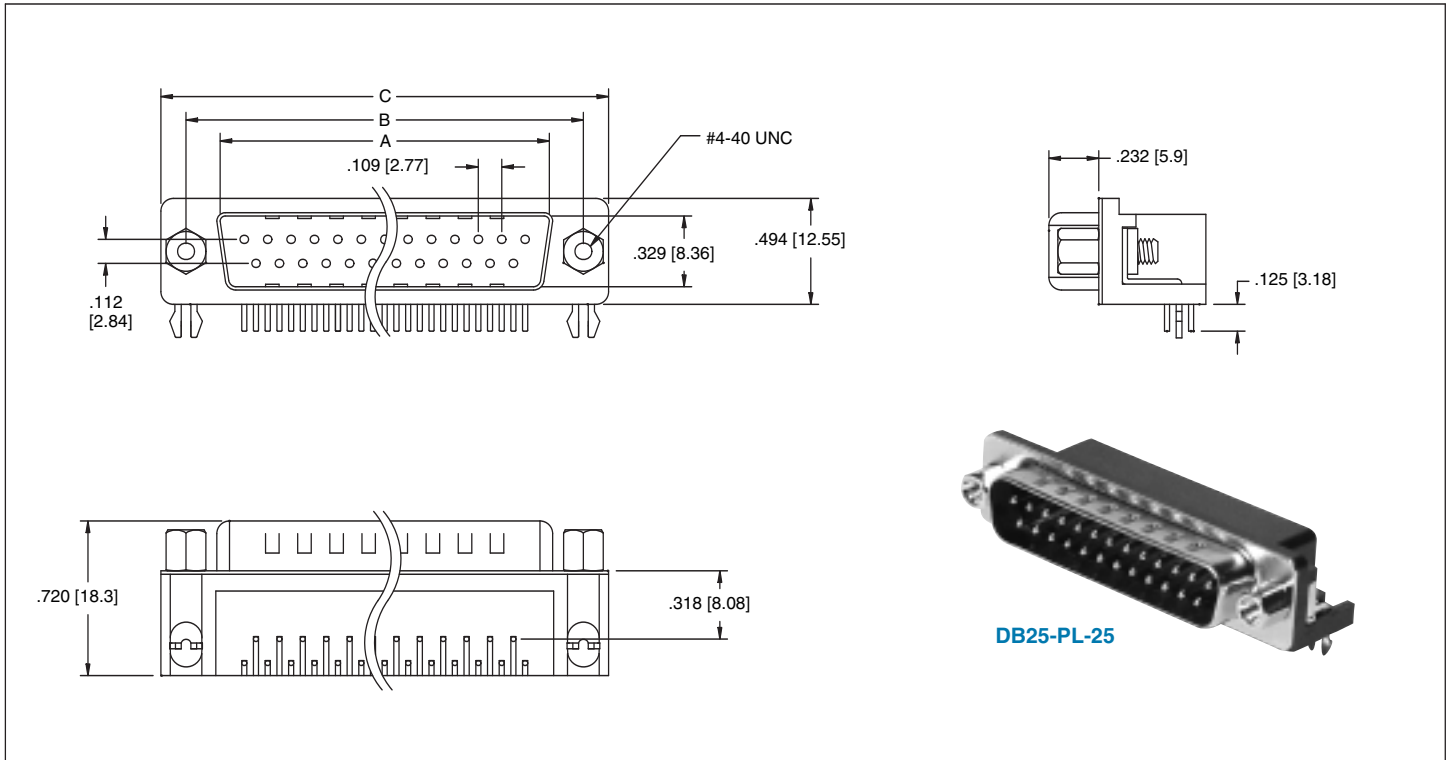
1 = Wrap around ground  
straps with holes  
2 = Forked board locks  
3 = Top side only ground  
straps with holes  
4 = Top side only ground  
straps with #4-40  
threaded screw holes



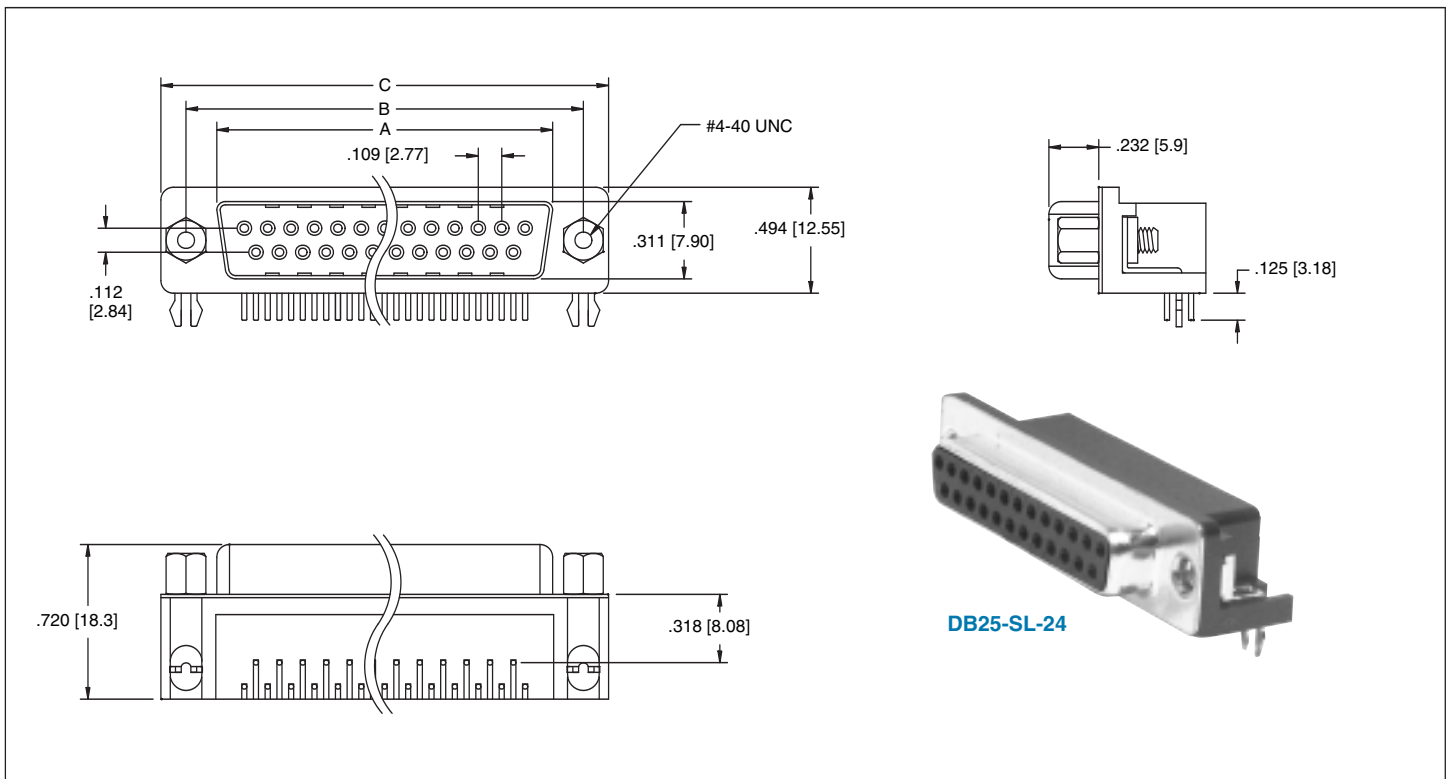
#### OPTIONS:

Add designator(s) to end of part number  
30 = 30  $\mu$ in gold plating in contact area  
EMI = Ferrite filtered version for EMI/RFI suppression  
LPJ = Loose packed jackscrews  
F = Superior retention 4 prong boardlocks  
HT = Hi-Temp insulator for Hi-Temp soldering processes  
R = Round jackscrews  
RC = RoHS compliant lead-free product with Hi-Temp insulator  
PF = Press fit pins

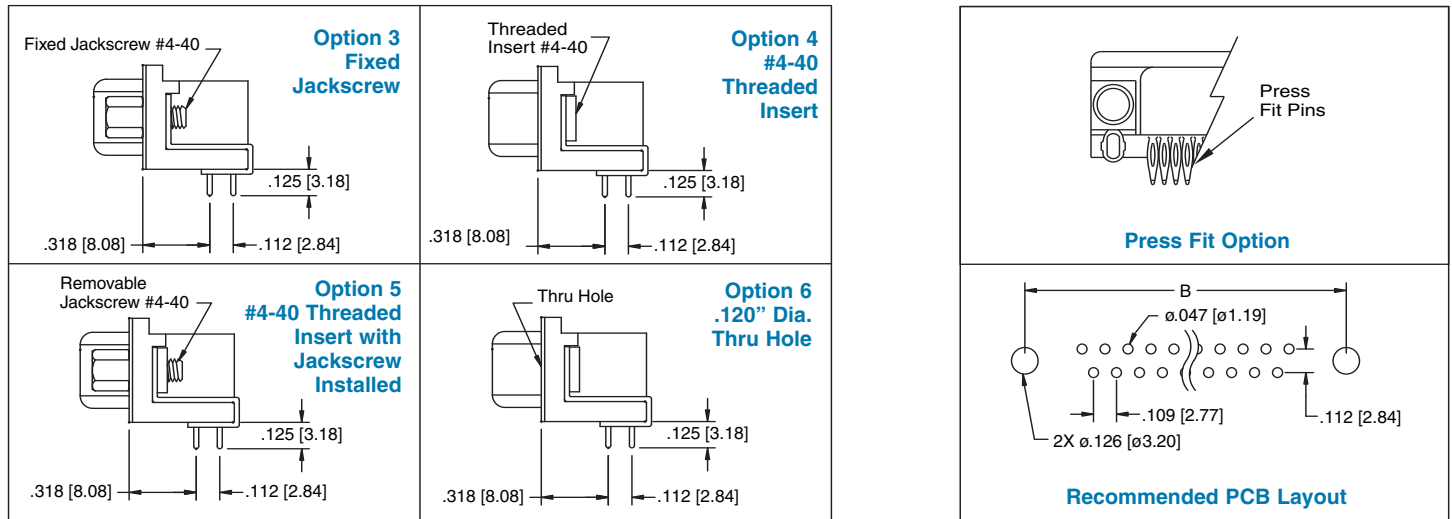
### PLUG



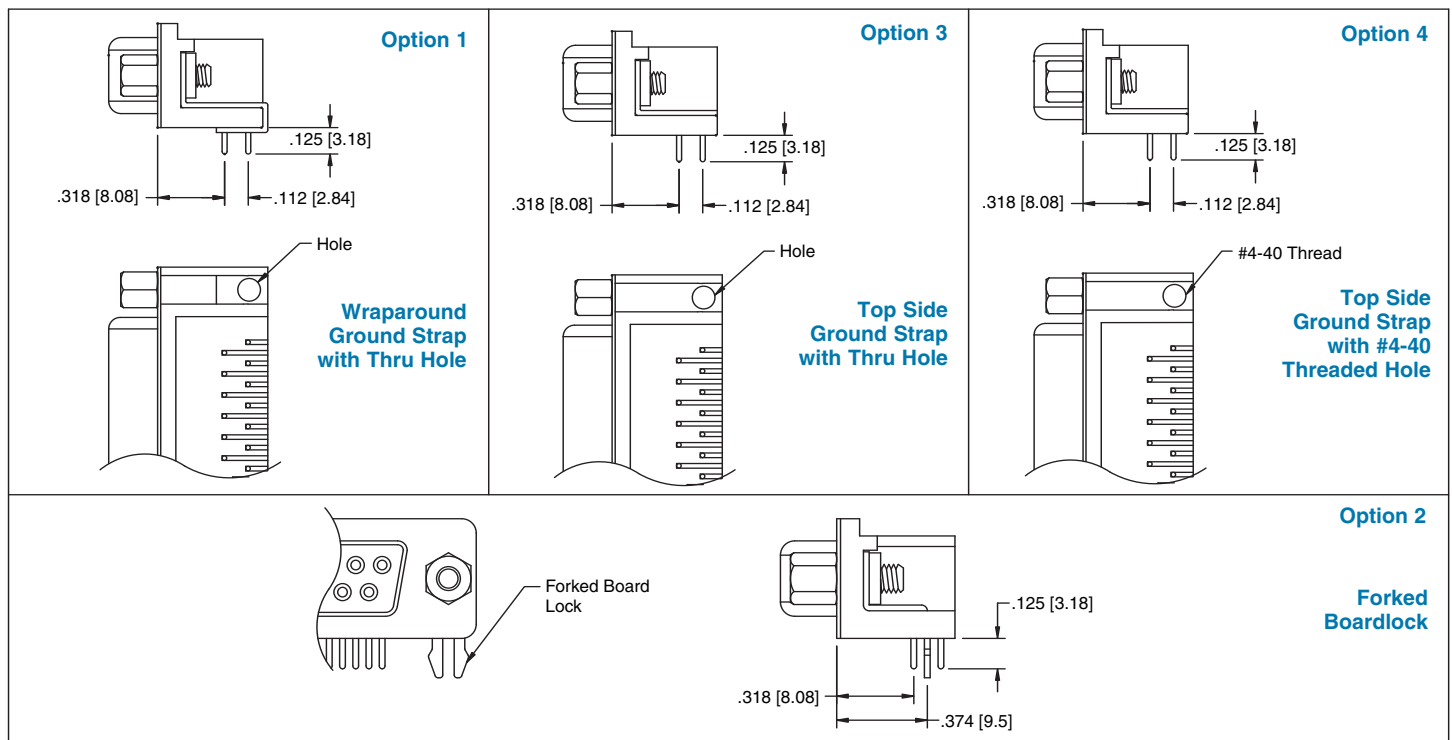
### SOCKET



### MATING FACE MOUNTING OPTIONS



### PC BOARD MOUNTING OPTIONS



Unit: Inch / mm

POSITIONS	Socket Dimensions			POSITIONS	Plug Dimensions		
	A	B	C		A	B	C
9	.643 (16.33)	.984 (24.99)	1.213 (30.81)	9	.666 (16.92)	.984 (24.99)	1.213 (30.81)
15	.971 (24.66)	1.312 (33.32)	1.541 (39.14)	15	.994 (25.25)	1.312 (33.32)	1.541 (39.14)
25	1.511 (38.38)	1.852 (47.04)	2.088 (53.04)	25	1.534 (38.96)	1.852 (47.04)	2.088 (53.04)
37	2.159 (54.84)	2.500 (63.50)	2.729 (69.32)	37	2.182 (55.42)	2.500 (63.50)	2.729 (69.32)