

SERIES MS SWITCHES

SNAP ACTION SWITCHES - MINIATURE



SPECIFICATIONS

Contact Rating:	Gold .4VA max. @ 20 VDC or VAC Max. 5 Amps @ 125/250 VAC-UL, CUL 5 (1) Amp, 250 VAC VDE
Life Expectancy:	50,000 cycles minimum
Mechanical Life:	1,000,000 cycles typical
Insulation Resistance:	100 MΩ min.
Dielectric Strength:	1,000 VAC for 60 seconds
Operating Temperature:	-25° C to 85° C (std)
Operating Force:	See Chart

MATERIALS

Switch Housing:	High Temperature PBT (UL94 V-0)
Actuator Button:	High Temperature PBT (UL94 V-0)
Contacts:	Silver (std) or Gold
Terminals:	Copper Alloy

FEATURES & BENEFITS

- ▶ Available in gold & 5 amp versions
- ▶ Wide variety of actuator, operating force & termination options

APPLICATIONS/MARKETS

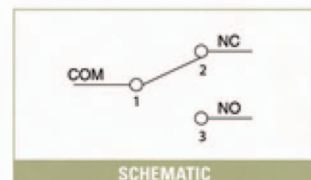
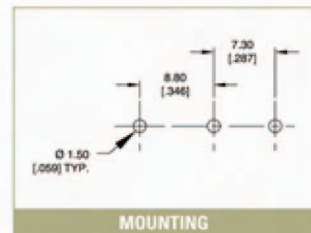
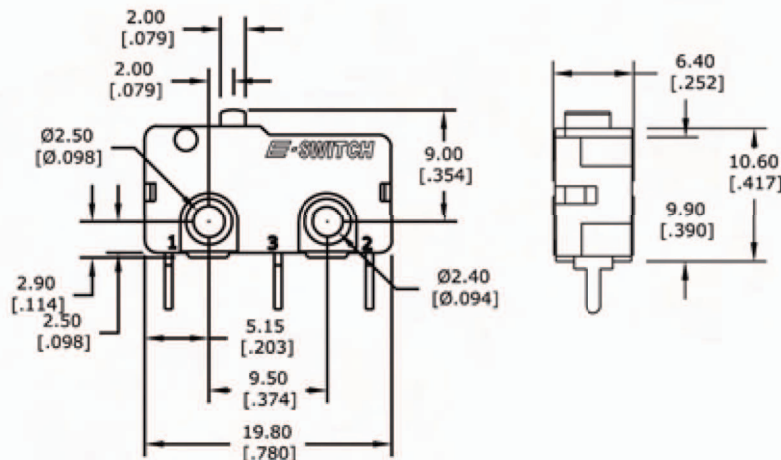
- ▶ Appliance
- ▶ Timing controls
- ▶ Vending machines
- ▶ Gaming
- ▶ Industrial controls
- ▶ Power tools

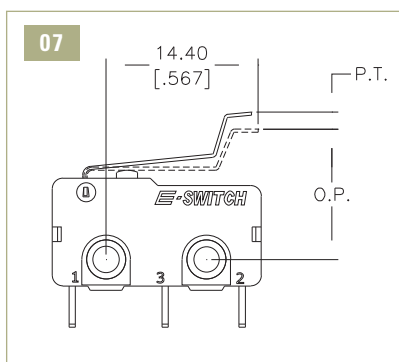
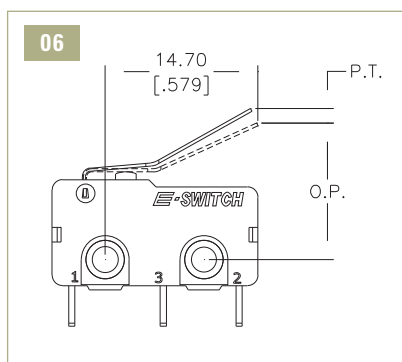
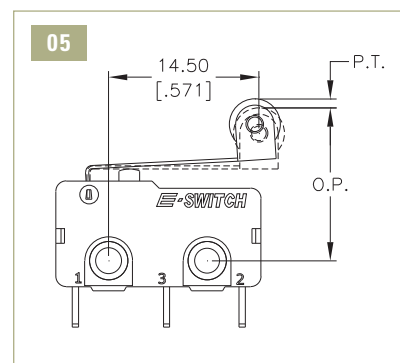
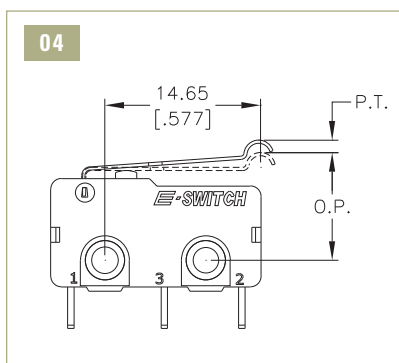
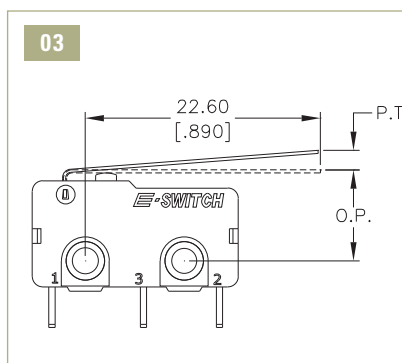
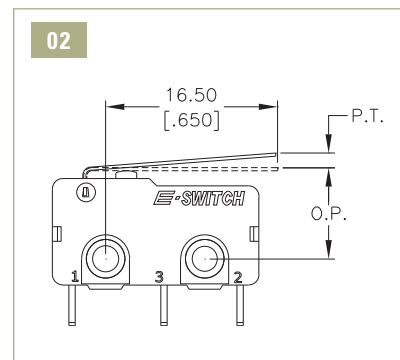
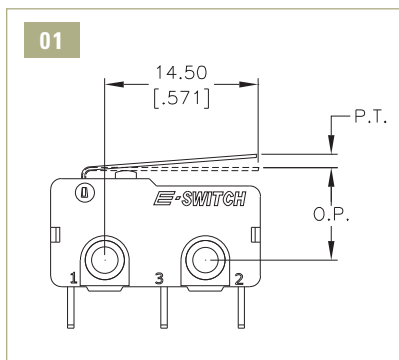
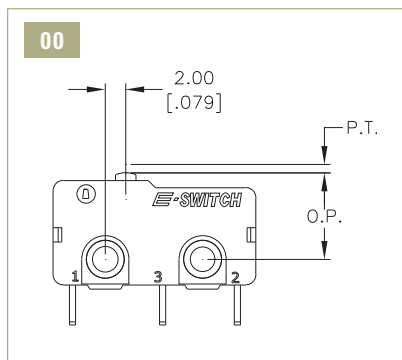
HOW TO ORDER

SERIES	OPERATING TEMP.	CURRENT RATING	ACTUATOR	OPERATING FORCE	TERMINATION	CIRCUIT
MS	085 = 85C	R1 = Gold 05 = 5A	See Chart	See Chart	S1 = Solder Lug C1 = 0.110" Quick Connect P1 = PCB Pin V1 = Right Angle PCB Pin V2 = Left Angle PCB Pin	A = SPDT C = SPST NO

▶ ▶ ▶ Example Ordering Number
MS-085-R1-00-F130-S1-A

Specifications subject to change without notice.



ACTUATOR OPTIONS


TACT SWITCHES

NAVIGATION SWITCHES

PUSHBUTTON SWITCHES

TOGGLE SWITCHES

ROCKER SWITCHES

SLIDE SWITCHES

SNAP-ACTION SWITCHES

DIP SWITCHES

KEYLOCK SWITCHES

ROTARY SWITCHES

DETECTOR SWITCHES

CAP OPTIONS

ACTUATOR AND OPERATING FORCE CHART

Actuator	Actuation/Return Force									
	60+/-25	80+/-25	95+/-30	115+/-40	130+/-40	150+/-40	175+/-45	190+/-45	250+/-50	295+/-55
00	60+/-25	80+/-25	95+/-30	115+/-40	130+/-40	150+/-40	175+/-45	190+/-45	250+/-50	295+/-55
01	20+/-8	25+/-12	30+/-12	35+/-20	40+/-20	45+/-20	50+/-20	55+/-25	70+/-25	85+/-30
02	15+/-6	20+/-8	25+/-12	30+/-12	35+/-20	40+/-20	45+/-20	50+/-20	65+/-25	75+/-25
03	10+/-5	15+/-6	20+/-8	25+/-12	30+/-12	35+/-20	40+/-20	55+/-25	60+/-25	---
04	15+/-6	20+/-8	25+/-12	30+/-12	35+/-20	40+/-20	45+/-20	50+/-20	65+/-25	75+/-25
05	15+/-6	20+/-8	25+/-12	30+/-12	35+/-20	40+/-20	45+/-20	50+/-20	65+/-25	75+/-25
06	15+/-6	20+/-8	25+/-12	30+/-12	35+/-20	40+/-20	45+/-20	50+/-20	65+/-25	75+/-25
07	15+/-6	20+/-8	25+/-12	30+/-12	35+/-20	40+/-20	45+/-20	50+/-20	65+/-25	75+/-25

Actuator	Pre-Travel	Operating Position
00	1.1 max	8.5+/-0.3
01	3.6 max	9.1+/-0.8
02	3.8 max	9.1+/-0.8
03	4.4 max	9.5+/-0.8
04	3.2 max	10.9+/-1.0
05	4.0 max	14.9+/-1.0
06	4.1 max	13.9+/-1.5
07	5.0 max	12.5+/-1.5

PT= Pretravel OP= Operating Point OT= Over Travel



SERIES MS SWITCHES

SNAP ACTION SWITCHES - MINIATURE

TACT SWITCHES

NAVIGATION SWITCHES

PUSHBUTTON SWITCHES

TOGGLE SWITCHES

ROCKER SWITCHES

SLIDE SWITCHES

SNAP-ACTION SWITCHES

DIP SWITCHES

KEYLOCK SWITCHES

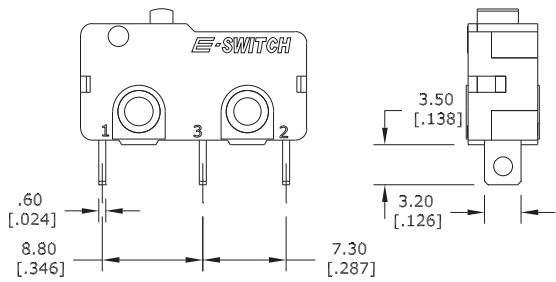
ROTARY SWITCHES

DETECTOR SWITCHES

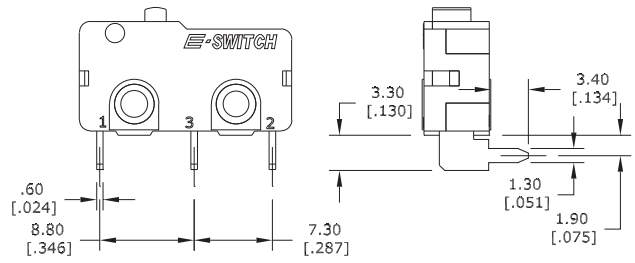
CAP OPTIONS

TERMINATION OPTIONS

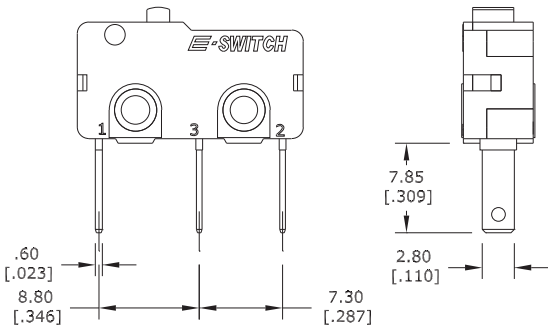
S1 SOLDER LUG



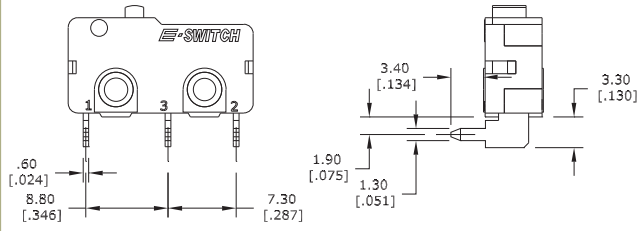
V1 RIGHT ANGLE PCB PIN



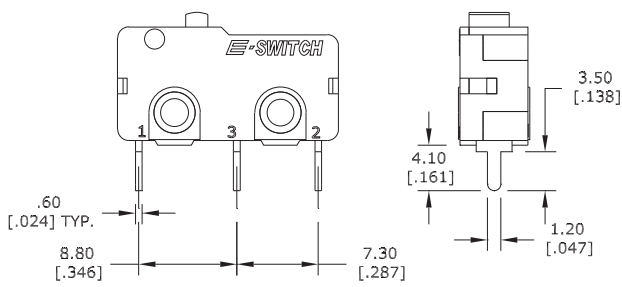
C1 0.110" QUICK CONNECT



V2 LEFT ANGLE PCB PIN



P1 PCB TERMINALS



Mouser Electronics

Authorized Distributor

Click to View Pricing, Inventory, Delivery & Lifecycle Information:

E-Switch:

[MS0850500F150C1A](#) [MS0850505F050P1A](#) [MS0850502F050S1A](#) [MS0850503F010S1A](#) [MS0850503F040S1A](#)
[MS0850502F030P1A](#) [MS0850501F070S1A](#) [MS0850504F035P1A](#) [MS0850507F040S1A](#) [MS0850503F025P1A](#)
[MS0850500F080S1A](#) [MS0850500F060C1A](#) [MS0850503F055P1A](#) [MS0850503F010P1A](#) [MS0850500F130P1A](#)
[MS0850503F025S1A](#) [MS0850504F035S1A](#) [MS0850505F075S1A](#) [MS0850504F065C1A](#) [MS0850504F020S1A](#)
[MS0850502F020S1A](#) [MS0850504F035C1A](#) [MS0850500F060S1A](#) [MS0850500F295S1A](#) [MS0850500F080P1A](#)
[MS0850500F080C1A](#) [MS0850500F150P1A](#) [MS0850501F045S1A](#) [MS0850500F250S1A](#) [MS0850501F025C1A](#)
[MS0850507F025C1A](#) [MS0850505F050C1A](#) [MS0850504F045P1A](#) [MS0850505F045S1A](#) [MS0850505F035C1A](#)
[MS0850500F060S1C](#) [MS0850501F025V1A](#) [MS0850502F025S1A](#) [MS0850502F030C1A](#) [MS0850502F045V2A](#)
[MS0850504F050S1A](#) [MS0850506F020P1C](#) [MS0850506F035V1A](#) [MS0850506F040P1A](#) [MS085R101F040S1A](#)
[MS085R101F070S1A](#) [MS085R102F050S1A](#) [MS085R104F035S1A](#) [MS085R105F040S1A](#) [MS085R105F040S1C](#)
[MS085R105F040V2A](#) [MS0850500F060C1C](#) [MS0850500F080V2A](#) [MS0850500F150V1A](#) [MS0850501F025P1C](#)
[MS0850501F035V1A](#) [MS0850501F045V1A](#) [MS0850502F050V2A](#) [MS0850502F075S1A](#) [MS0850503F025V1A](#)
[MS0850504F020S1C](#) [MS0850504F025P1C](#) [MS0850504F030V1C](#) [MS0850504F035S1C](#) [MS0850504F035V1A](#)
[MS0850505F040V2A](#) [MS0850505F065C1A](#) [MS0850506F035V1C](#) [MS0850506F035V2A](#) [MS0850506F065C1C](#)
[MS085R100F080C1C](#) [MS085R100F150C1A](#) [MS085R100F150V1A](#) [MS085R100F295P1A](#) [MS085R101F020S1C](#)
[MS085R101F035V1A](#) [MS085R101F040S1C](#) [MS085R101F045P1C](#) [MS085R101F070C1A](#) [MS085R101F085S1A](#)
[MS085R102F040C1C](#) [MS085R102F045P1A](#) [MS085R103F015V1A](#) [MS085R103F055C1A](#) [MS085R103F055V2A](#)
[MS085R104F035C1A](#) [MS085R104F045V1A](#) [MS085R105F075S1C](#) [MS085R107F025C1A](#) [MS085R107F040S1A](#)
[MS0850506F075P1A](#) [MS085R104F075C1C](#) [MS085R104F030S1A](#) [MS0850505F020C1C](#) [MS0850500F115S1A](#)
[MS0850500F250C1A](#) [MS085R104F075C1A](#) [MS0850506F035P1A](#) [NUT.FOR.RP3502MBRED](#) [MS0850506F030P1C](#)