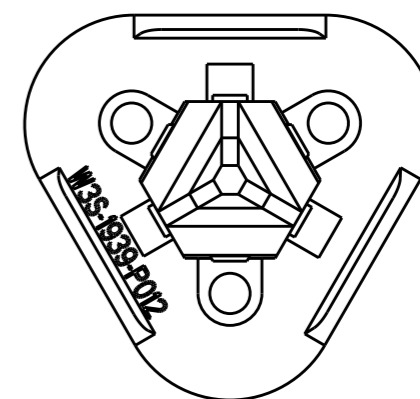
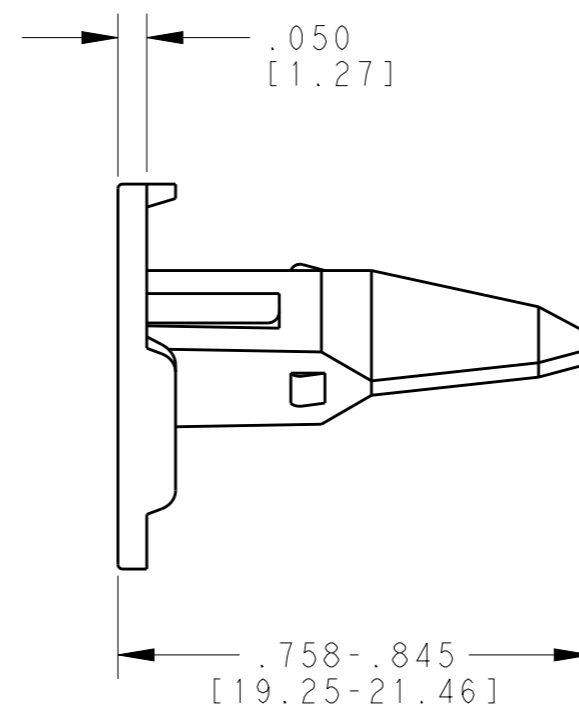
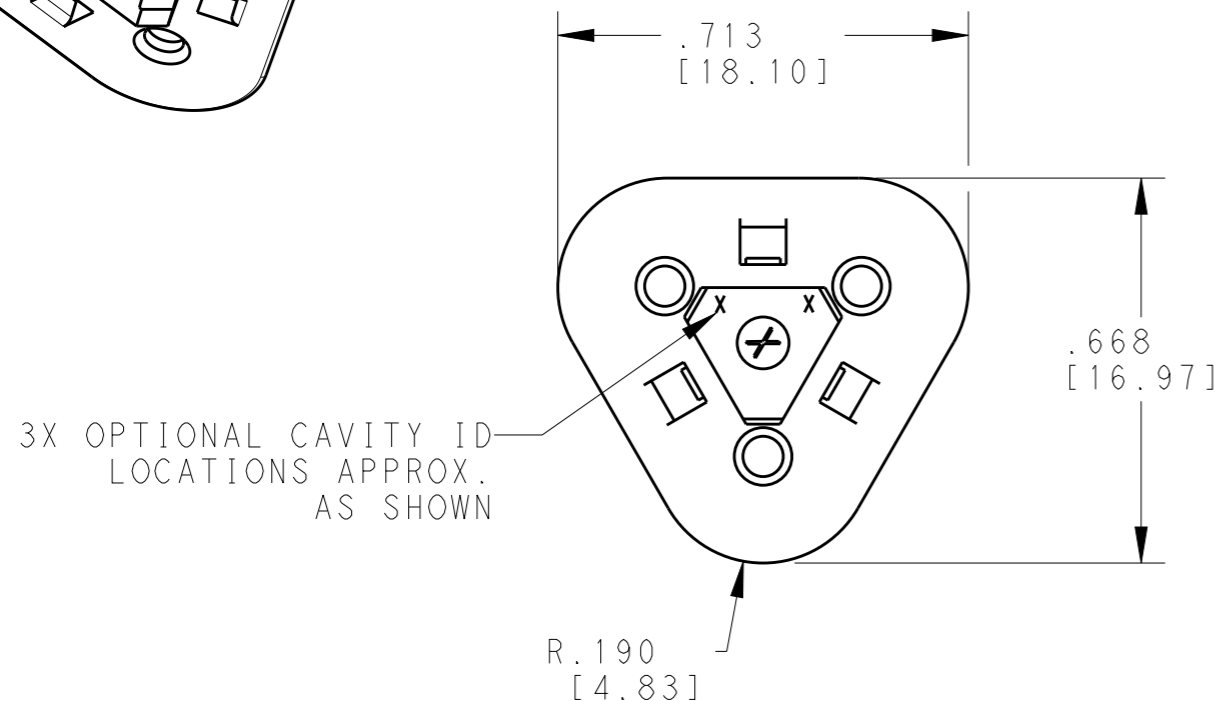
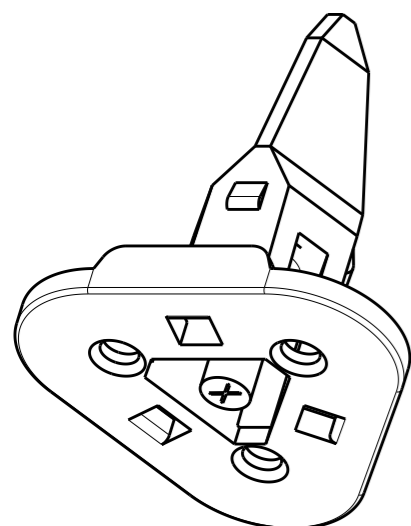


THIS DRAWING IS UNPUBLISHED
 RELEASED FOR PUBLICATION 2016
 © COPYRIGHT 1999 BY TE CONNECTIVITY ALL RIGHTS RESERVED.

LOC		DIST		REVISIONS		
P	LTR	DESCRIPTION	DATE	DWN	APVD	
	NC	NEW RELEASE PER E.O. P15955	11MAR1999	ST	RDR	
	A	REVISED PER ECO-16-005273	05APR2016	JA	DM	



TE INTERNAL PN	DEUTSCH PN
W3S-1939-P012	W3S-1939-P012

2 MATERIAL: PBT GF30 (BLUE)

1. THIS WEDGE MAY BE USED WITH DT06-3S PLUG WITH SEAL RETENTION MODIFICATION. CONSULT FACTORY FOR MODIFICATION AND APPLICATION.

NOTES:

THIS DRAWING IS A CONTROLLED DOCUMENT.		DWN	S. THEIS	05MAR1999	 TE Connectivity							
DIMENSIONS: INCHES [mm]		CHK	S. BEARD	10MAR1999								
TOLERANCES UNLESS OTHERWISE SPECIFIED:		APVD	R. REED	11MAR1999								
0 PLC ± 1 PLC ± 2 PLC ± 3 PLC ±.025 [0.64] 4 PLC ± ANGLES ±		PRODUCT SPEC	108-151009									
MATERIAL	2	FINISH	0425-017-0000		NAME	WEDGE LOCK 1939 -P012 MOD FOR 3 WAY PLUG COLOR: BLUE DT SERIES						
CUSTOMER DRAWING		WEIGHT	0.94g		SIZE	A3	CAGE CODE	4AFU8	DRAWING NO	W3S-1939-P012	RESTRICTED TO	-
		SCALE		3:1	SHEET		1	OF	1	REV	A	