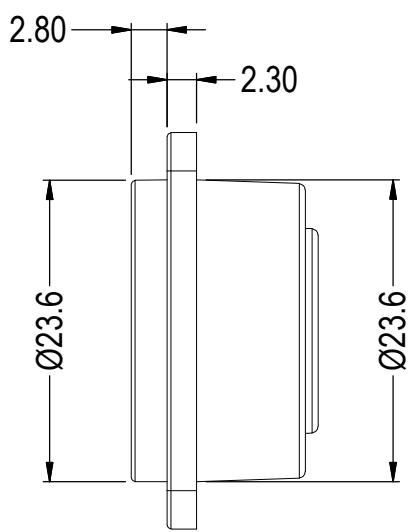
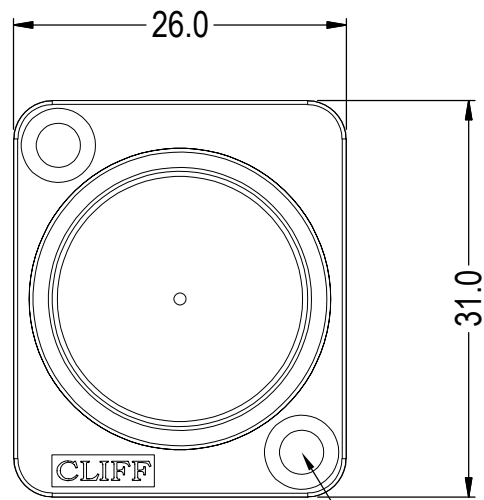
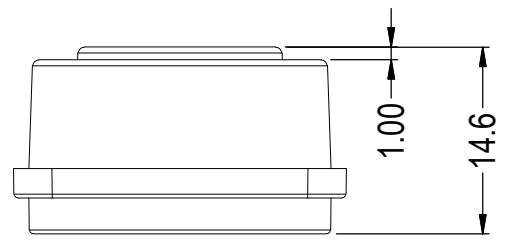
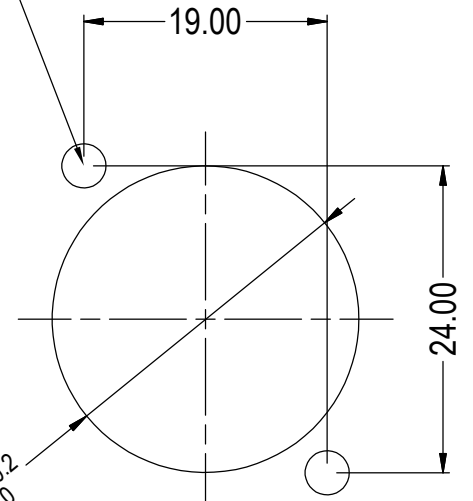
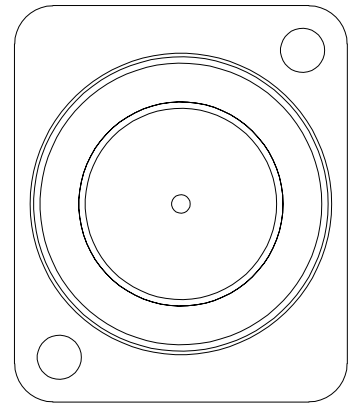


| PART NUMBER | FINISH       | FIXING HOLE TYPE     |
|-------------|--------------|----------------------|
| CP30400M    | NICKEL PLATE | Ø3.5 CSK 82° x Ø5.85 |
| CP30400MB   | MATTE BLACK  | Ø3.5 CSK 82° x Ø5.85 |
| CP30400M3   | NICKEL PLATE | M3 HOLES             |
| CP30400MB3  | MATTE BLACK  | M3 HOLES             |

| ISS. | AMEND  | DATE     |
|------|--------|----------|
| 1    | ISSUED | 05/07/18 |

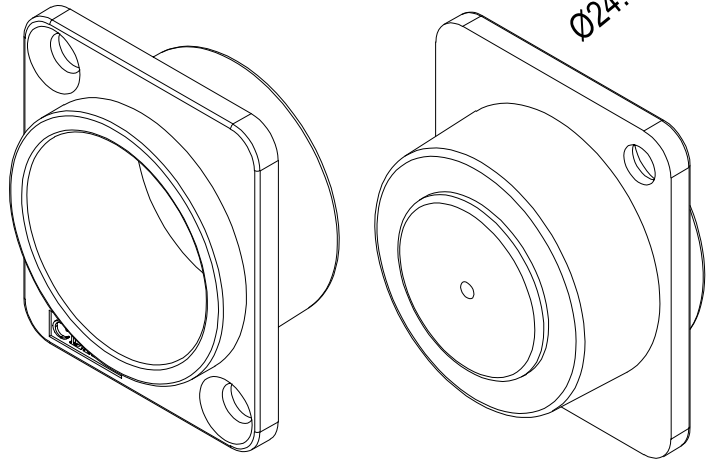
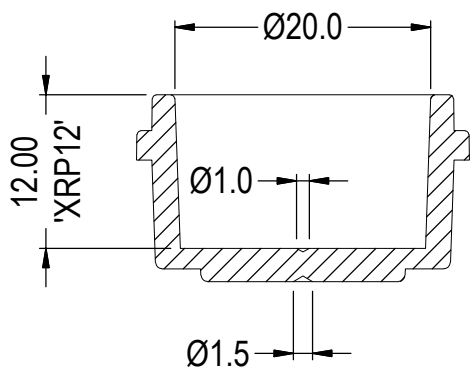


CAN BE FRONT OR REAR MOUNTED. HOLE SIZE TO SUIT



PANEL CUTOUT  
MAXIMUM PANEL THICKNESS 3mm

Ø3.5 CSK 82° x Ø5.85 (2x)  
OR M3x0.5 (2x) - SEE TABLE



**RoHS**  
COMPLIANT

**TOLERANCE**  
NO DEC. PLACE ± 0.50  
1 DEC. PLACE ± 0.20  
2 DEC. PLACE ± 0.10  
HOLE Ø ± 0.10  
ANGLES ± 1/2°  
UNLESS OTHERWISE STATED

DO NOT SCALE

**Cliff Electronic Components Ltd.**  
76 Holmethorpe Avenue, Holmethorpe Industrial Estate,  
Redhill, Surrey, RH1 2PF, England, UK  
Tel: 01737-771375 Fax: 01737-766012 Website: www.cliffuk.co.uk

DIMENSIONS IN MILLIMETERS UNLESS OTHERWISE STATED. WORK TO DIMENSIONS. REMOVE ALL BURRS. IF IN DOUBT ASK.

3rd ANGLE PROJECTION:

MATERIAL: ZINC ALLOY

TITLE: XRP12 METAL BLANK

FINISH: NICKEL PLATE + MATTE BLACK

THE CONTENTS OF THIS DOCUMENT MUST NOT BE COPIED OR DISCLOSED TO A 3rd PARTY WITHOUT WRITTEN PERMISSION OF CLIFF UK. © 2018

DRAWN: T.J.O.

APPROVED: DPJ

DRWG. No. **CP30400M** FORM: A4DRWG1