

1-1719506-1 ✓ ACTIVE

AMP | AMP MCP Connector System

TE Internal #: 1-1719506-1

Automotive Terminals, Receptacle, Mating Tab Width 2.8 mm [.11 in], Tab Thickness .8 mm [.031 in], 12 AWG Wire Size, AMP MCP Connector System

[View on TE.com >](#)



Terminals & Splices > Automotive Terminals > AMP MCP, RECEPTACLE AND TAB



Terminal Type: **Receptacle**

Mating Tab Width: **2.8 mm [.11 in]**

Mating Tab Thickness: **.8 mm [.031 in]**

Terminal Transmits: **0 – 24 A (Low Power)**

Wire Size: **12 AWG**

[All AMP MCP, RECEPTACLE AND TAB \(123\)](#)

Features

Product Type Features

Receptacle Style	180°
Sealable	Yes
Primary Locking Feature	Locking Lance

Body Features

Terminal Seal Type	Single Wire Seal (SWS)
--------------------	------------------------

Contact Features

Contact Size	2.8mm
Contact Fabrication	Stamped & Formed
Wire Contact Termination Area Plating Material	Tin
Typical Current Rating	22 A
Crimp Type	F-Crimp
Terminal Type	Receptacle
Mating Tab Width	2.8 mm[.11 in]
Mating Tab Thickness	.8 mm[.031 in]
Interface Plating	Tin (Sn)

Termination Features



Termination Method to Wire & Cable	Crimp
------------------------------------	-------

Product Terminates To	Wire
-----------------------	------

Dimensions

Compatible Insulation Diameter Range	3 – 3.8 mm [.117 – .148 in]
--------------------------------------	-----------------------------

Wire Size	3 mm ²
-----------	-------------------

Wire Size Search	12 AWG
------------------	--------

Usage Conditions

Insulation Option	Uninsulated
-------------------	-------------

Operating Temperature (Max)	80 °C, 85 °C, 90 °C, 100 °C, 105 °C, 110 °C, 120 °C, 125 °C, 130 °C [176 °F][185 °F][194 °F][212 °F][221 °F][230 °F][248 °F][257 °F][266 °F]
-----------------------------	--

Operating Temperature Range	-40 – 130 °C [-40 – 266 °F]
-----------------------------	-----------------------------

Operation/Application

Compatible With Wire Base Material	Copper
------------------------------------	--------

Industry Standards

Compatible With Agency/Standards Products	LV214
---	-------

Packaging Features

Packaging Quantity	4000
--------------------	------

Packaging Method	Reel
------------------	------

Other

Terminal Transmits	0 – 24 A (Low Power)
--------------------	----------------------

Product Compliance

[For compliance documentation, visit the product page on TE.com>](#)

EU RoHS Directive 2011/65/EU	Compliant
------------------------------	-----------

EU ELV Directive 2000/53/EC	Compliant
-----------------------------	-----------

China RoHS 2 Directive MIIT Order No 32, 2016	No Restricted Materials Above Threshold
---	---

EU REACH Regulation (EC) No. 1907/2006	Current ECHA Candidate List: JAN 2024 (240) Candidate List Declared Against: JAN 2024 (240) Does not contain REACH SVHC
--	---

Halogen Content	Low Halogen - Br, Cl, F, I < 900 ppm per homogenous material. Also BFR/CFR/PVC
-----------------	--

Free


Solder Process Capability

Not applicable for solder process capability

Product Compliance Disclaimer

This information is provided based on reasonable inquiry of our suppliers and represents our current actual knowledge based on the information they provided. This information is subject to change. The part numbers that TE has identified as EU RoHS compliant have a maximum concentration of 0.1% by weight in homogenous materials for lead, hexavalent chromium, mercury, PBB, PBDE, DBP, BBP, DEHP, DIBP, and 0.01% for cadmium, or qualify for an exemption to these limits as defined in the Annexes of Directive 2011/65/EU (RoHS2). Finished electrical and electronic equipment products will be CE marked as required by Directive 2011/65/EU. Components may not be CE marked. Additionally, the part numbers that TE has identified as EU ELV compliant have a maximum concentration of 0.1% by weight in homogenous materials for lead, hexavalent chromium, and mercury, and 0.01% for cadmium, or qualify for an exemption to these limits as defined in the Annexes of Directive 2000/53/EC (ELV). Regarding the REACH Regulation, the information TE provides on SVHC in articles for this part number is based on the latest European Chemicals Agency (ECHA) 'Guidance on requirements for substances in articles' posted at this URL: <https://echa.europa.eu/guidance-documents/guidance-on-reach>

Compatible Parts



TE Part # CAT-AM7-FRB69
Sealed Fuse and Relay Boxes



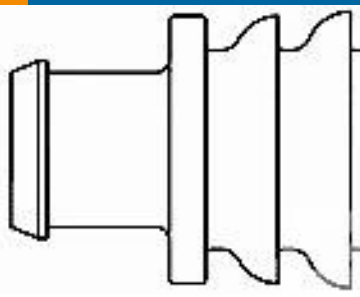
TE Part # 828922-1
2,5MM CAVITY PLUG FOR 5,4MM DI



TE Part # 828905-1
SINGLE-WIRE-SEAL(5MM HOLE)



TE Part # 1326455-1
ASSY, PLUG, 2P SEALED, 2.8 MCP



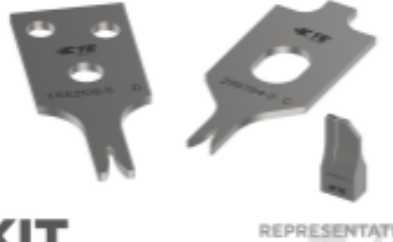
TE Part # 282536-1
S.WAY SEAL F.JPT CONTACT 2.5MM



TE Part # 2836789-1
OCEAN_2.0_Applicator-S-110F2000



TE Part # 2836789-2
OCEAN_2.0_Applicator-S-110F2000



TE Part # 7-2836789-7
OCEAN_2.0_SPARE_PART_KIT-110F2000



TE Part # 2293416-1
ISO FUSE AND RELAY, 38 POSNUNSLD BASE

Also in the Series | **AMP MCP Connector System**



Automotive Connector Caps & Covers (23)



Automotive Connector Locks & Position Assurance (6)



Automotive Housings (332)



Automotive Terminals (129)



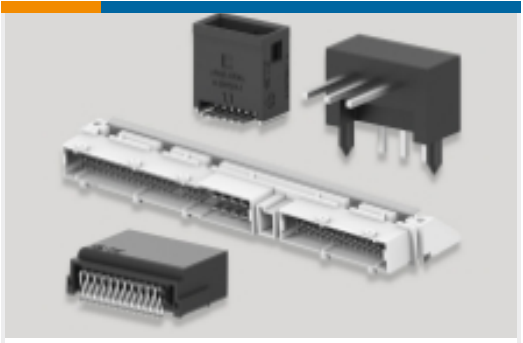
Connector Seals & Cavity Plugs (7)



Insertion & Extraction Tools (13)



Other Automotive Connector Accessories (2)



PCB Headers & Receptacles (28)

Customers Also Bought



TE Part #40668
RING TERMINAL 22-16 AWG BR



TE Part #2297813-3
BASE ASSY, 27 POSN ISO FUSE AND RELAY



TE Part #DTMH04-3PA
REC, 3P, BLK, N, HI TEMP, A



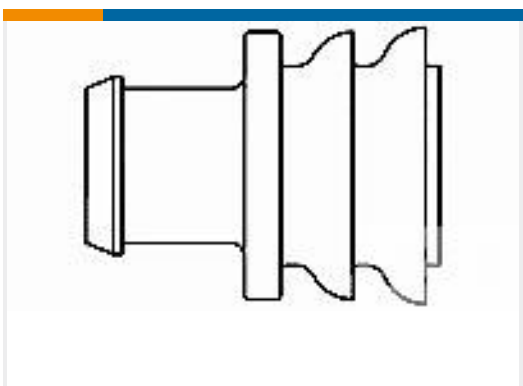
TE Part #1241414-1
AMP MCP 6.3/4.8K, CONTACT, SWS



TE Part #964740-1
KONTAKTSICHERUNG24P



TE Part #1544333-1
LANGUETTE 8MM NG1



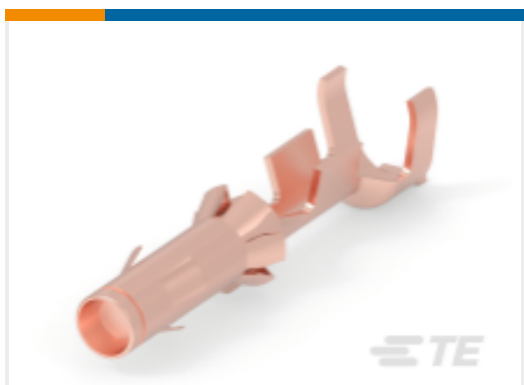
TE Part #282536-1
S.WAY SEAL F.JPT CONTACT 2.5MM



TE Part #2098164-3
Cover, 60 Pos, No Top Side Fuse Graphic



TE Part #2319023-1
8POS,AMP MCP 2.8,REC HSG ASSY, SLD



TE Part #1-1418497-0
DIA 1.5 SOCK CON TERMINAL

Documents



Product Drawings

AMP MCP 2.8, CONTACT SWS

English

CAD Files

Customer View Model

[ENG_CVM_1-1719506-1_J3.3d_igs.zip](#)

English

Customer View Model

[ENG_CVM_1-1719506-1_J3.3d_stp.zip](#)

English

Customer View Model

[ENG_CVM_1-1719506-1_J3.2d_dxf.zip](#)

English

3D PDF

English

By downloading the CAD file I accept and agree to the [Terms and Conditions](#) of use.

Datasheets & Catalog Pages

HDSCS Catalog

English

Product Specifications

Application Specification

English

Application Specification

English

Application Specification

German