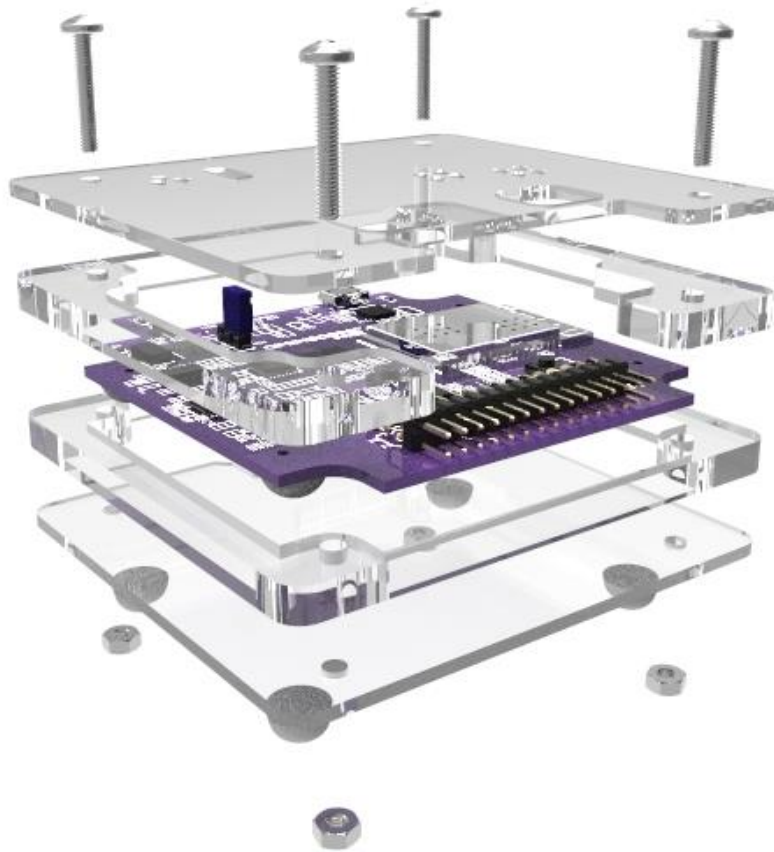
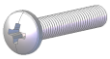




Digilent OpenScope MZ Acrylic Case Assembly Manual



Hardware

Image	Description	Quantity
	Pan Head Philips Screw Thread: M3 x 0.5mm, Length: 17 mm	4
	Hex Nut Thread: M3 x 0.5mm	4
	Transparent Rubber Foot OD: 0.38", Height: 0.15"	4

Tools

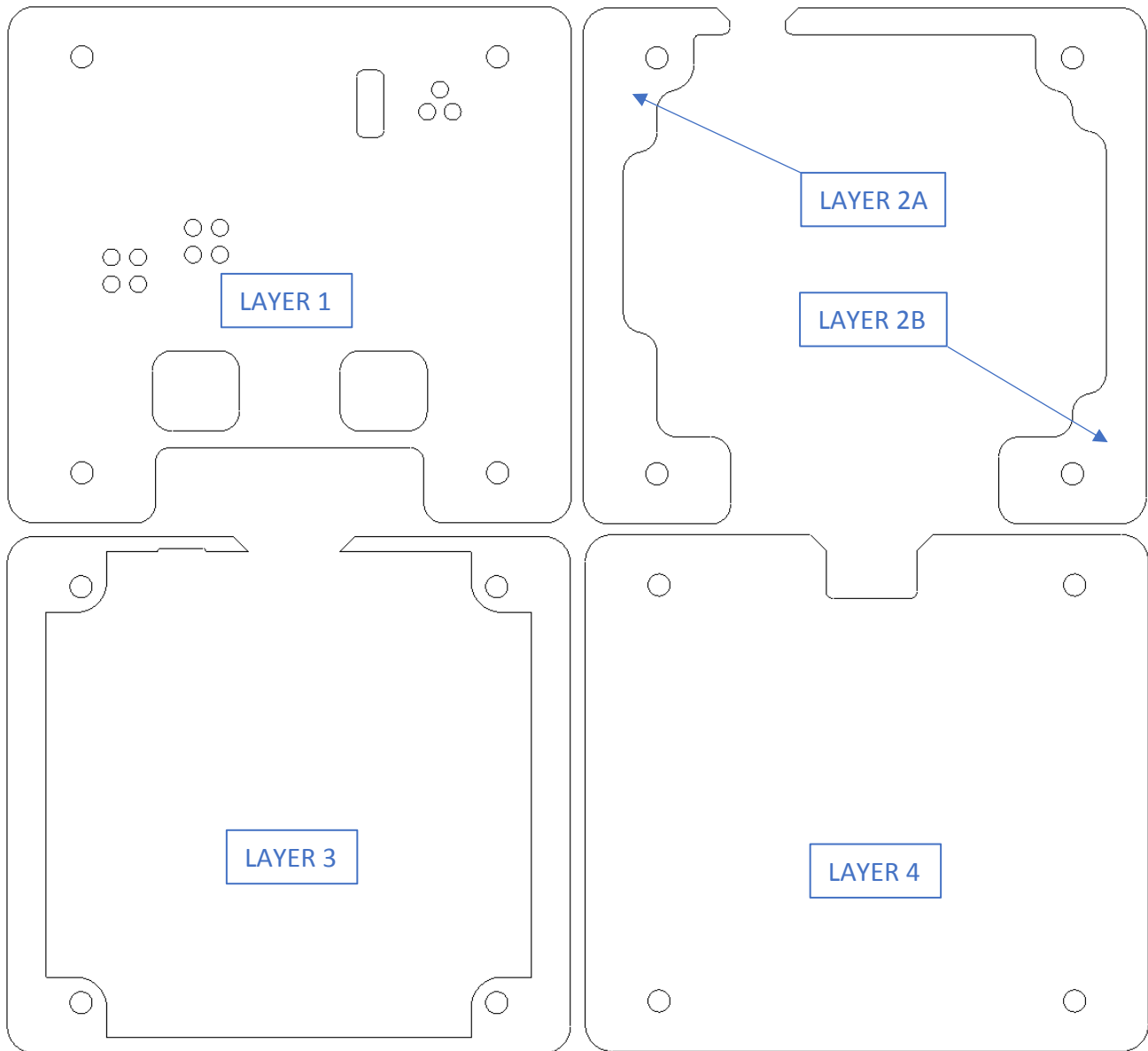
Philips Screwdriver



Acrylic Parts

With this printed sheet, place the four acrylic sheets accordingly so that they align with the sketched outline. Make sure that the holes align.

Top View

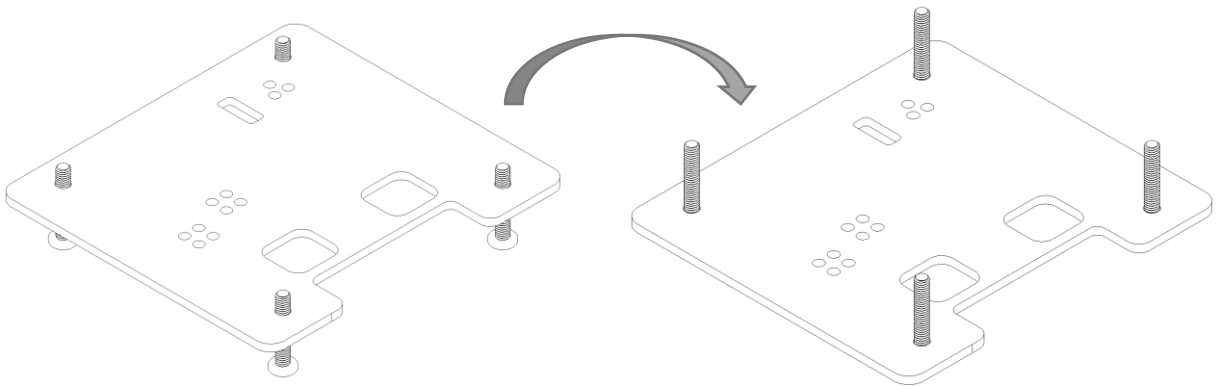


Assembly Instructions

NOTE: For simplicity, the acrylic case can be assembled upside down on a counter top. Do not pick up the case from the counter top until the final step, otherwise the screws will fall out of place. Pay attention on each layer to see which side is up throughout the assembly instructions.

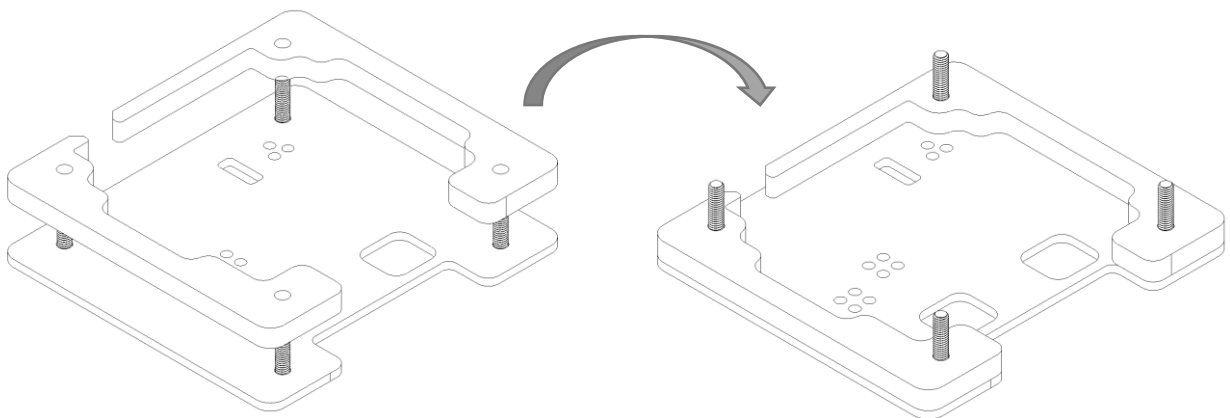
Step 1:

Place the four screws through the screw holes on LAYER 1, then lay the acrylic piece along with the screws on a counter top surface so that the screw heads are touching the counter.



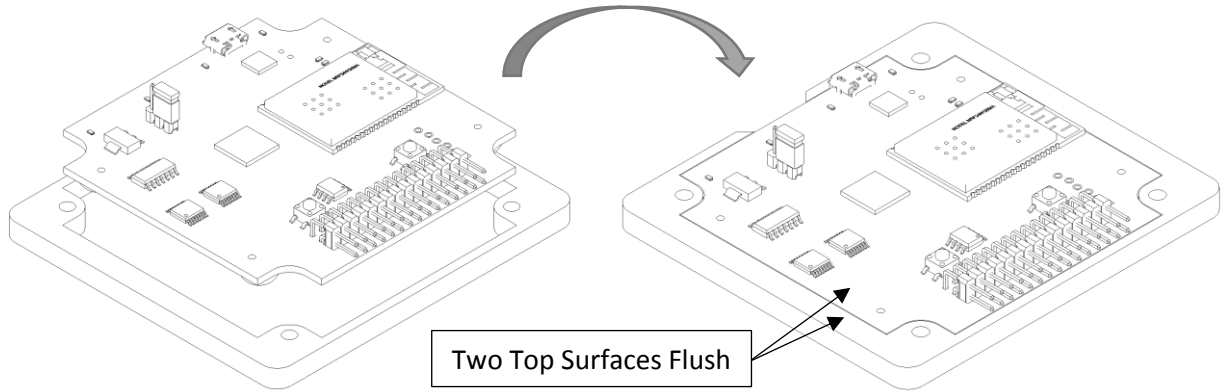
Step 2:

Slide LAYER 2A and LAYER 2B through the screw holes as shown below, keeping the case still on the counter top. Set this assembly aside, it will be needed once again in Step 4.

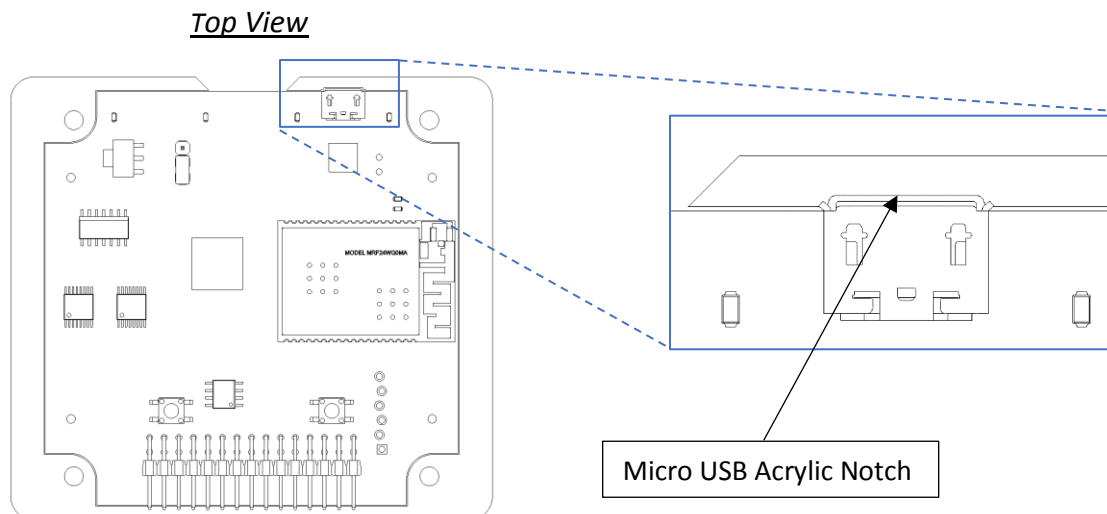


Step 3:

With the previous assembly aside, LAYER 3 will be assembled separately first, and then will be included with the rest of the case in Step 4. Using Layer 3 and the OpenScope MZ board, carefully place the OpenScope MZ board within the acrylic groove without bending the acrylic. Make sure that the top surface of the board is flush with the surface of the acrylic.

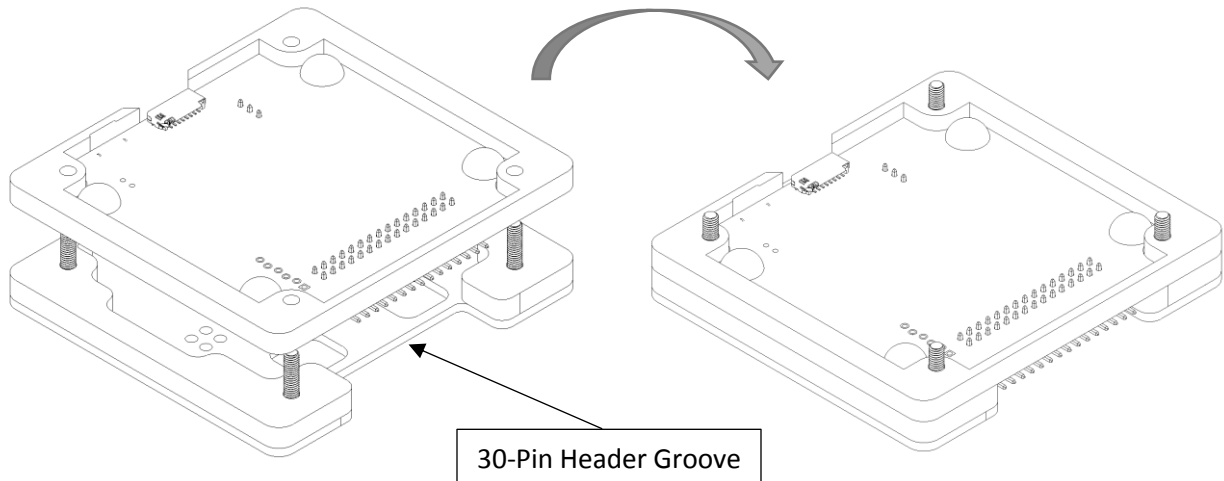


Make sure the micro USB connector lines up with the micro USB notch on the acrylic piece, this will ensure the correct orientation.



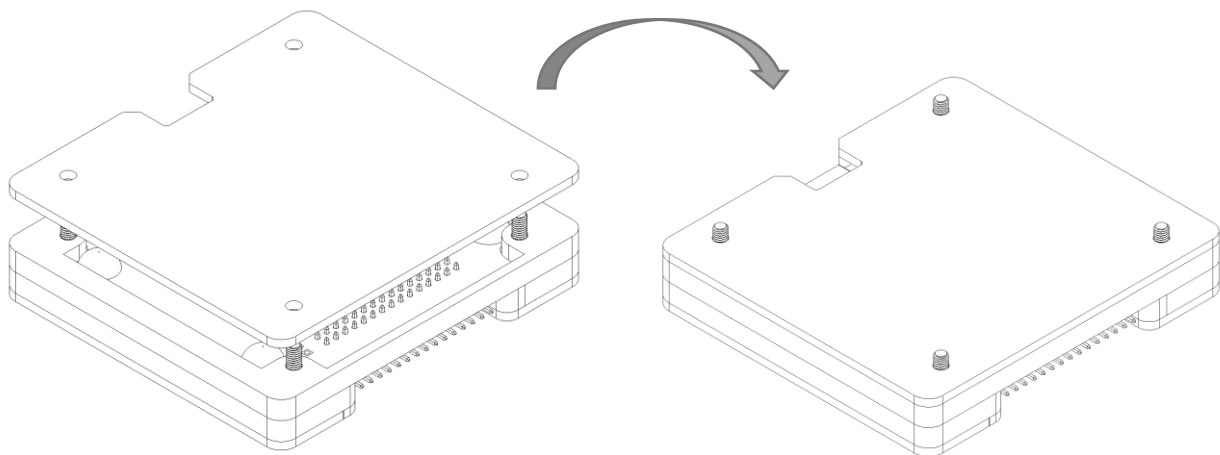
Step 4:

Using the assembled LAYER 3 and the OpenScope MZ board from Step 3, combine LAYER 3 to the rest of the acrylic pieces as shown below. Make sure that the 30-pin header is positioned inside the groove. Notice that the OpenScope MZ is upside down when assembled, that is intended.

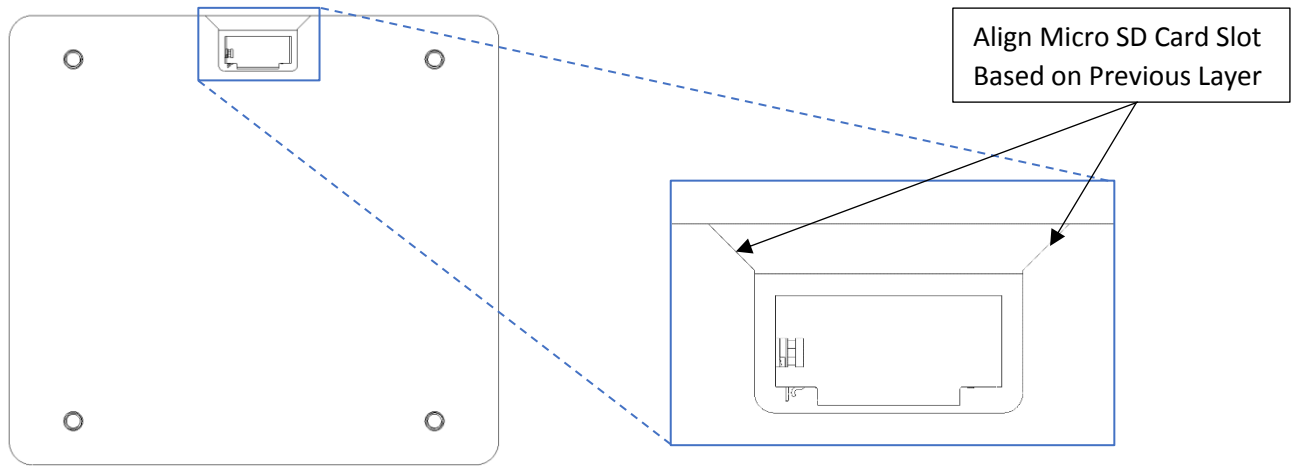


Step 5:

With the last acrylic piece, align LAYER 4 with the rest of the case as shown in the image below.

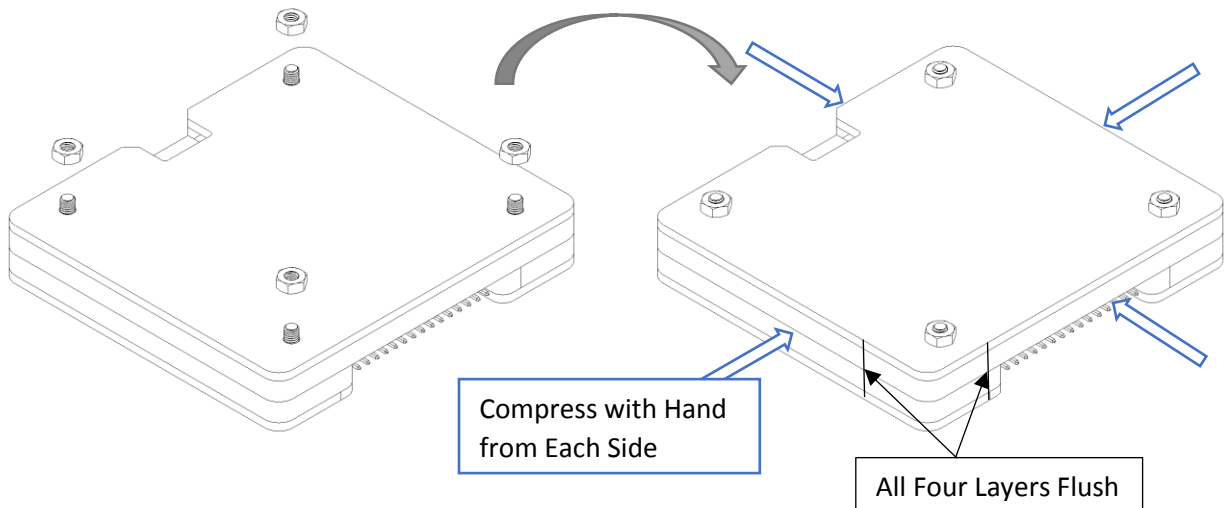


Pay attention to the micro SD card cutout and align the acrylic piece so that they lay flush along the slot. If you notice that they are not flush, flip the LAYER 4 and see if it fixes the issue.



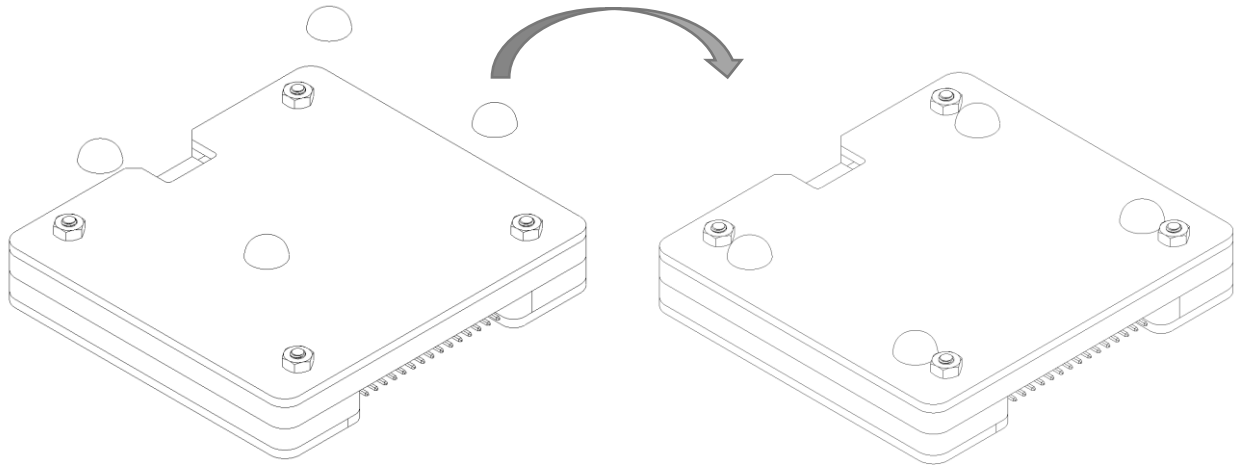
Step 6:

With the provided hex nuts, screw on the nuts to the ends of the screws by hand, and then align the four layers so that they remain flush on all four sides. Do this by gripping your hand together with your fingers located on each side. Finish tighten the screws with the Philips screw driver.

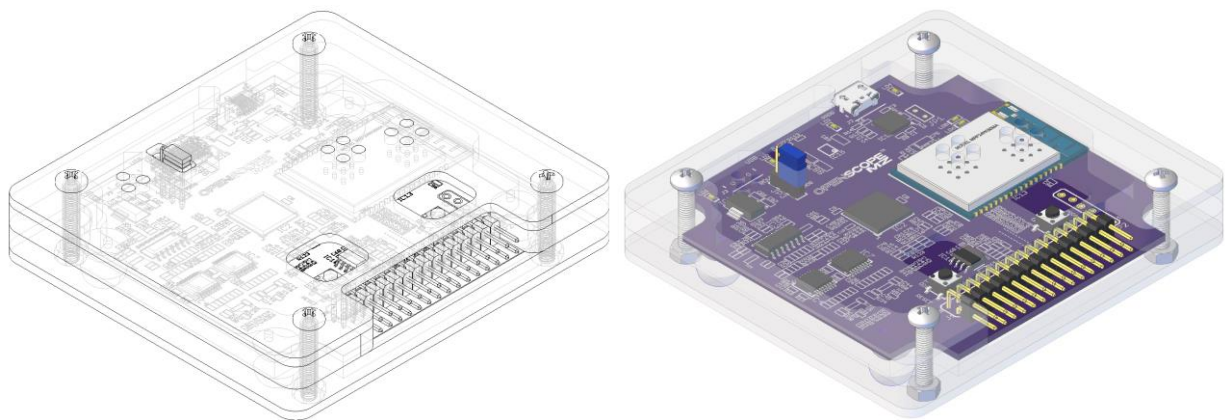


Step 7:

Stick on the rubber feet to the surface of the last layer based on the position of the rubber feet on the bottom of the OpenScope MZ board.



All Done!



Mouser Electronics

Authorized Distributor

Click to View Pricing, Inventory, Delivery & Lifecycle Information:

Digilent:

[240-133](#) [240-113](#)