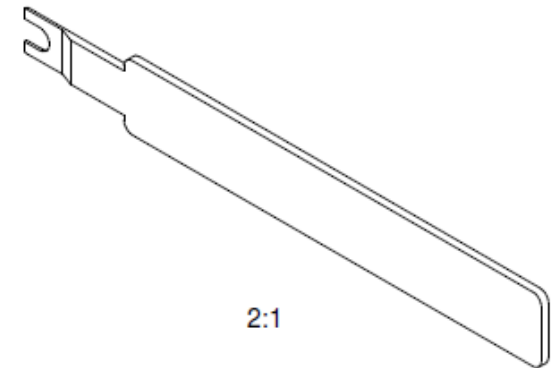
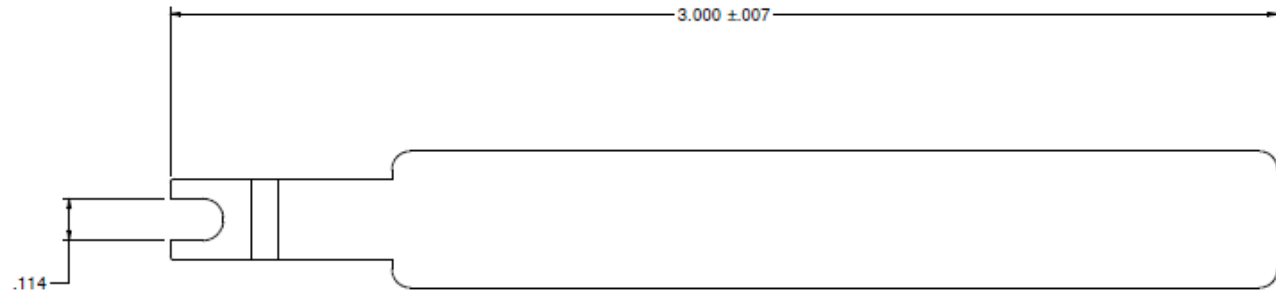
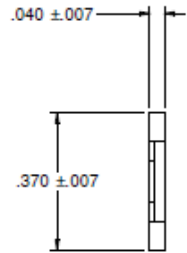


PART NUMBER	MATERIAL
125-0000-900	HIGH SPEED STEEL

REV	ECO	DATE
1	ECO-13-0009	04/09/13
2	ECO-14-0285	11/25/14
3	ECO-17-0620	06/21/17



NOTES:

1. WRAPPED WITH BUBBLE SHEET AND PACKAGE 1 PCS PER BAG .

	SEE NOTE	Model No.	Title: SMPM CABLED CONNECTOR REMOVAL TOOL	
	SEE NOTE	RoHS <input checked="" type="checkbox"/> 2011/65/EU JXX * 01 JXX * 003 JXXX * 0010 ANGLES = 135°	Date: 11/25/14 Drawn By: R.SHEN	Drawing No. 125-0000-900 Rev. 3
DO NOT SCALE DIMENSIONS			Sheet 1 of 1	

Mouser Electronics

Authorized Distributor

Click to View Pricing, Inventory, Delivery & Lifecycle Information:

[Cinch Connectivity Solutions:](#)

[125-0000-900](#)