



## Product summary

# C94-M8P application kit

## Easy evaluation of u-blox M8 RTK with NEO-M8P

### Highlights

- Two application boards for prototyping with NEO-M8P
- Easy integration of RTK high-accuracy solutions
- Based on u-blox NEO-M8P-2 module
- Base and rover functionality
- Integrated radio link



### Product description

The C94-M8P application board allows efficient integration and evaluation of NEO-M8P, u-blox's M8 high precision positioning module.

The NEO-M8P module series introduces the concept of a "Rover" and a "Base Station", bringing RTK technology to u-blox's product portfolio. By using a data stream from the base station, the rover can output its relative position with stunning cm-level accuracy in clear sky environments.

The C94-M8P application board integrates NEO-M8P-2 module with both base station and rover functionality. The C94-M8P includes a UHF radio link, allowing for easy setup and fast prototyping. The board also provides connector pins for u-blox C027 and other application boards, enabling communication alternatives using u-blox cellular and short range technologies.

### Features

Receiver	NEO-M8P-2 GNSS module with support for both active and passive antennas
Receiver type	72-channel u-blox M8 engine with inertial sensing GPS/QZSS L1 C/A, GLONASS L10F, BeiDou B1I, Galileo E1B/C SBAS L1 C/A: WAAS, EGNOS, MSAS, GAGAN
Nav. update rate	Up to 20 Hz
Radio link	UHF operation in the license-free bands. See Product variants.

### Kit includes

- 2 x EVK boards
- 2 x antennas
- 2 x USB cables

### Deliverable

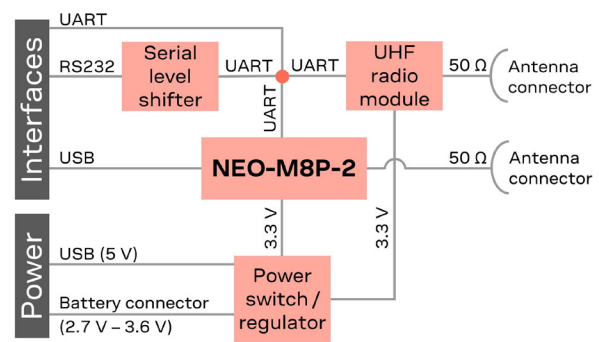
C94-M8P board schematic available on request

### Legal Notice:

u-blox reserves all rights to this document and the information contained herein. Products, names, logos and designs described herein may in whole or in part be subject to intellectual property rights. Reproduction, use, modification or disclosure to third parties of this document or any part thereof without the express permission of u-blox is strictly prohibited.

The information contained herein is provided "as is". No warranty of any kind, either express or implied, is made in relation to the accuracy, reliability, fitness for a particular purpose or content of this document. This document may be revised by u-blox at any time. For most recent documents, please visit [www.u-blox.com](http://www.u-blox.com). Copyright © 2021, u-blox AG

### Block diagram



### Interfaces

UART	Pins for UART communication, 3.3 V
USB	Micro-USB for GNSS data and power supply
Power supply	USB, 5 V Pin header, 2.7 V - 3.6 V
LED	Timepulse
Protocols	NMEA, UBX binary, RTCM

### Supported external communication

C027-C20/U20/ G35	Application board for cellular communication
----------------------	--

### Product variants

The product variants come with UHF operation on license-free bands, for specified regions.

C94-M8P-1	China (433 MHz)
C94-M8P-2	USA and Canada (915 MHz)
C94-M8P-3	Europe (433 MHz)
C94-M8P-4	Japan (920 MHz)

### Further information

For contact information, see [www.u-blox.com/contact-u-blox](http://www.u-blox.com/contact-u-blox).

For more product details and ordering information, see the product data sheet.

# Mouser Electronics

Authorized Distributor

Click to View Pricing, Inventory, Delivery & Lifecycle Information:

[u-blox:](#)

[C94-M8P-1](#) [C94-M8P-2](#) [C94-M8P-3](#) [C94-M8P-4](#)