

# Universal Mounts

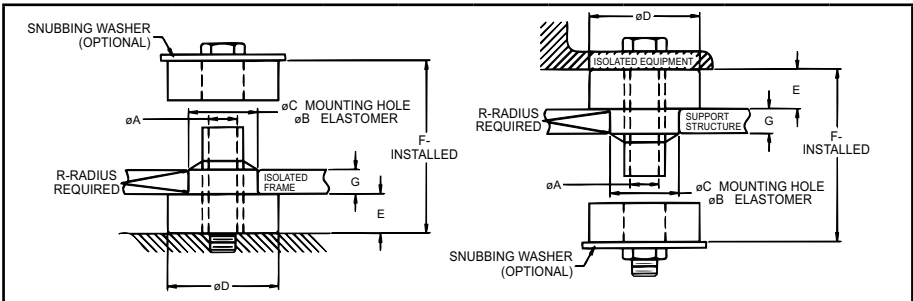


Low-cost, easy-to-install Universal Mounts provide fail-safe, all-attitude isolation for vehicle cabs, engines, transmissions and other equipment up to 4550 lbs. in mobile applications.

Consisting of two parts—an elastomeric ring and an elastomeric bushing bonded to a center metal spacer—Universal Mounts are held in place with a through bolt.

## Features:

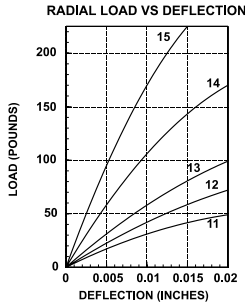
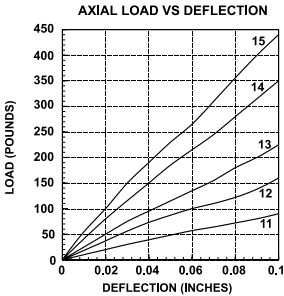
- Fail-Safe Installation when proper snubbing washers (Page 71) are used
- Capable of withstanding loads in all axes
- Excellent rebound protection
- Standard Neoprene elastomer resistant to oil, fuel, and solvents
- Optional elastomers available including High Damped Silicone



Part No.	A	B	C	D	E	F	G		R
							Thin Support	Thick Support	
60011 thru 15	0.39	0.78	0.75	1.25	0.50	1.25	0.37	N/A	0.03
60021 thru 25	0.53	1.31	1.25	1.87	0.78	1.94	0.50	0.56	0.06
60031 thru 35	0.64	1.55	1.50	2.53	0.90	2.45	0.75	0.88	0.08
60041 thru 45	0.94	2.30	2.25	3.50	1.00	2.88	1.00	1.12	0.12
60051 thru 55	1.06	2.55	2.50	4.88	1.25	3.38	1.00	1.25	0.12
60165-1 thru 5	0.64	1.55	1.50	2.53	0.90	1.83	0.25	N/A	0.08
60166-1 thru 5	0.39	0.78	0.75	1.25	0.50	1.06	0.19	N/A	0.03

# Universal Mounts

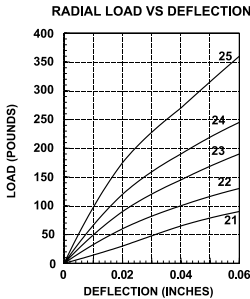
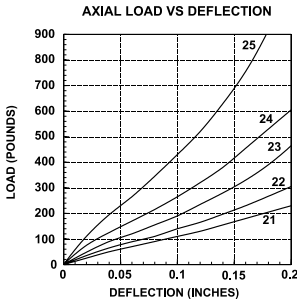
## 60011 thru 15 Series



### Static Load Rating (lbs.)

Part No.	Color Code	Thin Support	
		Axial	Radial
60011	Yellow	35	18
60012	Red	80	27
60013	Green	130	36
60014	Blue	235	45
60015	White	280	55

## 60021 thru 25 Series

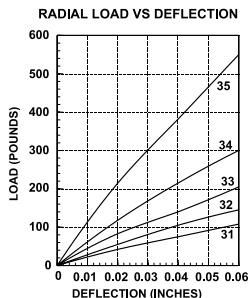
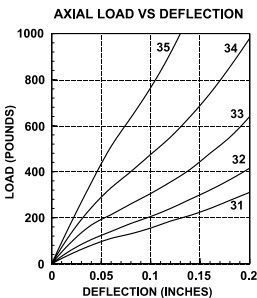


### Static Load Rating (lbs.)

Part No.	Color Code	Thin Support	
		Axial	Radial
60021	Yellow	65	45
60022	Red	125	80
60023	Green	170	125
60024	Blue	275	190
60025	White	390	290
Part No.	Color Code	Thick Support	
		Axial	Radial
60021	Yellow	135	55
60022	Red	180	85
60023	Green	240	130
60024	Blue	380	190
60025	White	630	290

Curves are for thin support.  
Consult Tech Products for Thick support information

## 60031 thru 35 Series



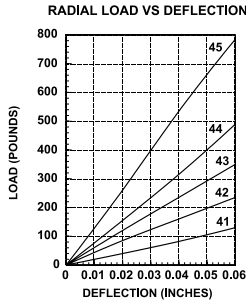
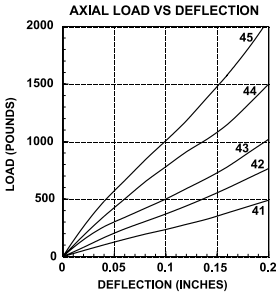
### Static Load Rating (lbs.)

Part No.	Color Code	Thin Support	
		Axial	Radial
60031	Yellow	100	80
60032	Red	180	120
60033	Green	250	175
60034	Blue	350	265
60035	White	500	370
Part No.	Color Code	Thick Support	
		Axial	Radial
60031	Yellow	215	90
60032	Red	360	140
60033	Green	490	225
60034	Blue	860	385
60035	White	1330	690

Curves are for thin support.  
Consult Tech Products for Thick support information

# Universal Mounts

## 60041 thru 45 Series

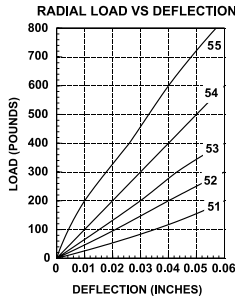
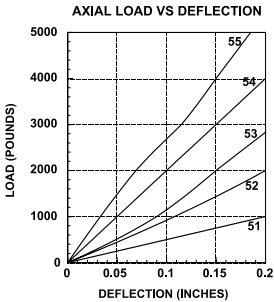


### Static Load Rating (lbs.)

Part No.	Color Code	Thin Support	
		Axial	Radial
60041	Yellow	160	100
60042	Red	300	200
60043	Green	40	310
60044	Blue	520	420
60045	White	610	570
Part No.	Color Code	Thick Support	
		Axial	Radial
60041	Yellow	270	130
60042	Red	500	210
60043	Green	760	330
60044	Blue	1150	550
60045	White	2070	955

Curves are for thin support.  
Consult Tech Products for Thick support information

## 60051 thru 55 Series

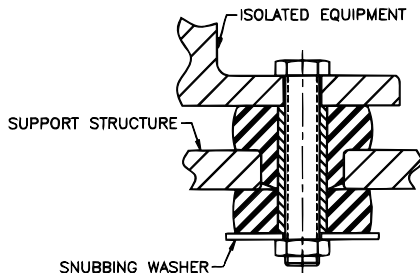
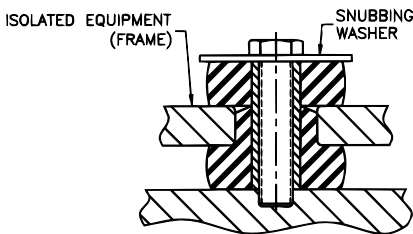


### Static Load Rating (lbs.)

Part No.	Color Code	Thin Support	
		Axial	Radial
60051	Yellow	300	150
60052	Red	500	220
60053	Green	700	300
60054	Blue	900	470
60055	White	1200	660
Part No.	Color Code	Thick Support	
		Axial	Radial
60051	Yellow	1150	250
60052	Red	1925	350
60053	Green	2575	600
60054	Blue	3550	900
60055	White	4550	1400

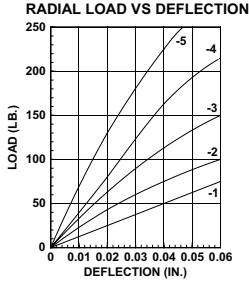
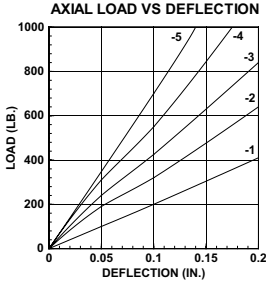
Curves are for thin support.  
Consult Tech Products for Thick support information

## Mounting Configurations



# Universal Mounts

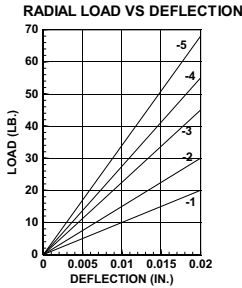
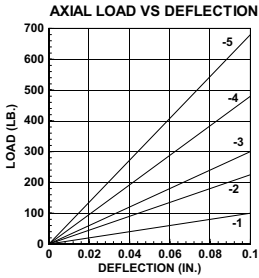
## 60165-1 thru -5 Series



### Static Load Rating (lbs.)

Part No.	Color Code	Thin Support	
		Axial	Radial
60165-1	Yellow	215	40
60165-2	Red	360	60
60165-3	Green	490	88
60165-4	Blue	860	133
60165-5	White	1330	185

## 60166-1 thru -5 Series

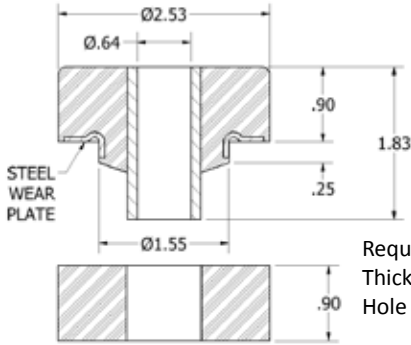


### Static Load Rating (lbs.)

Part No.	Color Code	Thin Support	
		Axial	Radial
60166-1	Yellow	35	9
60166-2	Red	80	14
60166-3	Green	130	18
60166-4	Blue	235	23
60166-5	White	280	28

# Wear Plate Universal Mounts

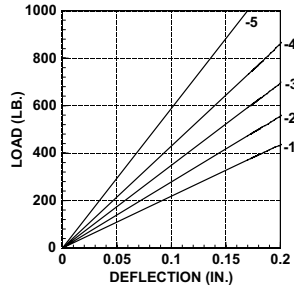
## 60272 Series



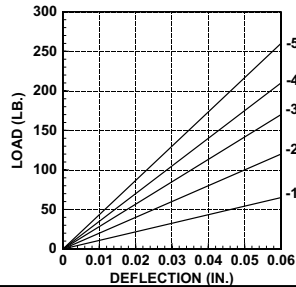
Required Support  
Thickness: 0.25  
Hole Dia: 1.58/1.62

Part No.	Max. Axial Load (lbs.)	Max. Radial Load (lbs.)	Color Code
60272-1	215	40	Yellow
60272-2	360	60	Red
60272-3	490	88	Green
60272-4	860	133	Blue
60272-5	1330	185	White

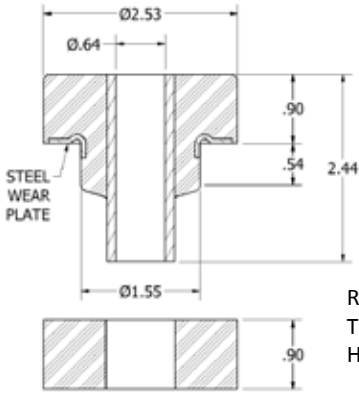
### AXIAL LOAD VS DEFLECTION



### RADIAL LOAD VS DEFLECTION



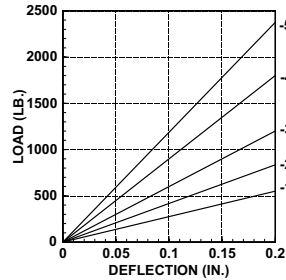
## 60278 Series



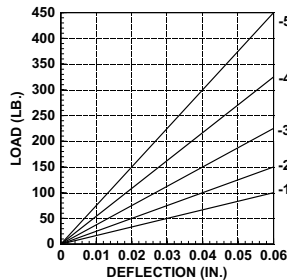
Required Support  
Thickness: 0.88  
Hole Dia: 1.58/1.62

Part No.	Max. Axial Load (lbs.)	Max. Radial Load (lbs.)	Color Code
60278-1	215	80	Yellow
60278-2	360	120	Red
60278-3	490	175	Green
60278-4	860	265	Blue
60278-5	1330	370	White

### AXIAL LOAD VS DEFLECTION

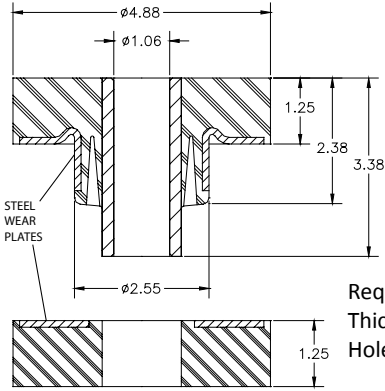


### RADIAL LOAD VS DEFLECTION



# Wear Plate Universal Mounts

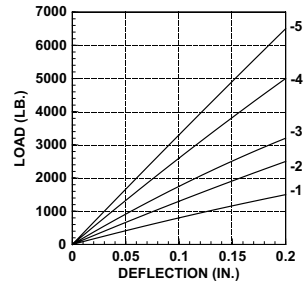
## 60285 Series



Required Support  
Thickness: 1.25  
Hole Dia: 2.58/2.62

Part No.	Max. Axial Load (lbs.)	Max. Radial Load (lbs.)	Color Code
60285-1	1000	180	Yellow
60285-2	1750	275	Red
60285-3	2250	400	Green
60285-4	3200	500	Blue
60285-5	4200	700	White

AXIAL LOAD VS DEFLECTION



RADIAL LOAD VS DEFLECTION

