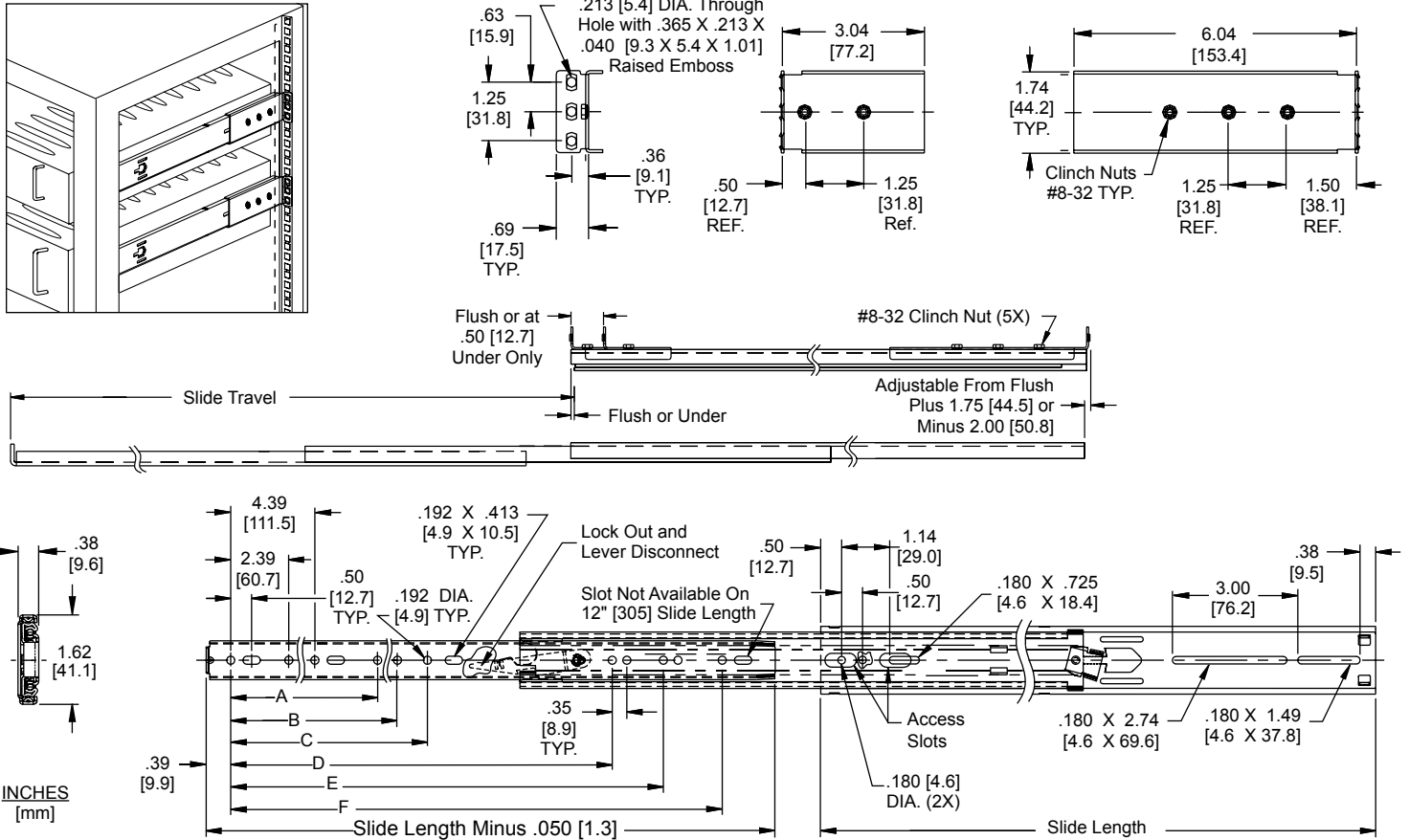


**APPLICATIONS:** Use model 2907 whenever an ultra-thin, medium duty, over travel, rack-mount slide is required. For use on electronic chassis, keyboards, fantrays, and other rack-mount applications. Accommodates chassis from 1U to 4U. **This product is covered by U.S. and various foreign patents issued and/or pending.**

Ball Bearing Electronic Enclosure Slide  
 .38" [9.6 mm] Width  
 1.62" [41.1 mm] Height  
 2.00" [50.8 mm] Over Travel  
 Up to 115 lb. <sup>▫</sup> [52.3 kg] Capacity



- Finish** Clear electroplate (C) finish
- Length** 12"-30" [305 mm-762 mm]
- Height** 1.62" [41.1 mm]
- Load** See chart <sup>▫</sup>
- Side Space** .38" ± 0.030 \*\* † [9.6 mm ± 0.76 mm]
- Travel** 2.00" [50.8 mm] Over travel
- Mounting** Chassis Member: #8 pan head screw
- Features** Outer Member: Adjustable front and rear mounting brackets  
 Unhanded, lock-out and disconnect, lead-in pins

Part Number	Slide Length	Slide Travel	▫ Load Rating per Pair lb. [kg.]	A	B	C	D	E	F
2907-12	12.00 [305]	14.00 [356]	60 lb. [27.2 kg.]						9.25 [235.0]
2907-14	14.00 [356]	16.00 [406]	80 lb. [36.3 kg.]						11.25 [285.8]
2907-16	16.00 [406]	18.00 [457]	100 lb. [45.4 kg.]	6.40 [162.6]					13.25 [336.5]
2907-18	18.00 [457]	20.00 [508]	115 lb. [52.2 kg.]			6.49 [164.8]	12.38 [314.3]		15.25 [387.3]
2907-20	20.00 [508]	22.00 [559]	114 lb. [51.7 kg.]		6.78 [172.1]	8.00 [203.2]	14.03 [356.2]		17.25 [438.1]
2907-22	22.00 [559]	24.00 [610]	112 lb. [50.8 kg.]			8.39 [213.0]	16.03 [407.0]		19.25 [488.9]
2907-24	24.00 [610]	26.00 [660]	110 lb. [49.9 kg.]	10.00 [254.0]	10.78 [273.7]			18.03 [457.8]	21.25 [539.7]
2907-26	26.00 [660]	28.00 [711]	110 lb. [49.9 kg.]	5.53 [140.3]	9.15 [232.4]	10.60 [269.1]	16.40 [416.6]	20.03 [508.6]	23.25 [590.5]
2907-28	28.00 [711]	30.00 [762]	110 lb. [49.9 kg.]	7.53 [191.1]	11.15 [283.2]	12.00 [304.8]	18.40 [467.4]	22.03 [559.4]	25.25 [641.4]
2907-30	30.00 [762]	32.00 [813]	110 lb. [49.9 kg.]		9.53 [241.9]	12.60 [319.9]	20.40 [518.2]	24.03 [610.2]	27.25 [692.1]

▫ Load rating based on an 16" [406 mm] wide chassis cycled 2,000 times.  
 † Brackets behind EIA rail with square.  
 \*\* No lateral adjustment with EIA rails using round or tapped holes.

## Installation Instructions

- Slide chassis member (smallest) is removable. Separate slide members by lifting left hand side lever up, and right hand side lever down. Keep slide chassis members with original outer members.
- Slide has front and rear adjustable EIA brackets. Attach front brackets to outer slide member using #8-32 machine screws by aligning access slots on brackets to outer member holes. Front brackets can be mounted flush or 1/2" [12.7 mm] back from front of slide based on user needs.
- Establish distance from front cabinet rail to rear cabinet rail and attach rear brackets to slide. **Do not** fully tighten rear bracket mounting screws until final adjustment is made.
- Insert removable locator pin into center hole of brackets.
- Slide will mount to various cabinet rails at various locations on side of chassis. See illustrations at right.
- Place slide into desired position and fully extend against EIA rails. Locator pins will support slide and bar nut while attaching screws.
- Attach slide to EIA rail with #10-32 screws and fasten with bar nuts. Once screws are secure, remove locator pins. Do not fully tighten screws until final adjustment is made.
- Mount slide chassis members (smallest) to the chassis.
- With cabinet members in the open or closed position, bring ball retainer to full forward position. Install chassis by engaging the slide members and close completely. **Locks will engage on initial insertion and must be released to fully close.** Check slide alignment by opening and closing the chassis. Any sign of binding indicates lateral stress or misalignment.
- Adjust slide position until movement is smooth. Tighten all screws and complete installation.

**NOTE:** To remove chassis, lift the lever on the left hand slide up and the lever on the right hand slide down.

## Slide Ordering Instructions

Complete your order for Accuride Model 2907 by specifying the following information. For example:

Required Slides \_\_\_\_\_ 10 Pair C 2907 -18 D  
 Slide Finish \_\_\_\_\_  
 Slide Model \_\_\_\_\_  
 Slide Length \_\_\_\_\_  
 Optional Polybag Packaging \_\_\_\_\_

## Optional Mounting Bracket Kit

Optional mounting bracket kit, part number 4180-0430-XE, includes (2) front brackets, (2) rear brackets, (4) bar nuts, (4) locator pins, (8) #8-32 bracket-to-slide mounting screws, and (8) #10-32 bracket-to-rail mounting screws packaged in a polybag.

Kits ordered separately. Order 1 kit per pair of slides.

## Packaging

**Bulk (P) Pack:** All lengths are packaged 10 pair per box. Optional mounting bracket kits (4180-0430-XE) are ordered and packaged separately.

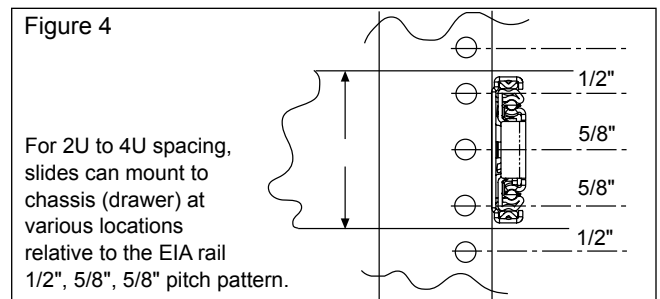
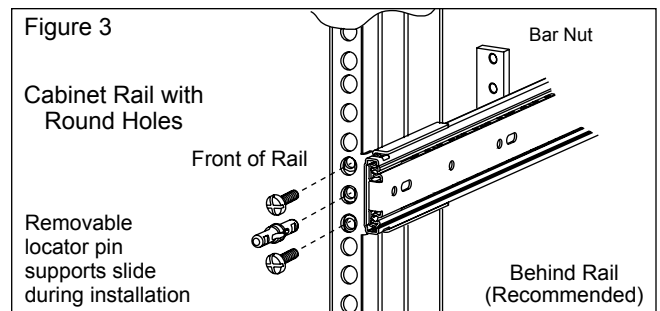
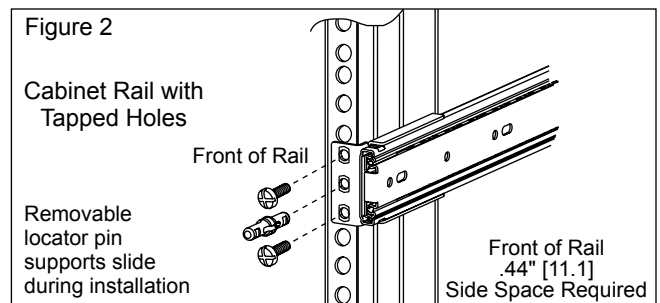
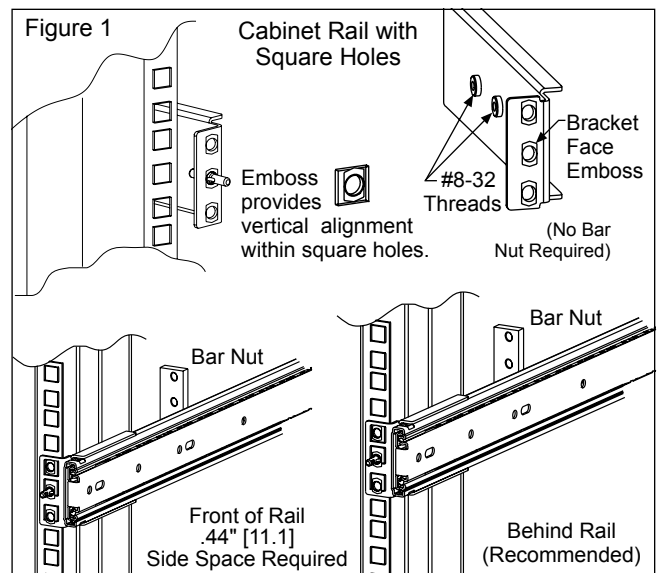
**Distributor (D) Pack:** All lengths are packaged 5 pair per box. Polybag packaging includes one pair of slides, one mounting bracket kit (4180-0430-XE), and installation instructions.

## Specifications

Slide members and ball retainers: Cold rolled steel  
 Ball bearings: Carburized steel  
 RoHs compliant

**NOTE:** Specifications, materials, prices, terms, and delivery are subject to change without notice.

For the most current technical information visit [www accuride.com](http://www accuride.com)



# Accuride®

ACCURIDE INTERNATIONAL INC.

12311 Shoemaker Avenue  
 Santa Fe Springs, CA 90670

TEL (562) 903-0200  
 FAX (562) 903-0208  
[www accuride.com](http://www accuride.com)

Manufacturing, Engineering, and Sales  
 United States • Germany • Japan • Mexico • United Kingdom • China

Copyright © 2012 Accuride International Inc. 3700-9456(1085)-MK091-R6-0912