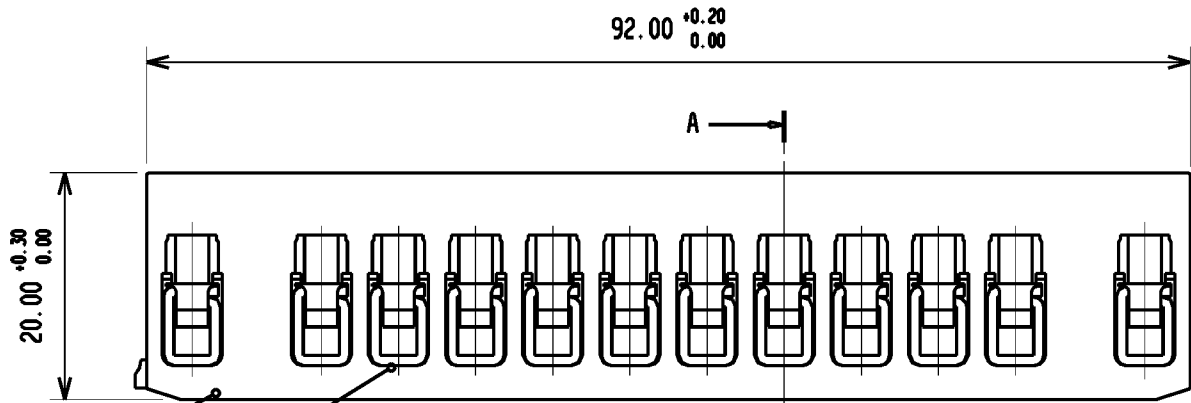
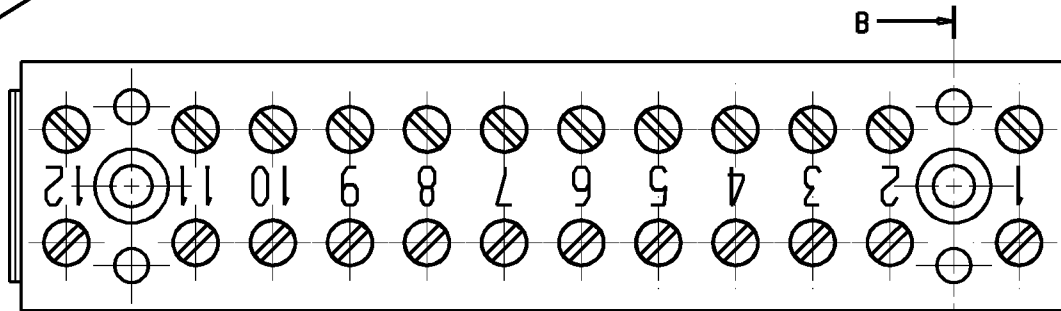


DIE ENGLISCHE VERSION IST VERBINDLICH
THE ENGLISH VERSION IS BINDING



1

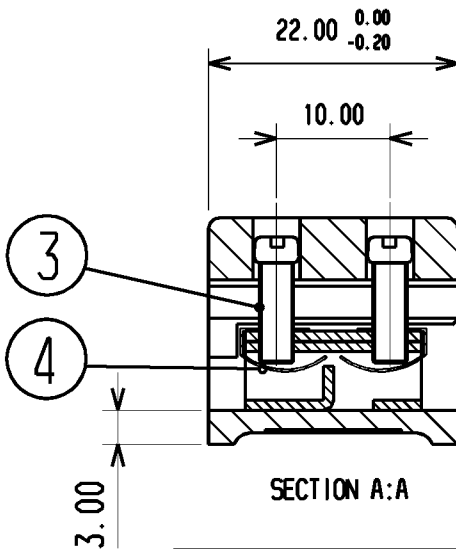
2



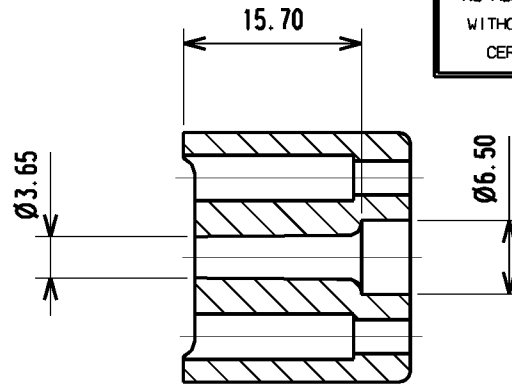
B

B

SCHUTZVERMERK NACH DIN 34 BEACHTEN
PROTECTION REMARK TO DIN 34 MUST BE OBSERVED



SECTION A:A



SECTION B:B

CERTIFIED PRODUCT
NO MODIFICATION PERMITTED
WITHOUT REFERENCE TO THE
CERTIFYING AUTHORITY

4	24	LEAF SPRING 7.5x4.6x3.8	502019	STAINLESS STEEL	NATURAL
3	24	SCREW/KLSC M3x8.8	432628	STEEL	Zn
2	12	YOKE/ZB 15.5x7x5	404209	CuZn	Ni
1	1	MLD/KLTR	332184	MELAMINE	NATURAL
ITEM NO. POS. -NR	NO. OFF STUCK ZAHL	DESCRIPTION BESCHREIBUNG	DRAWING NO ZEICHNUNGS	MATERIAL DATA ANGABEN ZU WERKSTOFF	FINISH UBERZUGE

3	:	.
2	:	.
1	:	.
MODIFICATION		

Weidmüller

CAT. NO.: . . .
4 33903
DRAWING NO. ISSUE NO.
SHEET: 1 OF 1 SHEETS



	DATE	NAME
RESPONSIBLE	.	B.Philpott
DRAWN	25/10/2001	G.Carter
CHECKED	29/10/2001	B.Philpott
APPROVED	.	C.Stiff

BK12/E

KLEMMENBLOCK
TERMINAL BLOCK

SCALE: 1.5:1
SUPERSEDES: 431463/0

SUPERSEDED BY: .

PRODUCT FILE: BK12

UK

L