

16

XNES/J 250

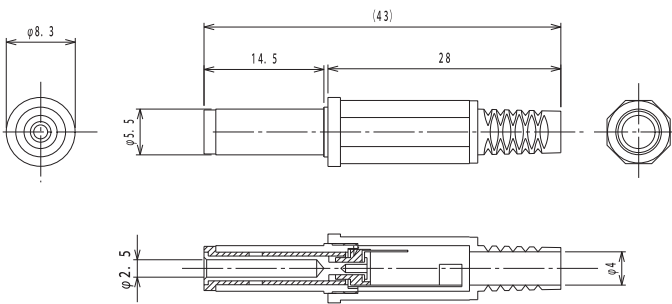
Power supply connectors



Power supply plug, long, straight version, with solder eyes
and bend protection

16

XNES/J 250



Environmental conditions

Temperature range -20 °C/+70 °C

Materials

Insulating body	PC
Contact	CuZn, nickel-plated
Insulation	POM/PVC
Housing	PP

Mechanical data

Outer diameter	5,5 mm
Inner diameter	2,5 mm

Connectable conductors for solder area

Cable diameter	4 mm
----------------	------

Electrical data (at T_{amb} 20 °C)

Contact resistance	≤ 30 mΩ
Rated current	1 A
Rated voltage	12 V DC
Rated impulse voltage	500 V/60 s
Insulation resistance	≥ 100 MΩ

Associated products

Counterparts		
☞ 1610 01	☞ 1610 05	☞ 1613 21
☞ 1614 10	☞ 1614 15	☞ 1614 20
☞ NEB/J 25	☞ NEB/J 25 C	☞ NEB/J 25 R
☞ NEK/J 250		

16

XNES/J 250

Designation	Pole Number	PU (Pieces)	MDQ (Pieces)
XNES/J 250	2	100	500

Packaging:

in bulk, in a cardboard box or a plastic bag