

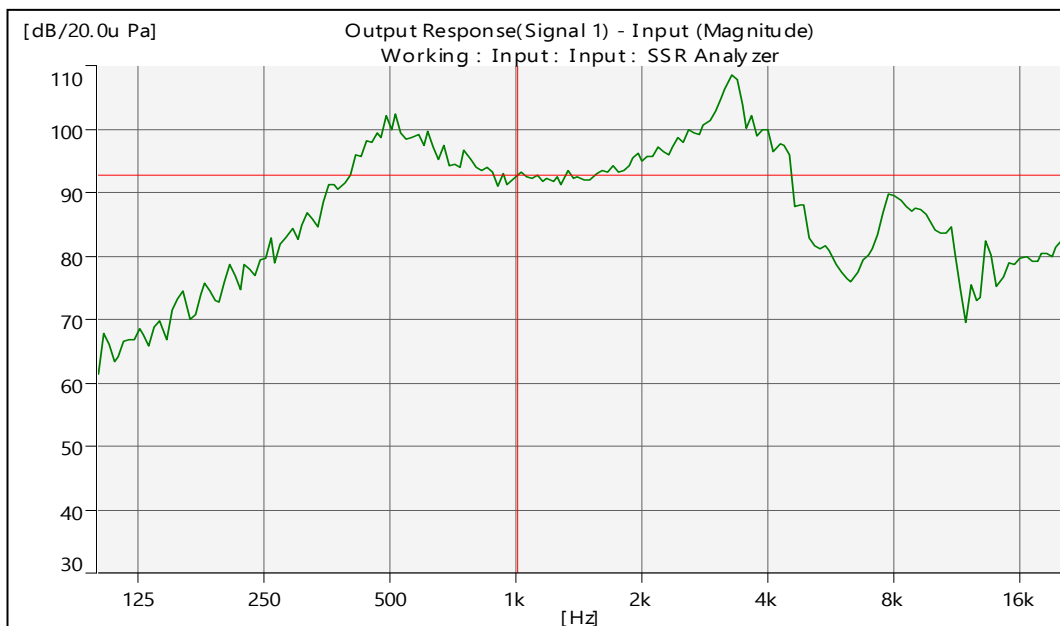
Specification for Speaker

Model No.	VS4050R50F450P0,5SV	Drawing No.	VS20190131012. 01
Customer			

SPEC

NO.	Items	Specification	Test Condition
1	Impedance	50Ω ±15%	at 1Vrms,2kHz
2	Resonant Fr. (fo)	450Hz±20%	
3	Frequency Range	F0-4.5KHz	
4	Rated Power	0.5W	
5	Max Power	0.7W	
6	S.P.L.	90dB±3dB	(0.1W/0.1M at0.8,1.0,1.2,1.5kHz Ave)
7	Distortion	<10% Max.	at 2kHz/2Vrms
8	Sweep Test	must be normal	at sine wave 5.0 V
9	Load Test	after test meet item 8	rated white noise power, 96 Hrs.
10	Heat Test	after test meet item 8	+60±2℃ 20~50% 96Hrs.
11	Cold Test	after test meet item 8	-20±3℃ 96Hrs.
12	Humidity Test	after test meet item 8	+40±2℃,90~95% 96Hrs.
13	Weight	9.0±5%g	
14	Polarity Test	with positive D.C. voltage to (+) terminal, the cone shall move forward.	
15	Note	IP44	

Frequency Response Curve

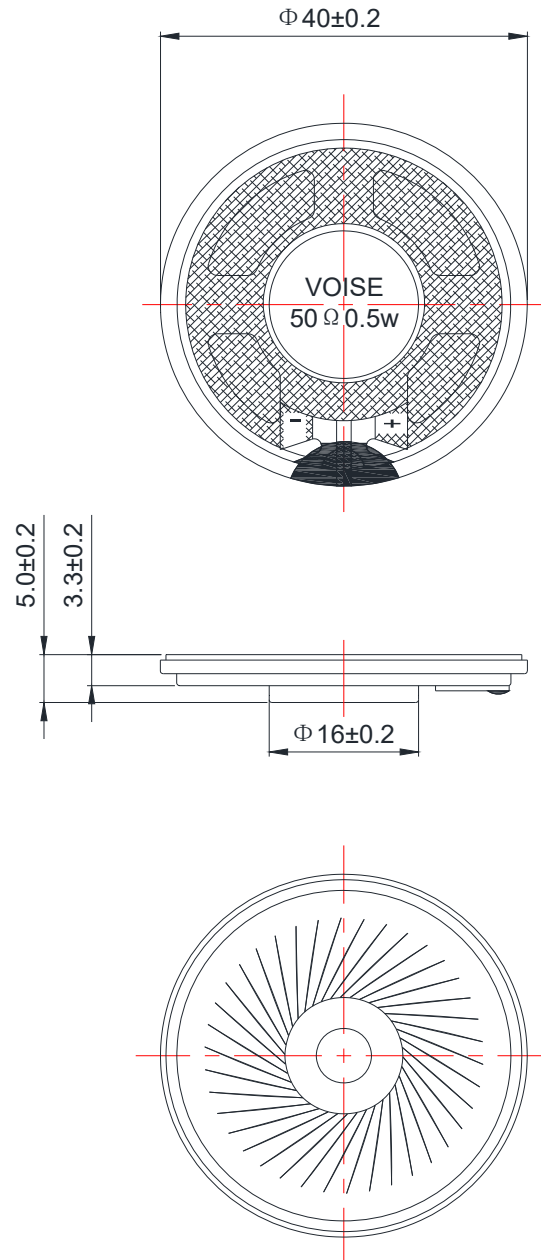


Specification for Speaker

Model No. VS4050R50F450P0,5SV

Drawing No. VS20190131012.01

Dimensions:



Unit : mm

Tolerance : ± 0.2