

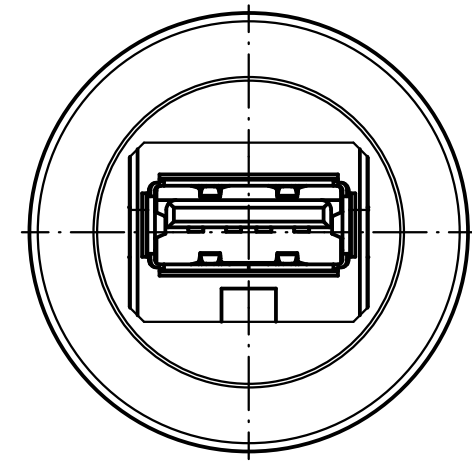
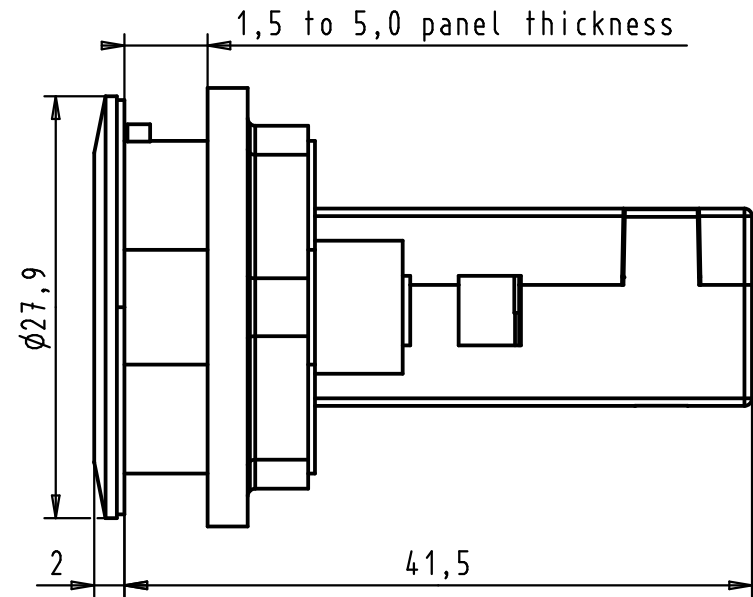
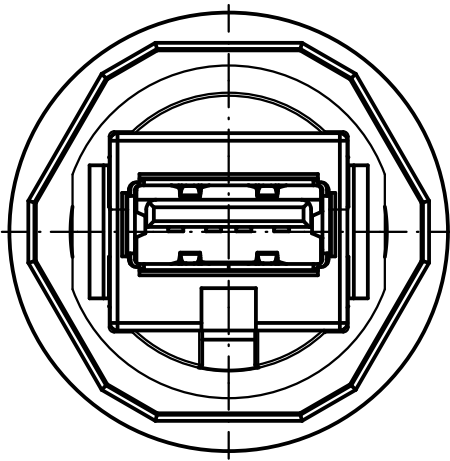
1 2 3 4 5 6

A

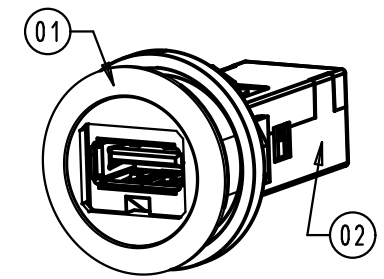
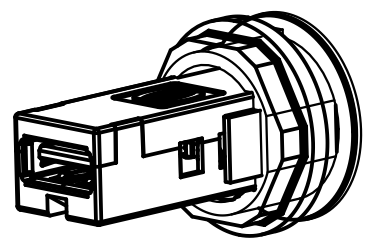
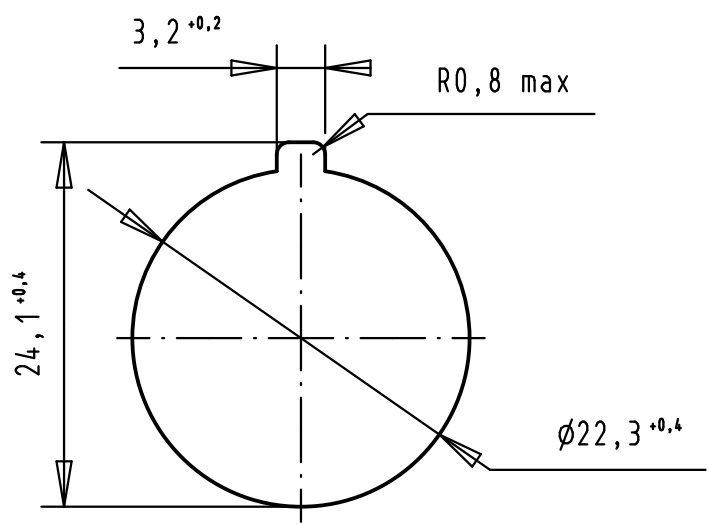
B

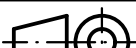

C

D



PANEL CUT DIMENSIONS:



02	1	USB 2.0 HIFF BULKHAED COUPLER TYPE A-A			09 45 545 1901	
01	1	HPP housing easyinstall			09 45 452 0000	
			Dot.	Name	 <i>har-port</i> USB 2.0 A-A coupler	Maßstab/ Scale
		Detail.	26/JAN/11	BH		2:1
		Insp.	29/02/12	JB		
		Stand.				
36291	29/02/12	SD			 TB 09 45 452 1901	Blatt/ Page
36227	15-FEB-11	BH	HARTING EURL F-95972 Paris			1 / 1
36224						
Mod.	Dot.	Name			Sub.	

All Dim. in mm
Orig. Size DIN A 4