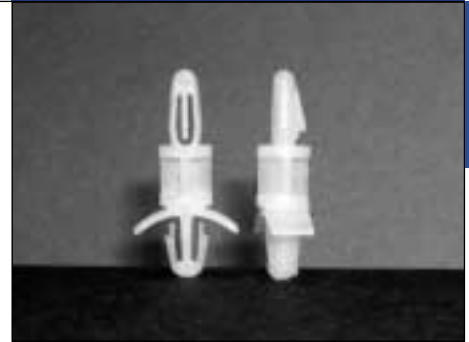
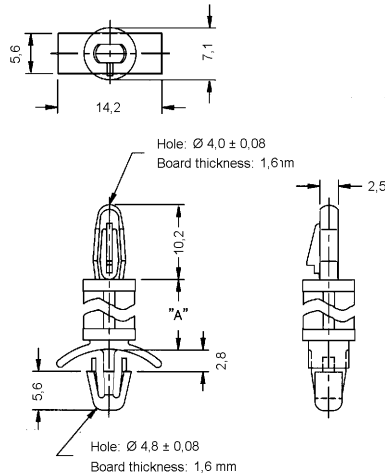


Part No.	"A" mm
LCBS-3-01	4.8
LCBS-4-01	6.4
LCBS-5-01	7.9
LCBS-6-01	9.5
LCBS-7-01	11.1
LCBS-8-01	12.7
LCBS-10-01	15.9
LCBS-12-01	19.1
LCBS-14-01	22.2
LCBS-16-01	25.4
LCBS-18-01	28.6
LCBS-20-01	31.7
LCBS-22-01	34.9



LCBS

LOCKING CIRCUIT BOARD SUPPORT

Patent No. 3,777,052 & 3,909,883

Material: Nylon 6/6 - natural; UL 94 V-2, RMS-01
or
Nylon 6/6 - natural; UL 94 V-0, RMS-19
Std. Pk.: 1.000 pcs.

Note:

LCBS	3	01
Part	Length	Material Code