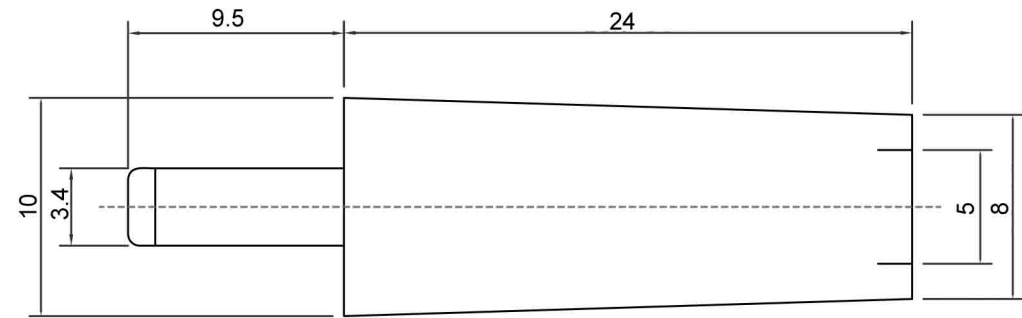
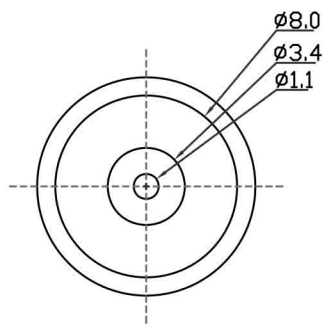


**RoHS
Compliant
Drawing For
Reference Only**



Technical requirement :

1. This product should meet EU RoHS related requirement.
2. The surface of plastic part should be without any crackle such as burr,lack,and so on phenomenon.
3. The surface of metal part should be without any defect such as scour,nick,oxidation and plating problem.
4. The electronic performance should be the same as spec.

DCI DRAGON CITY INDUSTRIES LIMITED

Item Name	DC POWER JACK	Tolerance :	Design	K.W Law	Remark		Scale	
Item No.	NP-109-EN-HY	Unit : mm	Drawing	W.K Yeung	Remark		Material	
			Check	K.L Wong	Remark		Drawing No.	B201172200
			Approval	K.W Chan	Remark		Sheet	