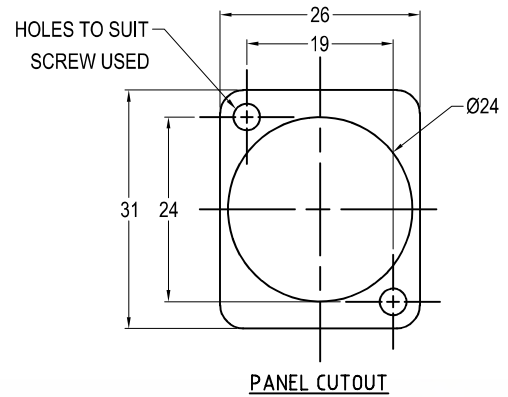


CLIFF

12GHz GOLD BNC FEEDTHROUGH

Our new gold plated BNC connector offers a 4K video standard connector future-proofing broadcast systems and patch panels and offers industrial users a high-reliability, lower contact resistance connector for sensors, instrumentation and test and measurement.



VARIANTS

CP303112G - XRP12 GOLD BNC 75Ω 12GHz, CSK HOLE

CP303112GX - XRP12 GOLD BNC 75Ω 12GHz, PLAIN HOLE

CP30186 - 16 x GOLD BNC 75Ω 12GHz, FRONT MOUNTED, M3 HOLES

SPECIFICATION 12GHz BNC

| | |
|-------------------------------|-----------------------|
| Impedance: | 75Ω |
| Frequency: | 0-18 GHz |
| Dielectric Withstand Voltage: | 1500 V _{eff} |
| Insulation Resistance: | 5000MΩ |
| Operating Temperature: | -35°C to +70°C |
| Contact Retention: | 10N min |
| Mating cycles: | 500 cycles |