

REVISION RECORD				
REV	ECN	DESCRIPTION	DRFT	DATE

**Technical characteristics:**

**Specifications**  
 DIN EN 60 664  
 DIN EN 61 984

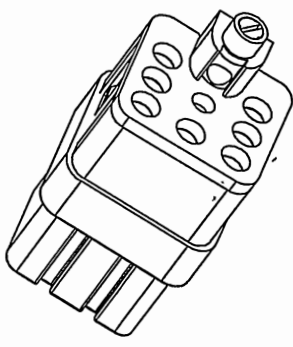
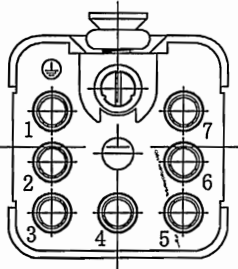
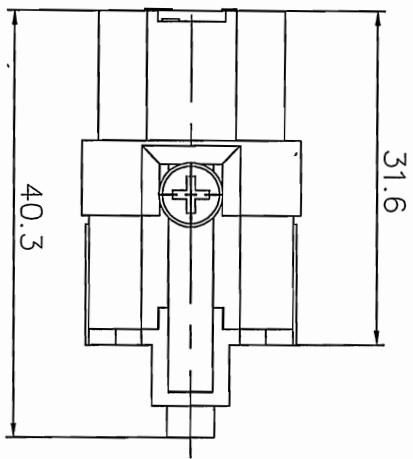
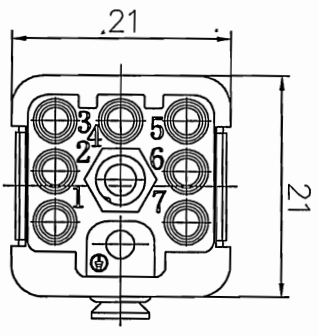
**Inserts**

- 01. Number of contacts : 7+PE
- 02. Rated Current : 10A
- 03. Rated Voltage : 400V
- 04. Pollution degree : 3
- 05. Rated impulse voltage : 6kV<sup>10</sup>
- 06. Insulation resistance :  $\geq 10^{12}$
- 07. Material: Polycarbonate
- 08. Rated voltage acc. to UL/CSA: 600V
- 10. Limiting temperatures : -40°C ~ +125°C
- 11. Flammability acc. to UL94: V0
- 12. Mechanical working life (mating cycles) :  $\geq 500$

**Contacts**

- 01. Material: Copper alloy
- 02. Surface: hard-Silver plated  
: hard-Gold plated
- 03. Contact resistance :  $\leq 3m\Omega$
- 04. Terminal : Crimp terminal
- 05. Wire gauge : 0.14-2.5mm<sup>2</sup> (AWG 26-14)
- 06. Stripping length : 6-8mm
- 07. Rohs Compliance

Note: Crimp contact pins should order separately



PART NO.: /		DEGSON <sup>®</sup> 宁波高松电子有限公司 NINGBO DEGSON ELECTRICAL CO., LTD	
APPD: HXS 2016-10-18	NAME: /	DQ-007-FC	
CHKD: 51M 2016.10.18		TITLE: CUSTOMER DRAWING	
DRFT: Mr. Yang 2016.09.25		DRAWING NO.: /	REV: DO-1
THIRD ANGLE PROJECTION		SCALE: 1:1	SHEET: 1/1
		DO NOT SCALE DRAWING	SCALE: 1.5:1

A B C D E F G H

8 7 6 5 4 3 2 1