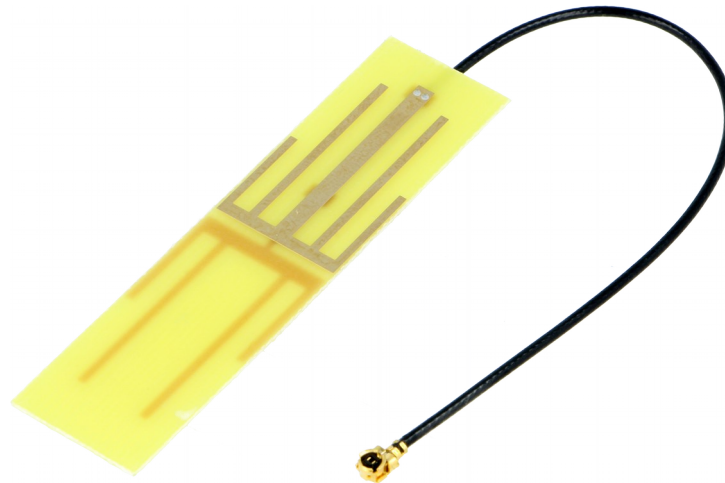


## WiFi Antenna

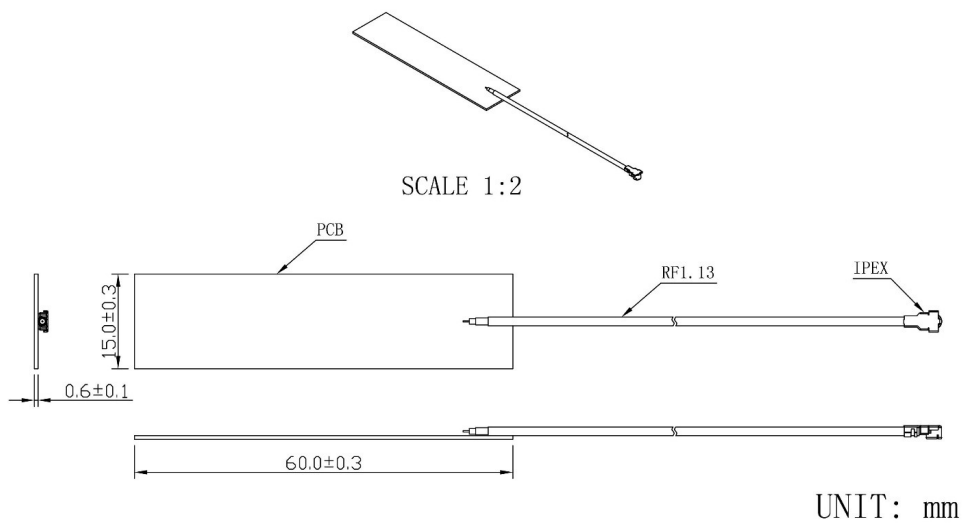
Model : WIFI-ANT414



1 Part Number

## WIFI-ANT414

2 Dimension ( Unit : mm )



### 3 Electrical Characteristics

#### 3.1 WiFi Antenna

Item	Specifications	
Antenna	Frequency Range	2400~2483.5MHz/4900~5825MHz
	Polarization	Linear
	Gain	3dBi
	V.S.W.R	< 2.0
	Impedance	50Ω
	PCB Dimension	60*15*0.6mm
Mechanical	Cable	RF1.13/RF1.37 or others
	Connector	IPEX
	Mounting Method	Adhesive
Environmental	Operating Temperature	-40℃~+85℃
	Vibration	10 to 55Hz with 1.5mm amplitude 2hours
	Environmentally Friendly	ROHS Compliant

### 4 Radiation Pattern

