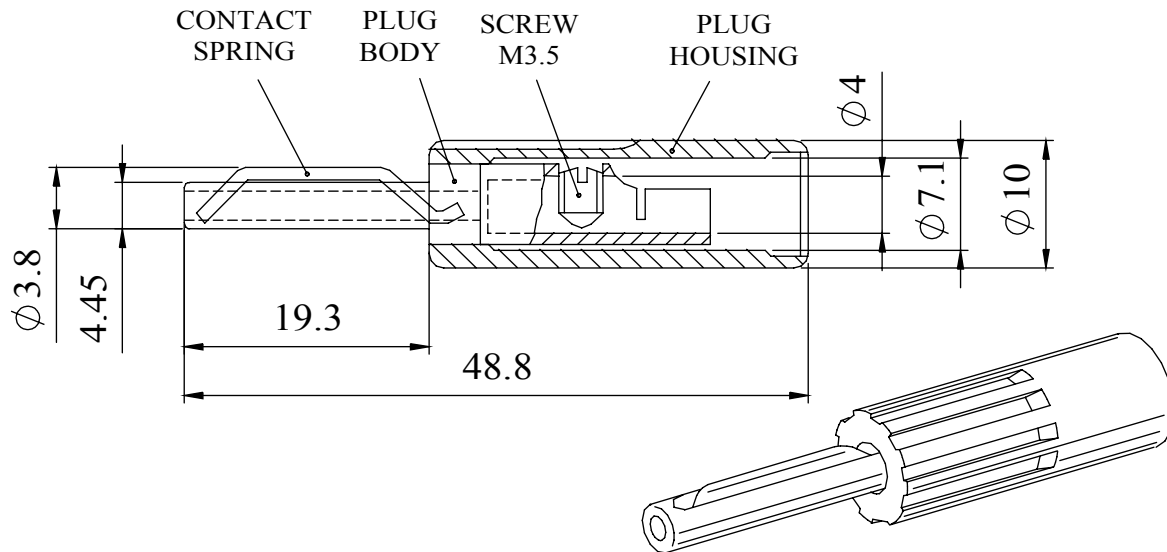


A standard in-line 4mm banana plug with a stainless steel contact spring.
 The large rear diameter of this plug will accept cables with a conductor of up 5,5mm (10 awg). The lead wire can be held either by soldering in a large solder bucket, or by a set screw. When the cable is held by the set screw, the solder bucket can also be crimped for added strength, (suitable crimping tool - Daniels Manufacturing D36 Hydraulic Crimper).

The product is also supplied with a large diameter insulating cover that accepts cables with a maximum outside diameter of 7,1mm.

Dimensions



MATERIAL

CONTACT SPRING PLUG BODY SCREW PLUG HOUSING : Stainless Steel, BS 302
 : Brass, TR1 CZ 131 nickel plated
 : Brass, BS 2874
 : Acetal, C 27021 R

RATING : 16 Amps

VOLTAGE : 50 Volts max

Part No.	Description	
583-0100	BLACK	(NICKEL PLATED)
583-0500	RED	(NICKEL PLATED)