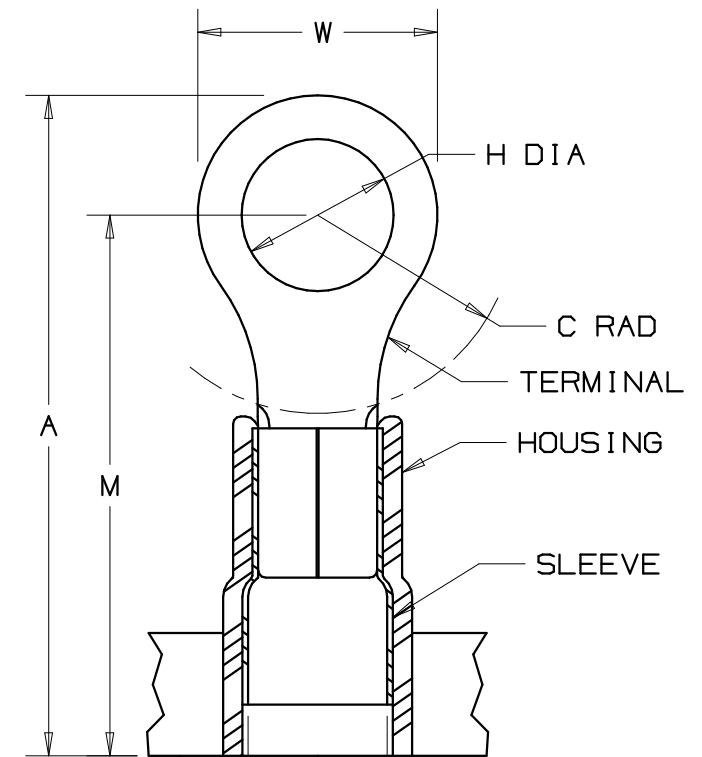


PANDUIT PART NUMBER	MILITARY PART NO. AND CLASS	STUD SIZE	DIMENSIONS in.				
			A ±.03	W ±.01	C ±.02	M ±.03	H ±.01
PN14-4R-3K	MS25036-152 CLASS 2	#4	.76 (19.30)	.25 (6.35)	.22 (5.59)	.65 (16.51)	.12 (3.05)
PN14-6R-3K	MS25036-107 CLASS 2	#6	.86 (21.84)	.31 (7.87)	.25 (6.35)	.70 (17.78)	.15 (3.81)
PN14-6RN-3K	MS25036-106 CLASS 2	#6	.76 (19.30)	.25 (6.35)	.22 (5.59)	.65 (16.51)	.15 (3.81)
PN14-8R-3K	MS25036-153 CLASS 2	#8	.86 (21.84)	.31 (7.87)	.25 (6.35)	.70 (17.78)	.17 (4.32)
PN14-10R-3K	MS25036-108 CLASS 2	#10	.86 (21.84)	.31 (7.87)	.25 (6.35)	.70 (17.78)	.20 (5.08)
PN14-14R-3K	MS25036-154 CLASS 2	1/4"	1.06 (26.92)	.44 (11.18)	.38 (9.65)	.83 (21.08)	.27 (6.86)



NOTES:

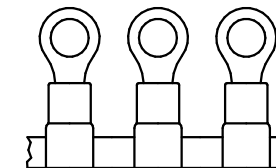
- UL LISTED AND CSA CERTIFIED FOR:
  - A. 600V. MAX. VOLTAGE RATING
  - B. 221°F. (105°C) MAX. TEMP. RATING
  - C. #16-14 (1.5-2.5mm<sup>2</sup> AWG SOLID OR STRANDED COPPER WIRE
- MATERIAL:
  - A. STAMPING- .03" (.8) THK. COPPER, TIN PLATED
  - B. HOUSING- NYLON, BLUE
  - C. SLEEVE- BRASS, TIN PLATED
- WIRE STRIP LENGTH- 1/4" +1/32, -0 (6.4, +.8, -0)
- PACKAGE QUANTITY: 3K = 3000 PCS.
- DIMENSIONS IN PARENTHESIS ARE IN MILLIMETERS
- INSTALLATION TOOLS:
  - A. PRESSES - CP-851, CP-860, CP-861, CP-871
  - B. APPLICATOR - CA-800, CA9
  - C. DIE INSERTS - CD-800-2, CD9-2A,B

CARRIER STRIP  
(CONFIGURATION  
MAY VARY)

.162 (4.11)  
MAX WIRE  
INSUL DIA  
.080 (2.03)  
MIN WIRE  
INSUL DIA.



LISTED 587H E52164  
CERTIFIED LR31212



Panduit part numbers shown on this drawing meet the material requirements of RoHS (EUROPEAN DIRECTIVES 2002/95/EC) as proposed by the Technical Adaptation Committee

A41099\_06

06	8/06	DAW	DAW	ADDED MILITARY PART NO. & CLASS	TR00155	LCA	TRO
05	12/00	ED	SKB	FILESPEC WAS: N41099AA_PCD_04	08925	JAC	CCH
04	11/96	JB		ADDED DIM".080(2.03) MIN WIRE DIA."	05414		
03	3/96	JKD	RLS	REVISED DIMS, ADDED NOTE 6	04259	TJP	TJP
02	12/89	FS	LA	"W" FOR PN14-14R WAS .44		LA	DBH
REV	DATE	BY	CHK	DESCRIPTION	ECN	CUST	PM

**PANDUIT** CORP.

TINLEY PARK, ILLINOIS

TERMO 3PC. CONTINUOUSLY MOLDED NYLON INSULATED, 16-14 BARREL, RINGS

DRAWN BY JMV CHK'D LA SCALE NONE DRAWING NO. A41099