

**ebm-papst St. Georgen GmbH & Co. KG**

Hermann-Papst-Str. 1

D-78112 St. Georgen

Phone +49 (0) 7724 81-0

Fax +49 (0) 7724 81-1309

info2@de.ebmpapst.com

www.ebmpapst.com

Nominal data

Type	4182 NX	
Nominal voltage	VDC	12
Nominal voltage range	VDC	6 .. 15
Speed	min ⁻¹	3200
Power input	W	4.9
Min. ambient temperature	°C	-30
Max. ambient temperature	°C	75
Air flow	m ³ /h	180
Sound power level	B	5.7
Sound pressure level	dB(A)	49

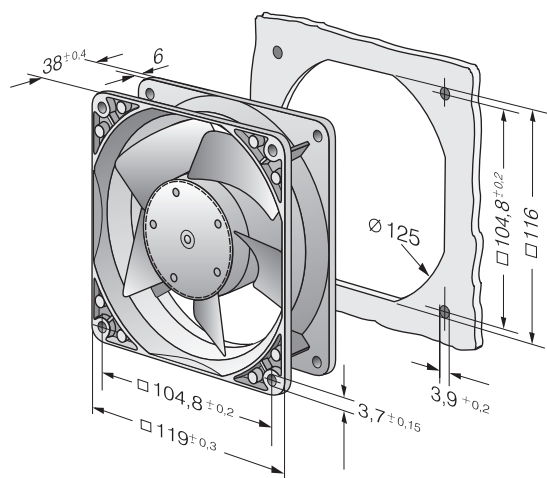
ml = Max. load · me = Max. efficiency · fa = Running at free air · cs = Customer specs · cu = Customer unit
Subject to alterations



Technical features

Impeller material	Fibreglass-reinforced plastic (PA)
Mass	0.390 kg
Dimensions	119 x 119 x 38 mm
Housing material	Die-cast aluminium
Direction of air flow	Inlet over bars
Direction of rotation	Clockwise, looking at rotor
Bearing	Ball bearings
Lifetime L10 at 40 °C	85000 h
Lifetime L10 at maximum temperature	37500 h
Connection line	Flat plugs 2.8 x 0.5 mm. Optionally also available with strands.
Motor protection	Protected against reverse polarity and locking.
Approval	VDE, CSA, UL

Product drawing



Charts: Air flow

