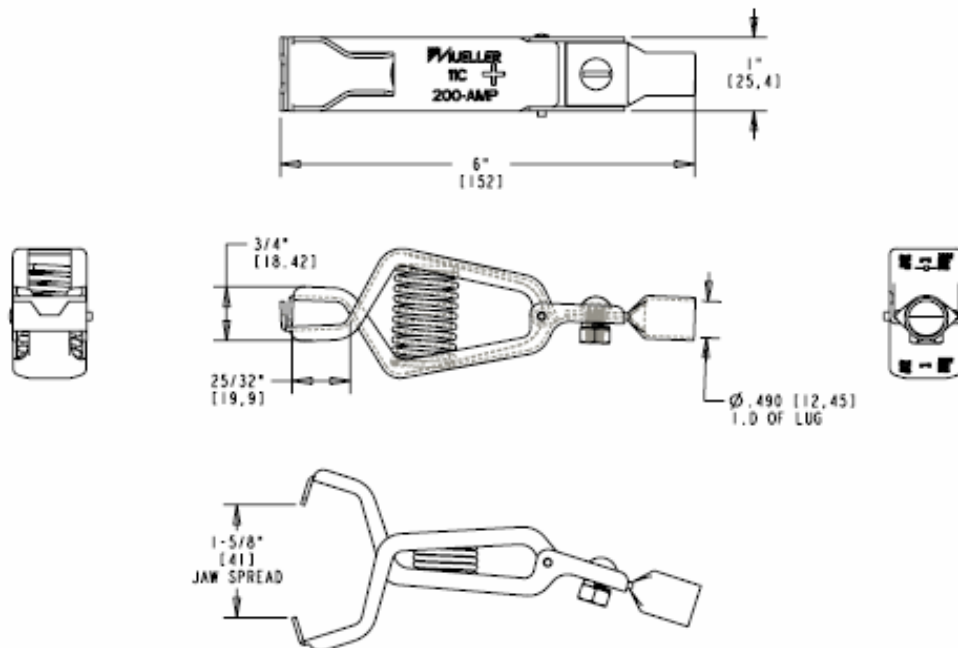




**Part Number:** BU-11CPS  
**Description:** Heavy duty grounding Clip

3707



- Heavy duty grounding Clip
- Can be used with up to 0 AWG wire or welding cable
- Material: Solid Copper, Steel Spring
- Also see BU-CPN, for an unmarked clip and BU-APN & BU-APS for lower current carrying steel versions
- Use with Mueller Brand BU-13-\* PVC Insulators
- Rating: 200 Amps
- Packaged in Bulk
- RoHS Compliant