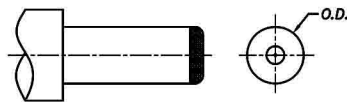
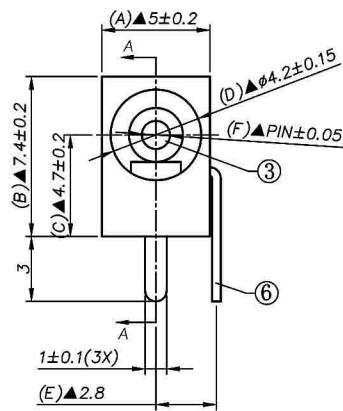
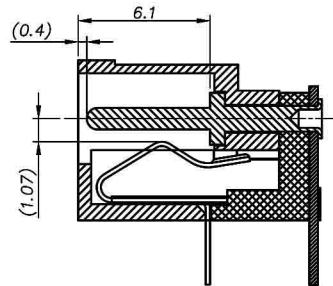
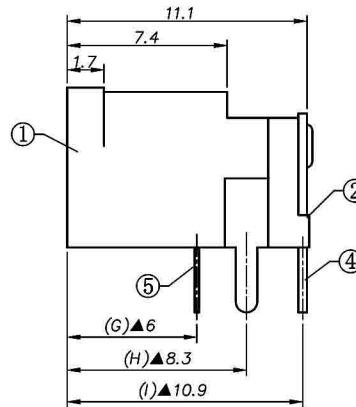


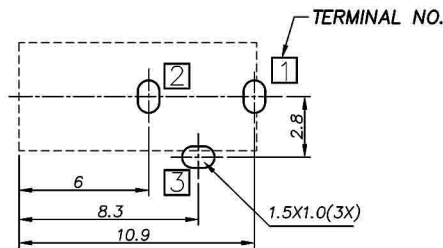
**RoHS
Compliant
Drawing For
Reference Only**



DC MATE PLUG

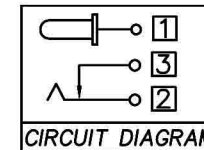


SECTION A-A



**RECOMMENDED P. C. B. LAYOUT
UNSPECIFIED TOLERANCE: ±0.05
(TOP VIEW)**

Model No.	DS-212B-NB	DS-212A-NB
PIN	φ1.0	φ1.3
DC PLUG O.D.	φ3.5	φ3.5



CIRCUIT DIAGRAM

□ : TERMINAL NO.

Specification:

- Rating : DC 30V 1A.
- Contact resistance: ≤50mΩ.
After test: ≤100mΩ
- Insulation resistance: ≥100MΩ (500VDC).
After test: ≥50MΩ
- Withstanding voltage: 500VAC.
- Insertion and extraction force: 3N~30N.
- Life test: 5000 cycles min.
- Operation temperature range: -20°C~70°C.
- Preservative temperature range: -40°C~85°C.
- Sign"▲" is importance dimension.

Technical requirement :

- This product should meet EU RoHS related requirement.
- The surface of plastic part should be without any crackle such as burr,lack,and so on phenomenon.
- The surface of metal part should be without any defect such as scour,nick,oxidation and plating problem.
- The electronic performance should be the same as spec.

⑥	Shunt terminal	1	Brass t0.4	Silver Plating
⑤	Tip spring	1	Stainless steel t0.2	Silver Plating
④	Center pin terminal	1	Brass t0.40	Silver Plating
③	Center pin	1	Copper alloy	Nickel Plating
②	Cover	1	PBT/PA9T	Black
①	Housing	1	PBT/PA9T	Black

TOLERANCE	ANGLES
±0.3	±2'

NO.	DESCRIPTION	QTY	MATERIAL	PLATING
-----	-------------	-----	----------	---------

DCI DRAGON CITY INDUSTRIES LIMITED

Item Name	DC POWER JACK	Tolerance :	Design	K.W Law	Remark	Scale
Item No.	DS-212-NB	Unit : mm	Drawing	W.K Yeung	Remark	Material
			Check	K.L Wong	Remark	Drawing No.
			Approval	K.W Chan	Remark	Sheet