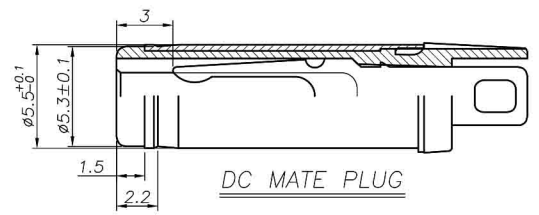
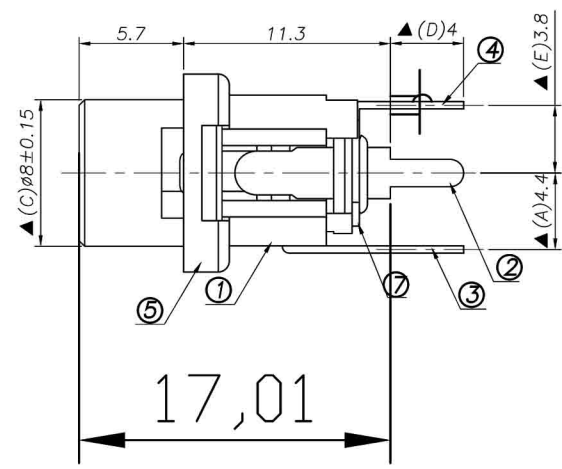
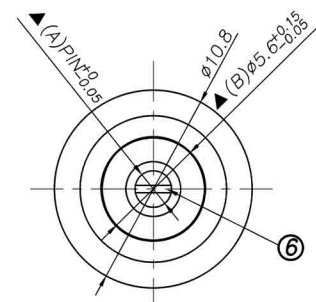
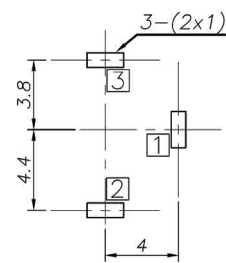
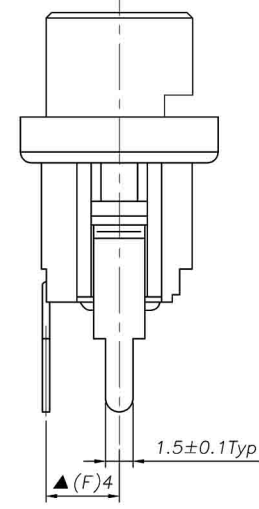
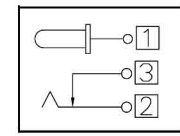


**RoHS
Compliant
Drawing For
Reference Only**



Model No.	DS-046NA-NB	DS-046NB-NB
Pin	ø2.5	ø2.0



RECOMMENDED P. C. B. LAYOUT
UNSPECIFIED TOLERANCE: ±0.05
(BOTTOM VIEW)

- Specification:**
- Rating : DC 30V 3A.
 - Contact resistance: ≤30mΩ.
After test: ≤50mΩ
 - Insulation resistance: ≥100MΩ (500VDC).
After test: ≥50MΩ
 - Withstanding voltage: 500VAC.
 - Insertion and extraction force: 3N~30N.
 - life test: 5000cycles min.
 - Operation temperature range: -20°C~70°C.
 - Preservative temperature range: -40°C~85°C.
 - Sign"▲" is importance dimension.

Technical requirement :

- This product should meet EU RoHS related requirement.
- The surface of plastic part should be without any crackle such as burr,lack,and so on phenomenon.
- The surface of metal part should be without any defect such as scour,nick,oxidation and plating problem.
- The electronic performance should be the same as spec.

⑦	Washer	2	Bakelite	
⑥	Pin	1	Copper alloy	Nickel plating
⑤	Bushing	1	Copper alloy	Nickel plating
④	Shunt Terminal	③ 1	Brass	Copper&tin plating
③	Tip Spring	② 1	Phosphor bronze	Copper&tin plating
②	Center pin terminal	① 1	Brass	Copper&tin plating
①	Housing	1	PA66	Black

TOLERANCE	ANGLES
±0.3	±2'

DCI DRAGON CITY INDUSTRIES LIMITED

Item Name	DC POWER JACK	Tolerance :	Design	K.W Law	Remark	Scale
Item No.	DS-046N-NB	Unit : mm	Drawing	W.K Yeung	Remark	Material
			Check	K.L Wong	Remark	Drawing No.
			Approval	K.W Chan	Remark	Sheet

B201171430