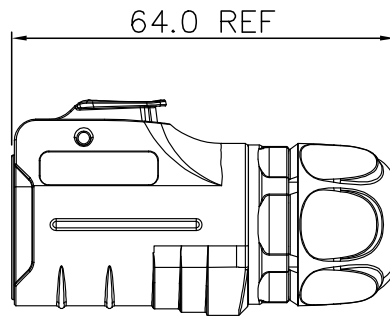
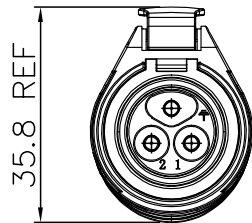
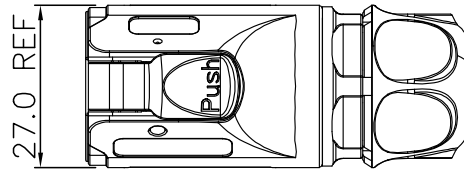
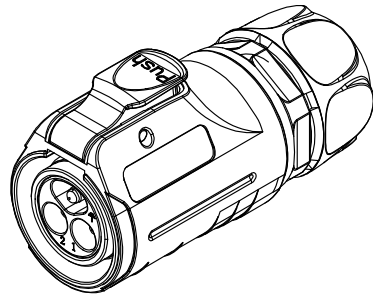


| | | | | |
|-----|--------------|------|------|---------|
| REV | MODIFICATION | DATE | DRAW | APPROVE |
| A | | | | |



SPECIFICATIONS:
 Current Rating: PIN Number-A 20A; PIN Number-B 12A; Number-C 5A;
 Operating Voltage: 500V MAX.
 Voltate Rating: 2500V MAX.
 Contact Resistance: 5.0mΩ MAX.
 Cable OD: φ4.0-φ11.5mm
 Waterproof Standard: IP67

| | | | | |
|-----|-------------|------------|-------------|------|
| 3 | Metal | Zinc Alloy | Chrome Ptd. | 1 |
| 2 | Contact | Brass | Gold Ptd. | 2-12 |
| 1 | Housing | PBT | | 5 |
| No. | Description | Material | Treat | Q'ty |

| TYPE | PIN NUMBER-A | | | PIN NUMBER-B | | PIN NUMBER-C | |
|------------------------|--------------|---------|---------|--------------|---------|--------------|---------|
| P/N: | 0252 02 | 0252 03 | 0252 04 | 0252 05 | 0252 07 | 0252 09 | 0252 12 |
| Male Contact Face View | | | | | | | |
| Number Of Contact | 2 | 3 | 4 | 5 | 7 | 9 | 12 |

| | | | |
|--|-------------|--|-------------------|
| -TOLERANCES- UNLESS OTHERWISE SPECIFIED | | | |
| X.X ±0.25 | X* REF ± 5* | | |
| X.XX ±0.15 | X.* ± 3* | | |
| X.XXX±0.05 | X*X* ± 1* | TITLE: LP20 Serie 252 Male Plug All Plastic | |
| DRAWN | ROBIN | 02/01/2018 | PRODUCT NO. --- |
| CHECKED | | | FILE NAME: --- |
| APPROVED | | | SCALE: AS SHOWN |
| UNIT: mm | PORJ. | SIZE A4 | REV. A SHEET. A/A |