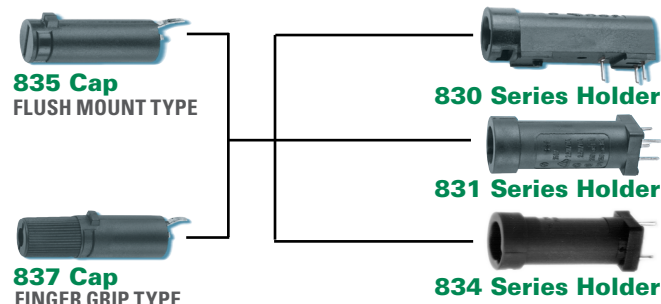
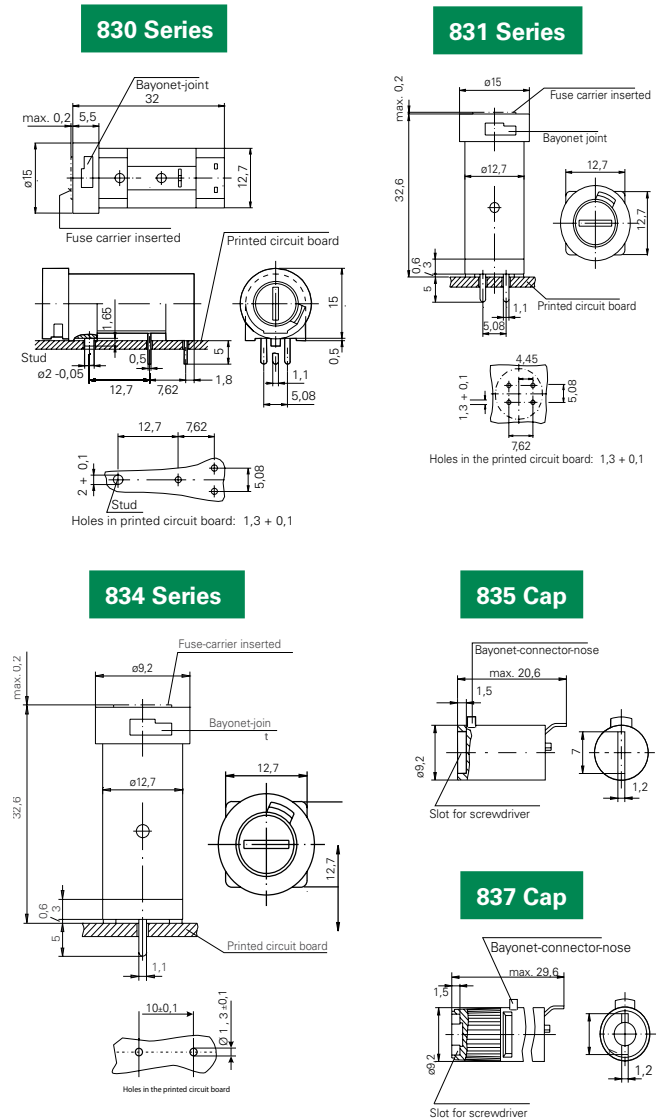


830/831/834 Series Circuit Board Mount Enclosed Fuse Holders



Not for new designs - refer to No. 862

Product Dimensions







Product Characteristics

	830 Series	831 Series	834 Series
Compatible Fuses	for 5x20 mm Fuses, 213, 215, 216, 217, 218, 219, 232, 233, 234, 235, and 239 Series		
Materials	Holder/Cap: Black Thermoplastic Polyamide PA 6.6, UL94 V-0 Metal Parts: Copper alloy, corrosion protected Terminals: Solderable, tinned		
Electrical Data (23°C)	Rated Voltage: 250V Rated Current: 6.3A (VDE/SEMKO) 16A (UL/CSA)		
Mounting	(3) Solder pins 0.5mmx1.1mm and plastic stud. The pins spaced at 5.08mm form a common connection.	(4) Solder pins 0.5mmx1.1mm The pins spaced at 5.08mm form a common connection.	(2) Solder pins 0.5mmx1.1mm
Protection Class & Category	IP 40 (IEC 60529) PC2 (IEC 60127-6)		
Operating Temperature	-25 °C to 70 °C (consider de-rating)		
Climatic Test	-25°C/+70°C/21 days (IEC 60068-2-1...3)		
Stock Conditions	+10°C to +60°C relative humidity ≤ 75% yearly average, without dew, maximum value for 30 days - 95%		
Vibration Resistance	24 cycles at 15 min. each (IEC 60068-2-6) 10 - 60Hz at 0.75mm amplitude 60 - 2000Hz at 10g acceleration		
Contact Resistance	≤ 5mΩ		
Dielectric Strength	> 1.5 kV		
Impulse Voltage	4 kV, 50 Hz, 1 min., dry		4 kV with 1,2µs/50µs
Insulation Resistance	> 10 ³ MΩ (500 VDC, 1 min.)		
Solderability	235°C, 3 sec. (Wave) 350°C, 1 sec. (Soldering Iron)		235°C, 2 sec. (Soldering bath) (IEC 60068-2-20) 350°C, 3 sec. (Soldering Iron) (IEC 60068-2-20)
Soldering Heat Resistance	260°C, 5 sec. (IEC 60068-2-20)		260°C, 5 sec. (Soldering bath) (IEC 60068-2-20)
Minimum Cross Section	Conducting path - 0.2mm ²		
Marking	830, 250V, Approvals	831, 250V, Approvals	834, 250V, Approvals
Unit Weight	4.4g (Holder) / 1.6g (835) / 2.2g (837)	4.1g (Holder) / 1.6g (835) / 2.2g (837)	3.5g (834) / 1.6g (835) / 2.2g (837)

Agency approvals and ordering information is included on the next page.

Agency Approval

Agency	Agency File Number		
	830 Series	831 Series	834 Series
	120623	123441	006913 UG
	608509	608510	608511
	E70164		
	47574		

Ordering Information

Ordering PN	Description
Fuseholder	
830 0000 0005	ACS 5x20mm Fuseholder 830 Series for 250V
831 0000 0005	ACS 5x20mm Fuseholder 831 Series for 250V
834 0000 0005	ACS 5x20mm Fuseholder 834 Series for 250V
Fuseholder Cap	
835 0000 0005	ACS 5x20mm Fuseholder CAP 835 Series
837 0000 0005	ACS 5x20mm Fuseholder CAP 837 Series

Additional Information



Datasheet
830 Series



Resources
830 Series



Samples
830 Series



Datasheet
831 Series



Resources
831 Series



Samples
831 Series



Datasheet
834 Series



Resources
834 Series



Samples
834 Series