



Compact design

Double insulated

Integrated thermostat or hygrostat

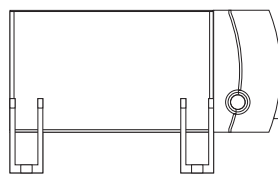
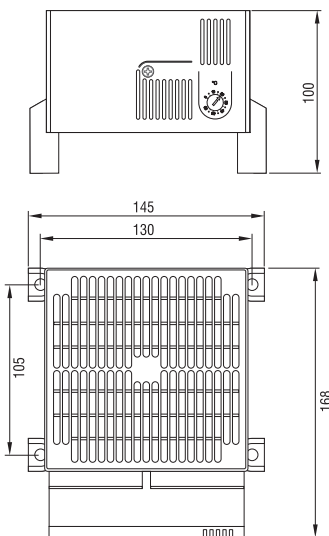
The compact high performance fan heater prevents formation of condensation and frost and provides an evenly distributed interior air temperature in enclosures with electric/electronic components. The plastic enclosure provides double insulation and acts as protection against contact. The fan heater is available with integrated thermostat or pre-set hygrostat for temperature or humidity control. The CR 030 was designed as a stationary unit for the bottom of the enclosure. For wall fixing the fan heater CR 130 is recommended.



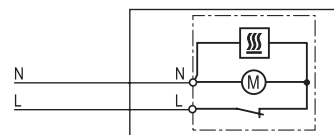
Technical Data

Heating element	high performance cartridge
Temperature safety cut-out	to protect against overheating in case of fan failure, automatic reset
Heater body	extruded aluminium profile
Axial fan, ball bearing	airflow 160m³/h, free flow service life 50,000h at 25°C (77°F)
Connection	2-pole max. 2.5mm², clamping screw with strain relief, torque 0.8Nm max.
Casing	plastic according to UL94 V-0, black
Mounting	screw fixing (M5)
Fitting position	vertical airflow (air outlet up) – other fitting positions possible
Dimensions	168 x 145 x 100mm
Weight	approx. 1.4kg
Operating* / Storage temperature	-45 to +70°C (-49 to +158°F)
Operating / Storage humidity	max. 90% RH (non-condensing)
Protection type / Protection class	IP20 / II (double insulated)
Note	other heating capacities from 200W up available on request

*Operating temperature of heater with integrated hygrostat: 0 to +60°C (+32 to +140°F)



Connection diagram



Art. No.	Model	Operating voltage	Heating capacity	Pre-fuse T (time-delay)	Setting range	Approvals
03051.0-00	Fan Heater with thermostat	230VAC, 50/60Hz	950W	8A	0 to +60°C	VDE + UL File No. E234324*
03051.0-02	Fan Heater with hygrostat	230VAC, 50/60Hz	950W	8A	65% RH, factory-set	VDE + UL File No. E234324*
03059.9-00	Fan Heater with thermostat	120VAC, 50/60Hz	950W	12.5A	+32 to +140°F	UL File No. E234324*

*according to UL 499, intended for the use within an enclosure in accordance with UL 508A