

**PLEASE CHECK WWW.MOLEX.COM FOR LATEST PART INFORMATION**

**Part Number:** [2035552022](#)  
**Status:** **Active**  
**Overview:** CP Wire-to-Board and Wire-to-Wire Connector Systems  
**Description:** CP-6.5 Header, 6.50mm Pitch, Dual Row, Right-Angle, Polarized, Surface Mount, Tape and Reel Packaging, 2 Circuits, Red

**Documents:**

[3D Model](#) [Test Summary 2035550001-TS-000 \(PDF\)](#)  
[Drawing \(PDF\)](#) [RoHS Certificate of Compliance \(PDF\)](#)  
[Product Specification 2035550001-PS-000 \(PDF\)](#)

**Agency Certification**

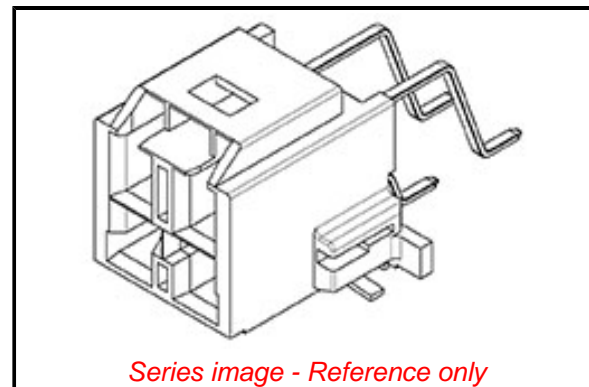
UL E29179

**General**

Product Family PCB Headers  
Series [203555](#)  
Application Power, Wire-to-Board  
CURRENT-MAX-NUMERIC 11.8  
Comments See Product Specification for maximum current rating by circuit size and wire AWG, See Product Specification for maximum current rating by circuit size and wire AWG  
Datasheet Order No 987651-1601  
Overview [CP Wire-to-Board and Wire-to-Wire Connector Systems](#)  
PITCH-MATING-NUMERIC 6.50  
Product Name CP-6.5  
UPC 191130538539

**Physical**

Breakaway No  
Circuits (Loaded) 2  
Circuits (maximum) 2  
Color - Resin Red  
Durability (mating cycles max) 30  
First Mate / Last Break No  
Flammability 94V-0  
Glow-Wire Capable No  
Guide to Mating Part No  
Keying to Mating Part Yes  
Lock to Mating Part Yes  
Material - Metal Copper Alloy  
Material - Plating Mating Matte Tin  
Material - Plating Termination Matte Tin  
Material - Resin Nylon  
Net Weight 1.965/g  
Number of Rows 2  
Orientation Right Angle  
PCB Locator Yes  
PCB Retention Yes  
Packaging Type Embossed Tape on Reel  
Pitch - Mating Interface 6.50mm  
Pitch - Termination Interface 6.50mm  
Plating min - Mating 1.270µm  
Plating min - Termination 1.270µm  
Polarized to Mating Part Yes  
Polarized to PCB Yes  
Temperature Range - Operating -40° to +105°C



Series image - Reference only

**EU ELV**

**Not Relevant**

**EU RoHS**

**Compliant**

**REACH SVHC**

Not Contained Per  
-ED/88/2018 (15  
January 2019)

**Halogen-Free**

**Status**

**Not Low-Halogen**

For more information, please visit [Contact US](#)

China ROHS

ELV

RoHS Phthalates

**China RoHS**

Green Image

Not Relevant

Not Contained

**Search Parts in this Series**

[203555 Series](#)

**Mates With**

CP-6.5 Receptacle Housing [1512072209](#)

Termination Interface: Style

Surface Mount

**Electrical**

Current - Maximum per Contact

11.8A

Voltage - Maximum

600V AC (RMS)/DC

**Material Info**

**Reference - Drawing Numbers**

Product Specification

2035550001-PS-000

Sales Drawing

2035552000-SD-000

Test Summary

2035550001-TS-000

This document was generated on 09/25/2019

**PLEASE CHECK [WWW.MOLEX.COM](http://WWW.MOLEX.COM) FOR LATEST PART INFORMATION**