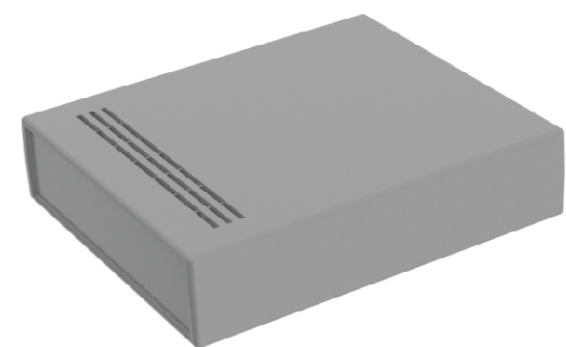
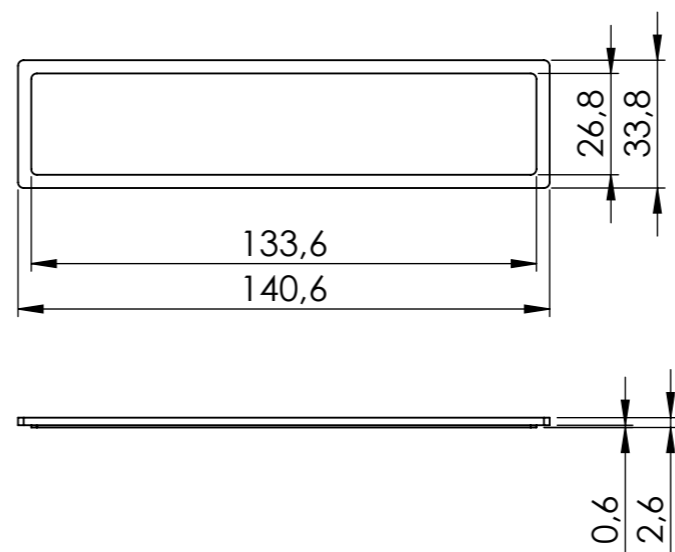


Panel



- Components:
- top
 - bottom
 - 2x panel
 - 4x screw
 - 4x foot

Dimensional tolerance: $\pm 0,5$ mm

Format	Scale
A3	1:2
Product No.	
KM - 190W	



MASZCZYK®
PLASTIC ENCLOSURES

„MASZCZYK”
05-071 Sulejówek-Miłosna
ul. Mickiewicza 10
tel: (22) 783-45-20 kom: 602-726-086