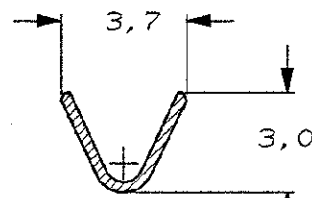
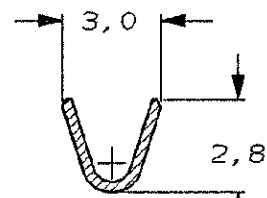
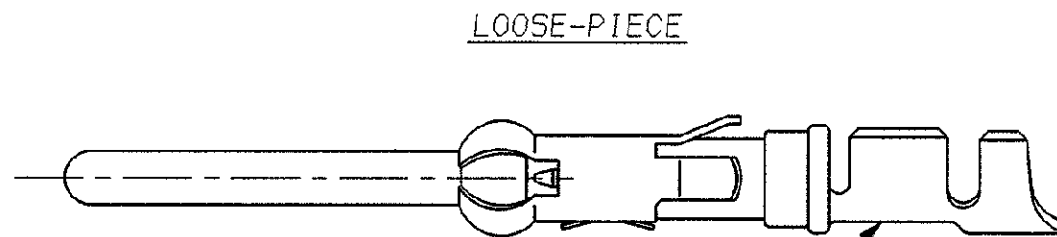
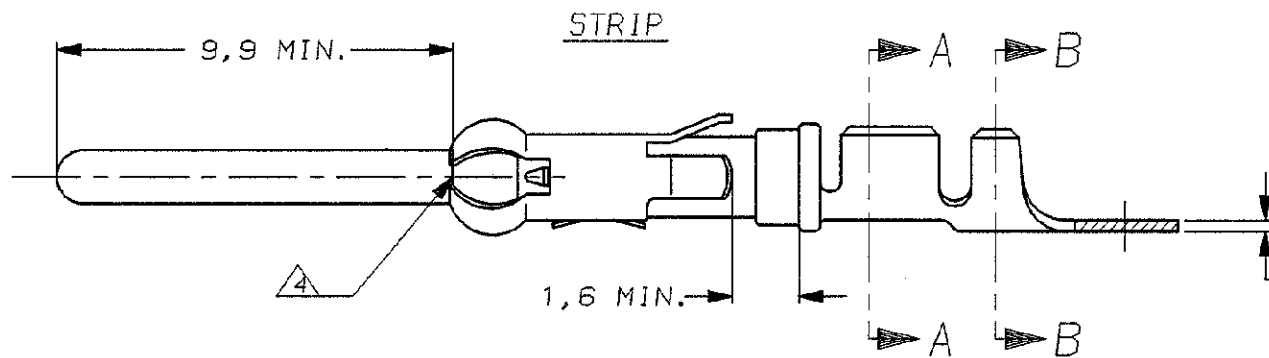
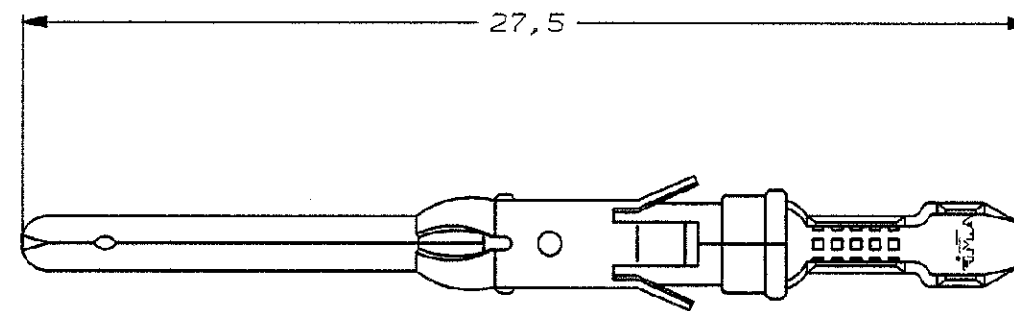
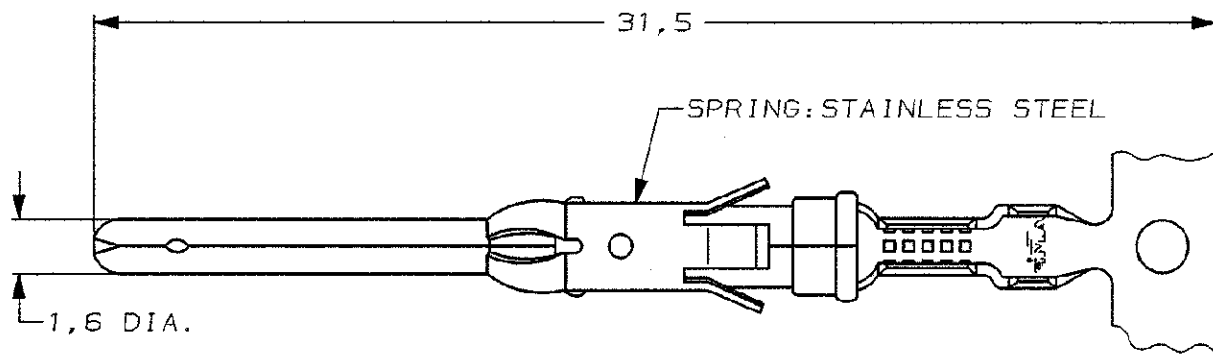


DO NOT SCALE

DIMENSIONS IN mm

METRIC

THIRD ANGLE
PROJECTION



WIRE RANGE : 0,75-1,50 mm² (18-16 AWG)
INSUL. RANGE : 2,0 -2,5 mm (.080-.100)

NOTES :

- 1 U.L.RECONIZED UNDER FILE E28476 VOL.VI SEC.I .
- 2 FOR CRIMPDETAILS SEE AMP-SPEC. 114-19.000 .
- 3 MEETS PRODUCTSPECIFICATION 108-10042.
- 4 0,40 MAX. GAP BETWEEN SPRING-NOSE AND CONTACT BODY.
- 5 SPECIAL REEL WITH 200 PCS FOR REEL-FED HANDTOOL.

NOTES	MATERIAL	THICKNESS	AREA
20	TIN	2,0 μm	ALL OVER
21	NICKEL GOLD TIN/LEAD	0,8 μm	ALL OVER CONTACT AREA BARREL
22	NICKEL GOLD GOLD	0,8 μm	ALL OVER CONTACT AREA ALL OVER
23	NICKEL GOLD GOLD	1,2 μm	ALL OVER CONTACT AREA ALL OVER
24	NICKEL SILVER TIN/LEAD	2,5 μm	ALL OVER CONTACT AREA BARREL
25	SILVER NICKEL	1,5-2,5 μm 0,76 μm	ALL OVER ALL OVER
26	SILVER	2,5 μm	ALL OVER
27	NICKEL	1,27 μm	ALL OVER
28	TIN/LEAD	1,27 μm	ALL OVER
29	LUBRICATED		

DIRECTION OFF TOP OF REEL	
AMPOMATOR + MINI-APPL. 107-3-FIG.1	A
107-3-FIG.2	B
107-3-FIG.4	C

PARTNUMBER	DIRECTION OF REEL	LOOSE-PIECE	MATERIAL	PLATING
5-163081-3	A		BRASS	ECON.GOLD
5-163081-2	A		BRASS	SEL.GOLD
5-163081-1	A		BRASS	EL.TIN
1-163081-8	A	1-163082-8	BRASS	TIN/LEAD
1-163081-7	A		BRASS	SILVER
1-163081-6	B	1-163082-6	BRASS	SILVER
1-163081-5	A		PH.BRONZE	PRE-TIN
1-163081-4	B		PH.BRONZE	PRE-TIN
1-163081-3	A		BRASS	PRE-TIN
1-163081-2	B		BRASS	PRE-TIN
1-163081-1	A	1-163082-0	BRASS	ECON.GOLD
1-163081-0	B		BRASS	ECON.GOLD
163081-9	A	1-163082-1	BRASS	EL.TIN
163081-8	A		BRASS	EL.TIN
163081-7	A		BRASS	SEL.GOLD
163081-2	B	163082-2	BRASS	SEL.GOLD
163081-1	B	163082-1	BRASS	EL.TIN

LTR.	REVISION RECORD	DR.	CHK.	DATE
AW	EBD0-0335-04	JMS	FWK	02-08-04
W	EH-1347-96	JvL	RV	21-11-96
V	EH-0302-94	JvL	MvD	03-05-94
U	ECN H-9813	JvdH	RD	18-05-92
T	ECN H-9192	MvD	RD	09-10-91

DR.	CHK.	APP.	DWG. No.
-	-	-	163081
DATE:	DATE:	DATE:	
-	-	-	

CUSTOMER DRAWING FOR REFERENCE ONLY
WILL NOT BE UPDATED

© COPYRIGHT 19- BY AMP HOLLAND B.V.
ALL INTERNATIONAL RIGHTS RESERVED. AMP PRODUCTS MAY BE
COVERED BY U.S. AND FOREIGN AND/OR PATENTS PENDING.
THIS DRAWING IS UNPUBLISHED
RELEASED FOR PUBLICATION

AMP AMP HOLLAND B.V.
's-Hertogenbosch,
The Netherlands.

PIN TYPE III CONTACT
SIZE 16

REV.LTR.	SHEET
AW	1 OF 1