



MICRO SWITCH

FREEPORT, ILLINOIS, U.S.A.
A DIVISION OF HONEYWELL

FED. MFG. CODE 91929

SWITCH - BASIC

CATALOG LISTING

BZ-2RQ-A2

ALF1000

BZ-2RQ-A2

PAGE 1 OF 1

REPLACES

RELEASE NO.

DRAWING NUMBER

6

ISSUE

REVISIONS

A	CO17410	OMW	22 FEB 65
B	73287-D	KDR	8 JULY 93
C	77589	KDR	29 MAR 94
D	C093346	DLT	10 SEP 98
E	0015139	TSG	23 AUG 05

CHECK 23 AUG 05 RJ 23 AUG 05

CHECK 10 SEP 98

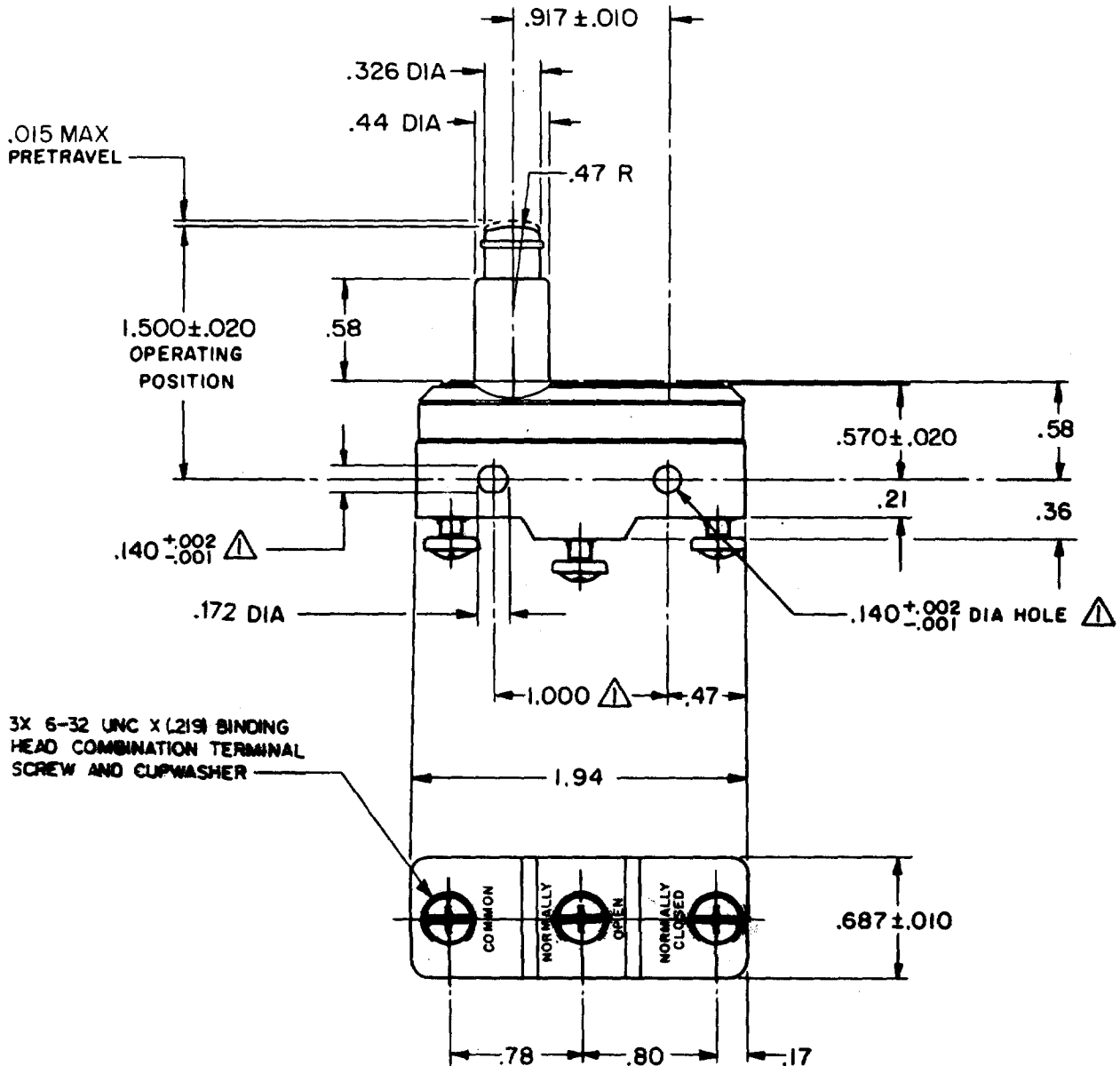
CHECK 23 AUG 05

FORMTEK

FC-50376

DRAWN

CHECK 22 FEB 65 L S D 14 MAY 65



NOTE
 ▲ - MOUNTING HOLES WILL ACCEPT PINS OR SCREWS OF .139 MAX DIA ON 1.000 ± .002 CENTERS

THIS DRAWING COVERS A PROPRIETARY ITEM AND IS THE PROPERTY OF MICRO SWITCH, A DIVISION OF HONEYWELL. THIS DRAWING IS NOT TO BE COPIED OR USED WITHOUT THE APPROVAL OF MICRO SWITCH.

CHARACTERISTICS	ELECTRICAL DATA	SCALE FULL
OPERATING FORCE ----- 9-13 OZ	CONTACT ARRANGEMENT S P D T	DO NOT SCALE PRINT
RELEASE FORCE ----- 4 OZ MIN	-L96- 15 A-125, 250, OR 480 VAC 1/2 A-125 VDC; 1/4 A-250 VDC	UNLESS OTHERWISE NOTED DIMENSIONS ARE IN INCHES
DIFFERENTIAL TRAVEL --- .0004-.0020	-L288- -L306- -L315- CE EN 05 EC 16A 250V ~ T85 5E4	TOLERANCES ARE: ONE PLACE (.0) ± .030 TWO PLACE (.00) ± .015 THREE PLACE (.000) ± .005 ANGLES ± .005
OVERTRAVEL ----- .219 MIN		WEIGHT .086 LB