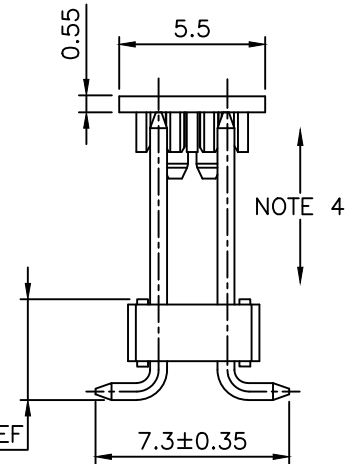
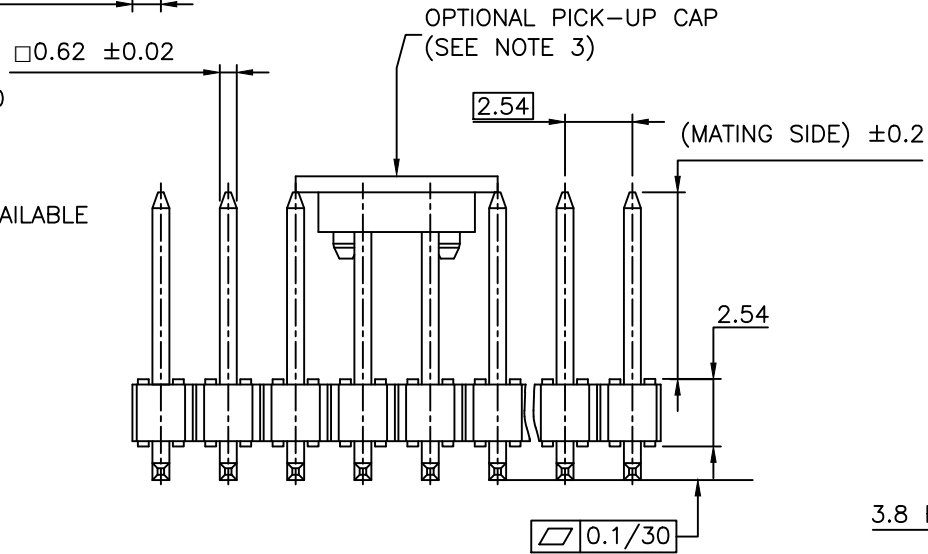
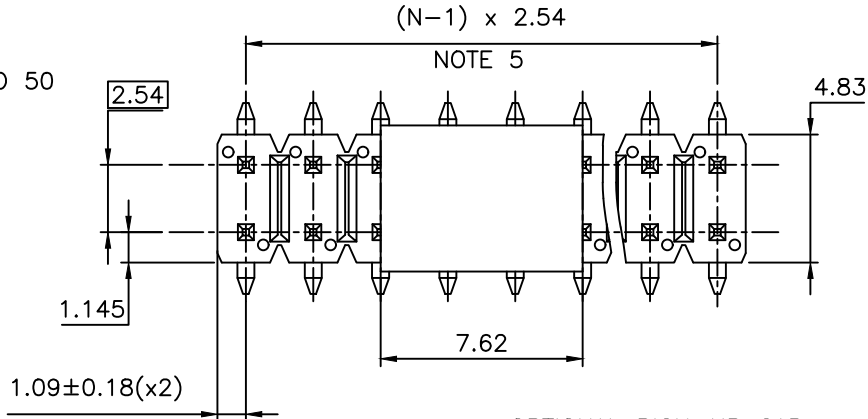


PRODUCT NUMBER
95278-YXX-XXLF

- RoHS COMPATIBLE, NOTE 6.
- TOTAL NB OF POSITIONS 04 TO 50
- PACKAGING OPTIONS, NOTE 3.
- PIN STYLE SEE SHEET 2
- PLATING SEE SHEET 2

NOTES:

1. HOUSING MAT'L : HIGH TEMPERATURE THERMOPLASTIC. UL94V-0 COLOR: BLACK
2. PIN MATERIAL : PHOSPHOR BRONZE
- 3 - PACKAGING OPTIONS:
 - = POLY BAGS
 - B = TUBE + CAP
 - A = TAPE & REEL WITH CAP, AS AVAILABLE
 - TR = CUSTOM TAPE & REEL WITH CAP, SEE TA840 ONLY FOR P/N 95278-102TR04LF AND P/N 95278-101TR10LF
 - T = TUBE WITHOUT PICK UP CAP
 - K = TAPE & REEL WITHOUT PICK UP CAP, AS AVAILABLE
4. 9N MIN RETENTION IN EITHER DIRECTION
5. TO DETERMINE DIMENSIONS :
N = NUMBER OF POSITIONS PER ROW
6. RoHS COMPATIBLE PRODUCT SPECIFICATIONS
 - a - PLATING:
 - "LF" MEANS THE PRODUCT IS LEAD-FREE, 2µm MINIMUM MATTE TIN OVER 1.27µm MINIMUM NICKEL UNDERPLATE.
 - b - MANUFACTURING PROCESS COMPATIBILITY
 - THE HOUSING WILL WITHSTAND EXPOSURE TO 260°C PEAK TEMPERATURE FOR 30 SECONDES IN A CONVECTION, INFRA-RED OR VAPOR PHASE REFLOW OVEN.
 - c - LABELING:
 - MEETS PACKAGING SPECS AS PER GS-14-920
 - d - LEGAL STATEMENT: SEE GS-47-0004

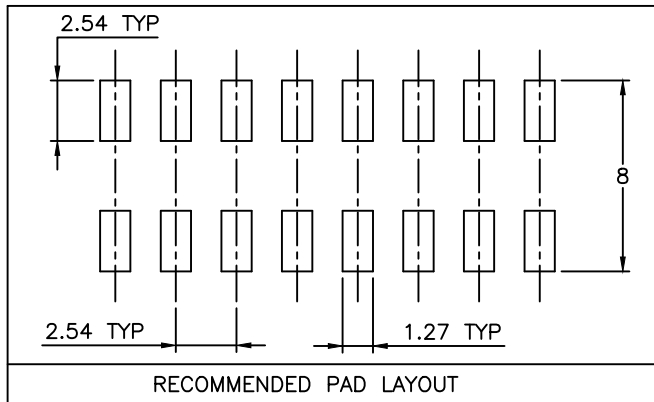


mat'l. code				surface		tolerance		projection		product family	
				ISO 1302		ISO 406 ISO 1101		mm		BERGSTIK	
ltr ecn no dr date				tolerances unless otherwise specified				mm		title	
W F-22120 BVE 15.10.09				angles		linear		mm		UNSHR.HEADER	
X F-22217 BVE 15.10.19						x.xx ±0.3				DR SMT	
Y F-23055 AMA 16.01.15						x.xxx ±0.05		scale 5:1		dwg no	
AA F-23246 AMA 16.02.12 dr				D.LE		01.01.24				sheet 1 of 2	
AB F-23258 AMA 16.02.15 engr				JM.C		01.01.24				size	
AC F-23474 JJU 16.03.08 chr				JM.C		01.01.24				95278	
AD F-31155 DDE 18.09.05 appd				JF.N		01.01.24				A3	
sheet		revision		AD		U				type	
index		sheet		1		2				CUSTOMER Drawing	

PIN STYLE	MATING
01	5.9
02	8
03	9.9
04	11.4
05	9.2
06	10.4
07	5.3
09	17.00
10	8.10
11	8.50
12	3.05
13	14.35
14	4.00
15	6.60

PLATING

- 1 = 0.76µm GOLD/GXT ON CONTACT AREA, 2µm TIN MIN ON TAIL
- 4 = 2µm TIN MIN FULL PLATED
- 5 = 0.25µm GOLD/GXT ON CONTACT AREA, 2µm TIN MIN ON TAIL
- 8 = 0.38µm GOLD/GXT ON CONTACT AREA, 2µm TIN MIN ON TAIL
- 1.27µm NICKEL MIN UNDERLAYER FOR ALL PLATING VERSIONS



mat'l. code				surface		tolerance		projection		product family	
				ISO 1302 ✓		ISO 406 ISO 1101				BERGSTIK	
ltr	ecn no	dr	date	tolerances unless otherwise specified						title	
N	F08-0253	LMU	08.12.10	angles		linear		mm		UNSHR.HEADER	
P	B-18789	LMU	14.09.11							DR SMT	
R	B-18983	LMU	14.10.03					scale N/A		dwg no	
S	B-20276	LMU	15.02.16	dr	D.LE	01.01.24				sheet 2 of - size	
T	B-20561	AMA	15.03.26	enr	JM.C	01.01.24				95278 A3	
U	F-22120	BVE	15.10.09	chr	JM.C	01.01.24				type CUSTOMER Drawing	
				appd	JF.N	01.01.24					
sheet index	revision sheet										