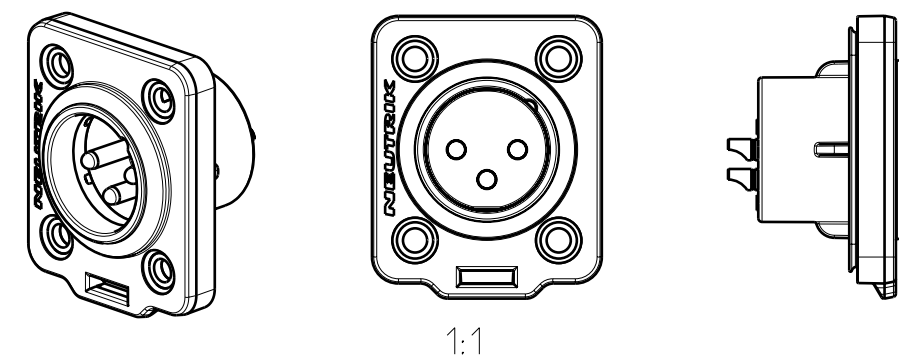
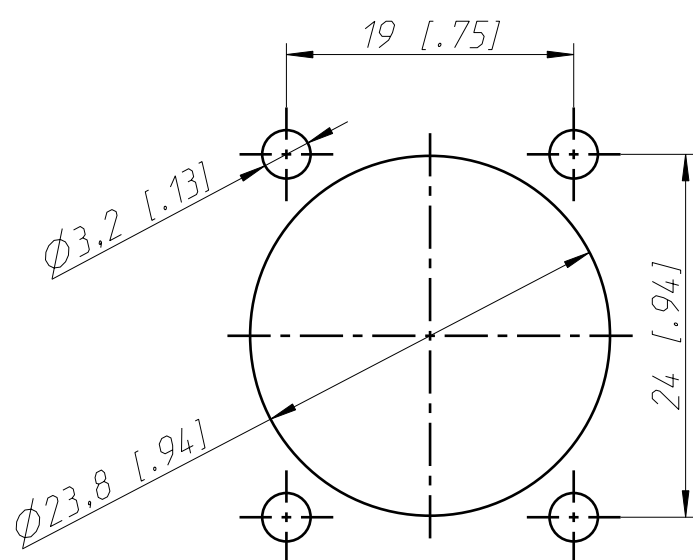


Frontplattenausschnitt
panel cut out



Refer to protection notice ISO 16016.	Scale 2:1 (A3)	Drawn	Date	Name
		Modified	01.03.18	jutz b
Name NC3MDX-TOP	Change-No.	Sheet-No.	Index	
		-	1 / 1	-
NEUTRIK		Replacement for: Drawing-No. ST-NC3MDX-TOP		