

**120**mm sq.

# San Ace 120

38mm thick (SX type)

## General Specifications With a pulse sensor With PWM speed control function

- Material ..... Frame: Aluminum, Impeller:Plastics (Flammability: UL94V-1)
- Expected Life .....Varies for each model  
(L10:Survival rate:90% at 60°C, rated voltage, and continuously run in a free air state)
- Lead Wire ..... ⊕red ⊖black (Sensor) yellow (Control) brown
- Storage Temperature ... -30°C to +70°C (Non-condensing)

**120×120×38mm** (Mass : 390g) **SX type**

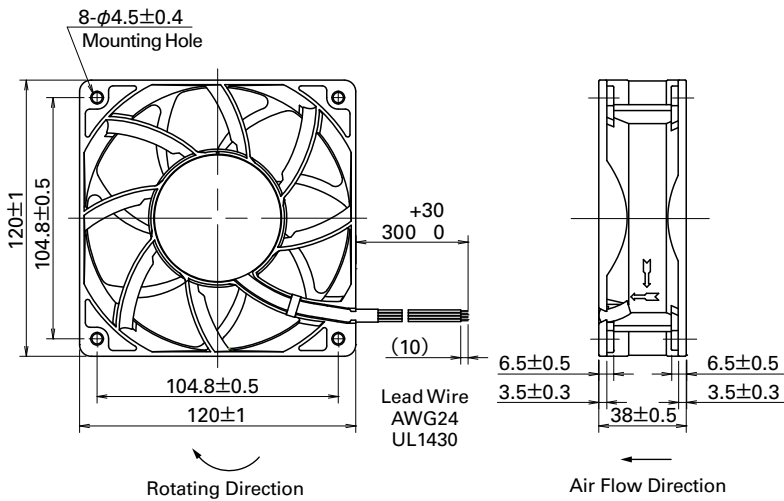
## Specifications

Model No.	Rated Voltage [V]	Operating Voltage Range [V]	PWM duty cycle* [%]	Rated Current [A]	Rated Input [W]	Rated Speed [min <sup>-1</sup> ]	Max. Air Flow [m <sup>3</sup> /min] [CFM]	Max. Static Pressure [Pa] [inchH <sub>2</sub> O]	SPL [dB(A)]	Operating Temperature [°C]	Expected Life [h]
9SX1212P1K001	12	10.8 to 13.2	100	4.4	52.8	7,400	7.3 257.7	480 1.93	66	-10 to +60	40,000
			15	0.5	6.0	2,600	2.5 88.2	59 0.23	37		

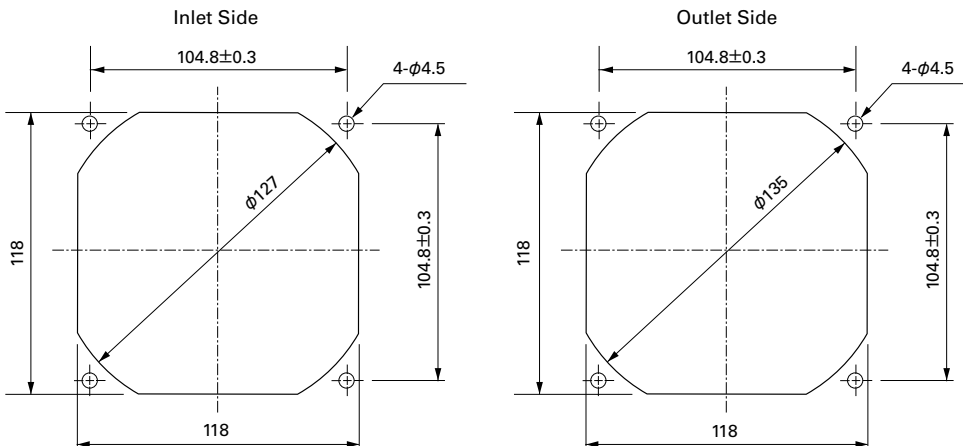
Note: Fan does not rotate when PWM duty cycle is 0% .

※PWM Frequency : 25kHz

## Dimensions (Unit : mm)



## Reference dimension of mounting holes and vent opening (Unit : mm)

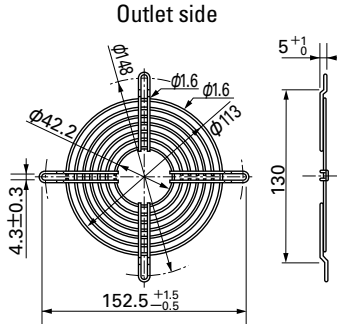


## Options (Unit : mm)

### Finger guards

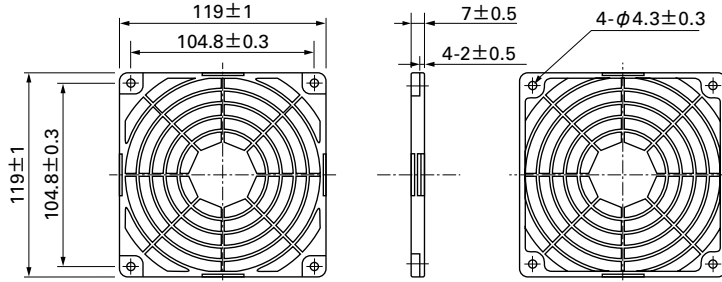
Model : 109-019C Surface treatment : Nickel-chrome plating (silver)  
 : 109-019H : Cation electropainting (black)

Color



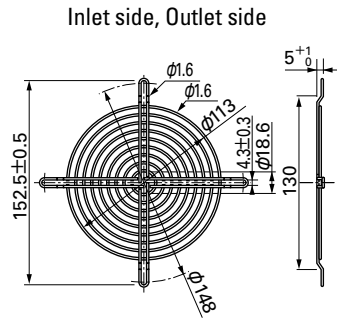
### Resin finger guards

Model : 109-1000G



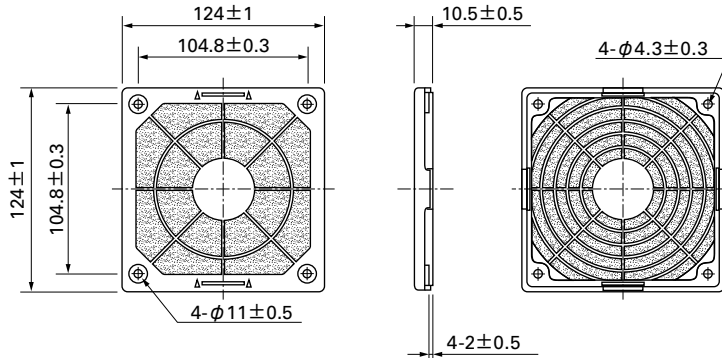
Model : 109-019E Surface treatment : Nickel-chrome plating (silver)  
 : 109-019K : Cation electropainting (black)

Color



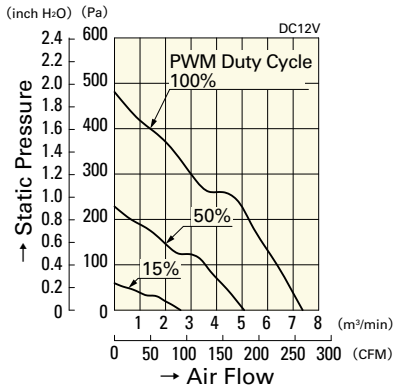
### Resin filter kits

Model : 109-1000F13 (13PPI), 109-1000F20 (20PPI)  
 : 109-1000F30 (30PPI), 109-1000F40 (40PPI)



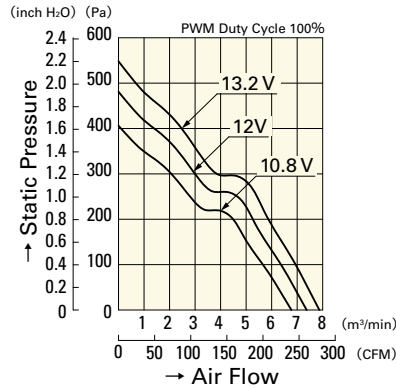
## Air Flow - Static Pressure Characteristics

### PWM Duty Cycle



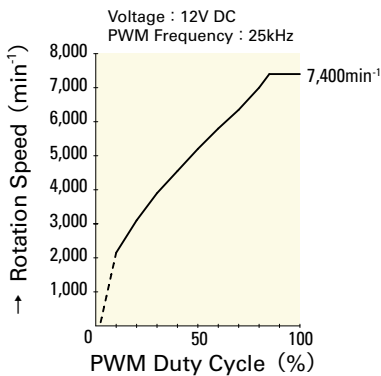
9SX1212P1K001

### Operating Voltage Range



9SX1212P1K001

## PWM Duty - Speed Characteristics Example



9SX1212P1K001