

PLEASE CHECK WWW.MOLEX.COM FOR LATEST PART INFORMATION

Part Number: [0039012221](#)
Status: **Active**
Overview: [Mini-Fit Family Power Connectors](#)
Description: [Mini-Fit Jr. Plug Housing, Dual Row, 22 Circuits, UL 94V-2, with Panel Mounting Ears, Natural](#)

Documents:

3D Model	Application Specification 55560001-AS-000 (PDF)
Drawing (PDF)	Application Specification AS-5557-001-001 (PDF)
3D Model (PDF)	Packaging Specification PK-5559-001-001 (PDF)
Product Specification PS-45750-001-001 (PDF)	Test Summary 55560010-TS-000 (PDF)
Product Specification PS-5556-001-001 (PDF)	RoHS Certificate of Compliance (PDF)

Agency Certification

CSA	LR19980
UL	E29179

General

Product Family	Crimp Housings
Series	5559
Application	Power, Wire-to-Board, Wire-to-Wire
Comments	Current = 13A max. per circuit when header is mated to a receptacle loaded with 45750 series terminals crimped to 16 AWG wire. . See Molex product specification PS-45750-001 for additional current derating information.
Overview	Mini-Fit Family Power Connectors
Product Name	Mini-Fit Jr.
UPC	800753584037

Physical

Breakaway	No
Circuits (maximum)	22
Color - Resin	Natural
Flammability	94V-2
Gender	Plug
Glow-Wire Capable	No
Material - Resin	Nylon
Net Weight	6301.000/mg
Number of Rows	2
Packaging Type	Bag
Panel Mount	Yes
Pitch - Mating Interface	4.20mm
Pitch - Termination Interface	4.20mm
Polarized to Mating Part	Yes
Stackable	No
Temperature Range - Operating	-40° to +105°C

Electrical

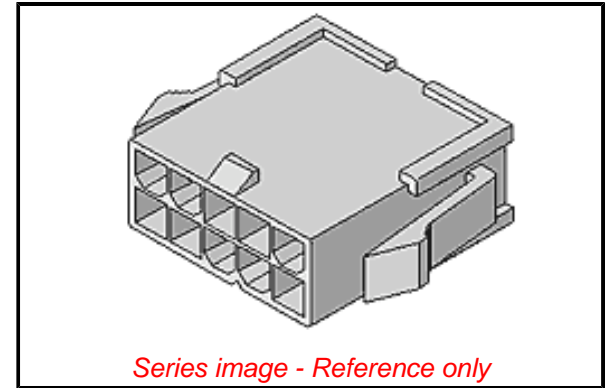
Current - Maximum per Contact	13.0A
-------------------------------	-------

Material Info

Engineering Number	5559-22P
--------------------	----------

Reference - Drawing Numbers

Application Specification	55560001-AS-000, AS-5557-001-001
Packaging Specification	PK-5559-001-001
Product Specification	PS-45750-001-001, PS-5556-001-001



EU ELV

Not Relevant

EU RoHS

Compliant

REACH SVHC

Not Contained Per -
D(2021)4569-DC (8
July 2021)

Halogen-Free

Status

Low-Halogen

For more information, please visit [Contact US](#)

China ROHS

ELV

RoHS Phthalates

China RoHS

Green Image

Not Relevant

Not Contained

Search Parts in this Series

[5559](#) Series

Mates With

Mini-Fit Jr. Receptacle Housing [5557](#)

Use With

Mini-Fit Male Crimp Terminals [5558](#)

Mini-Fit Plus HCS Crimp Terminals
[46012](#)
Mini-Fit Jr. Grounding Pin [30490](#)

Mini-Fit Pre-Crimped Leads [797580005](#)
 , [797580013](#)

This document was generated on 01/26/2022

PLEASE CHECK WWW.MOLEX.COM FOR LATEST PART INFORMATION

Mouser Electronics

Authorized Distributor

Click to View Pricing, Inventory, Delivery & Lifecycle Information:

[Molex:](#)

[39-01-2221](#)