

PRODUCT NUMBER
XXXXX-YYHPLF

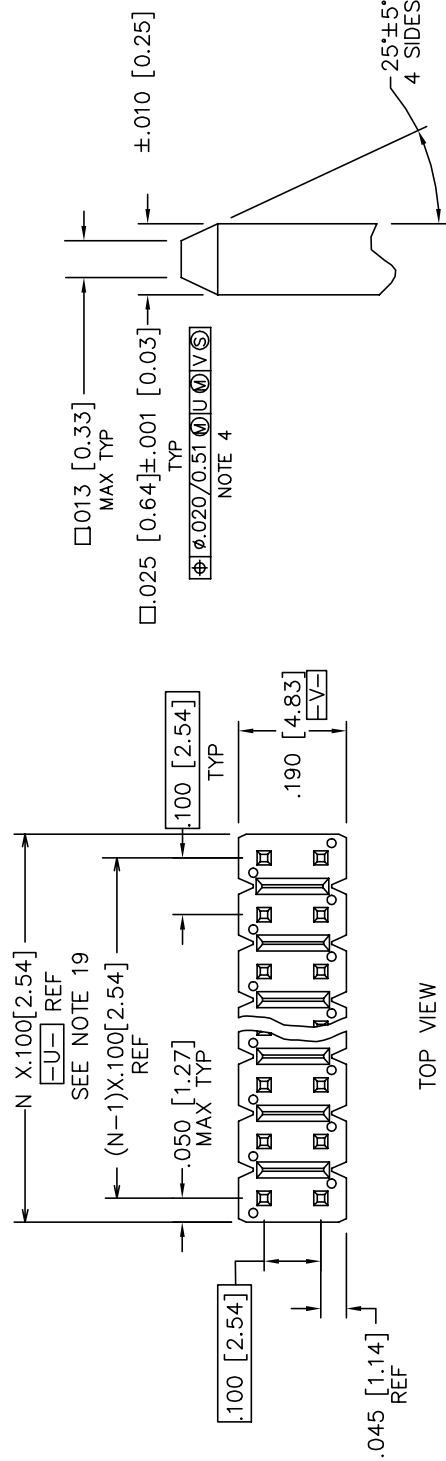
LEAD FREE OPTION
SEE NOTE 1,13
SPECIAL OPTIONS
SEE NOTE 1 OR 10

HIGH TEMPERATURE PLASTIC
SEE NOTE 1

NO. OF
POSITIONS
SEE NOTE 1

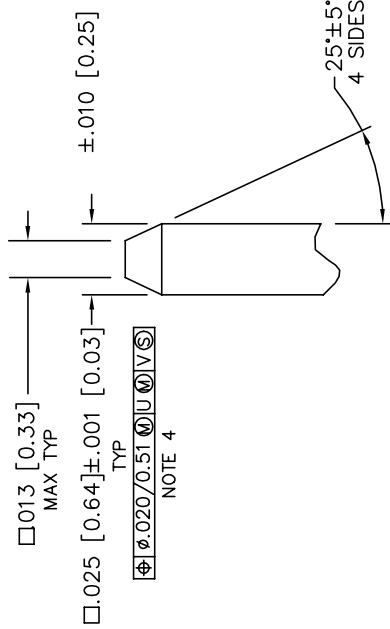
PIN PLATING
SEE SHEET 2

BASE PART NO.

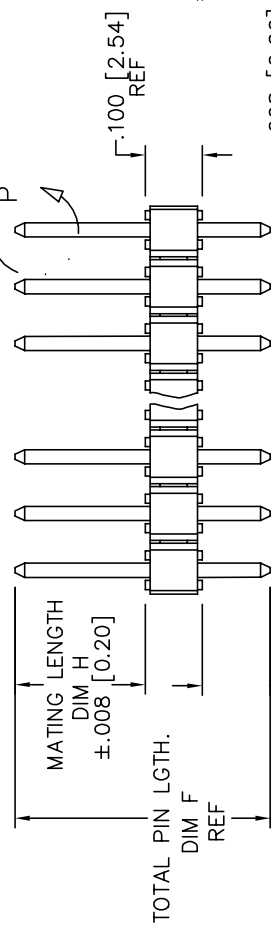


TOP VIEW

DETAIL P
SCALE 5:1
TYP BOTH ENDS



NOTE 4



SIDE VIEW

67996-X XX-XXX XXX LF

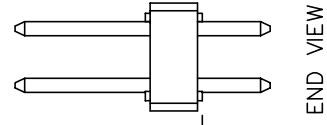
TAIL LENGTH (EXAMPLE BELOW)
3.0mm=030 12.8mm=128
(SEE NOTE 16 & 17)

MATING LENGTH (EXAMPLE BELOW)
5.0mm=050 25.5mm=255
(SEE NOTE 16 & 17)

TOTAL NUMBER OF POSITIONS
FROM 2 (2X1) THRU 72 (2X36) POS.

PIN PLATING (SEE NOTE 14)
1=0.76µm Au
4= PURE TIN
8=0.36µm Au

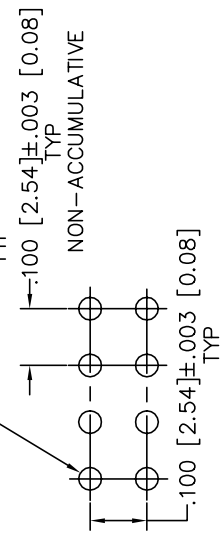
BASE PART NO.
DOUBLE ROW



END VIEW

NOTE 6

RECOMMENDED HOLE PATTERN



NON-ACCUMULATIVE

mat'l. code		surface	tolerance	projection	product family
NOTE 2 & 3		ISO 1302	ISO 406	1st angle	BERGSTIK
ISO 1101		tolerances unless otherwise specified		title	
ltr	ecn no	dr	date	INCH/MM	BERGSTIK II HEADER D/R
DF	N11-0180	JZ	2011-05-31	scale 2:1	.100/2.54cc STRAIGHT
DG	ELX-N-1347J	JZ	2011-11-16	angles	sheet 1 of 8 size
DH	ELX-N-16105	ZK	2013-10-22	linear	A3
				XXXH006/XXE13	Product Customer Drawing
				XXXH020/XXH06	
				dr	dwg no 67996
				enfr	
				chr	
				appd	
sheet	revision	DH			
index	sheet	1	8		

1	2	3	4	5	6
---	---	---	---	---	---

PIN PLATING CODES:

XXXX-1YY	30u"/0.76u MIN (SEE NOTE 14) OVER 50u"/1.27u MIN Ni
XXXX-2YY	15u"/0.38u MIN (SEE NOTE 14) OVER 50u"/1.27u MIN Ni
XXXX-3YY	50u"/1.27u MIN (SEE NOTE 14) OVER 50u"/1.27u MIN Ni
XXXX-4YY	100u"/2.54u MIN Sn OVER 50u"/1.27u MIN Ni (SEE NOTE 15)
XXXX-4YYHLF	
XXXX-5YY	15u"/0.38u MIN (SEE NOTE 14) OVER 50u"/1.27u MIN Ni
XXXX-6YY	30u"/0.76u MIN (SEE NOTE 14) OVER 50u"/1.27u MIN Ni
XXXX-7YY	30u"/0.76u MIN (SEE NOTE 14) OVER 50u"/1.27u MIN Ni
XXXX-8YY	15u"/0.38u MIN (SEE NOTE 14) OVER 50u"/1.27u MIN Ni
XXXX-9YY	15u"/0.38u MIN (SEE NOTE 14) OVER 50u"/1.27u MIN Ni
XXXX-0YY	30u"/0.76u MIN (SEE NOTE 14) OVER 50u"/1.27u MIN Ni

NOTES

- PART NUMBER OPTIONS:
PIN PLATING CODES (SEE ABOVE)
- HIGH TEMPERATURE MATERIAL:
PART NUMBERS WITH AND WITHOUT "H" WILL BE SUPPLIED WITH HIGH TEMPERATURE PLASTIC.

NUMBER OF POSITIONS :

EVEN NUMBER OF POSITIONS FROM 2 (2X1) THROUGH 72 (2X36).
-X00H INDICATES BERGSTRIIP PRODUCT. SEE PAGE 3 FOR SPECIAL GEOMETRY OF THIS CONTINUOUS STRIP PRODUCT. AUTOMATED REELS WILL CONTAIN 45,000 PINS. SEE SPECIFIC PART NUMBERS FOR AVAILABILITY.

PACKAGING:

PACKAGED IN POLY BAGS.
EIGHT DIGIT PART NUMBERS FOLLOWED BY A "T" ARE PACKAGED IN TUBES. SEE SPECIFIC PART NUMBERS FOR AVAILABILITY.
EIGHT DIGIT PART NUMBERS FOLLOWED BY A "G" ARE PACKAGED IN GPAX FOR IBM ONLY. SEE SPECIFIC PART NUMBERS FOR AVAILABILITY.
PART NUMBERS FOLLOWED BY A "C" ARE PACKAGED IN TUBES WITH A PICKUP CAP APPLIED.
EIGHT DIGIT PART NUMBERS FOLLOWED BY A "A" ARE PACKAGED IN TAPE/REEL WITH PICKUP CAP P/N 95730-003 APPLIED, PER BUS-14-345.

LEAD FREE:

ADD "HLF" SUFFIX AT THE END OF PART NUMBER FOR LEAD FREE OPTION, NOT AVAILABLE FOR -5YY, -5YH, -6YY & -6YH

2. BODY MATERIAL:

BODY MATERIAL : MANUFACTURER'S OPTION OF NYLON, PCT GLASS FIBER REINFORCED OR MINERAL FILLED LCP FLAME RETARDENT PER UL-94V-0.
COLOR: BLACK
BERGSTRIIP™ PRODUCED WITH HIGH TEMPERATURE LCP THERMOPLASTIC, FLAME RETARDENT PER UL-94V-0.
COLOR: BLACK
PART NUMBERS WITH "H" AND WITHOUT SUFFIX WILL WITHSTAND EXPOSURE TO 260° C PEAK TEMPERATURE FOR 20 SECONDS IN WAVE SOLDER, INFRA-RED OR VAPOR PHASE SOLDER PROCESS.

3. PIN MATERIAL: PHOS BRONZE.

4. MEASURED WITH PART IN RESTRAINED CONDITION.

5. TWO SIDES OF PIN TIPS NOT PLATED. TYPICAL BOTH ENDS.

6. 2LBS/0.9KG MIN PIN RETENTION IN EITHER DIRECTION.

7. MILITARY BERGSTRIIP HEADER P/N XXXXX-XY-MIL NOT AVAILABLE.

8. ±.010/0.25 TOL APPLIES TO ALL "G" TAILS EXCEPT INDICATED PARTS ON TABLE WHERE +.010/0.25 -.000/0.00 APPLIES.

9. NOTCH CONFIGURATION WILL VARY PER VENDOR'S DISCRETION.

10. BERGSTRIIP™ PART NUMBERS FOLLOWED BY BY A "B" ARE BULK PRICED.

11. TAIL LENGTH (DIM. G) TO BE ±.008/.0.20.

12. POSITIONS PER ROW 37 TO 50 CAN BE PRODUCED, BUT FLATNESS AND CURVATURE MAY NOT BE HELD AS CLOSE AS 36 POSITIONS.

13. THESE PRODUCTS MEETS EUROPEAN UNION DIRECTIVES AND OTHER COUNTRY REGULATION AS DESCRIBED IN GS-22-008.

14. PLATING OPTIONS:

PERFORMANCE PLATING WILL BE EITHER GOLD OR GXT ON POST OR TAIL, OPTIONALLY (78~295u"/2~7.5u) TIN ON TAIL.

15. "THIS PRODUCT HAS 100% TIN PLATING IN THE INTERFACE AND HAS NOT BEEN TESTED FOR WHISKER GROWTH IN ALL INTERCONNECT ENVIRONMENTS."

16. THE OAL DON'T EXCEED 34.5mm

17. INCREMENTS BY 0.1mm IN LENGTHS ONLY

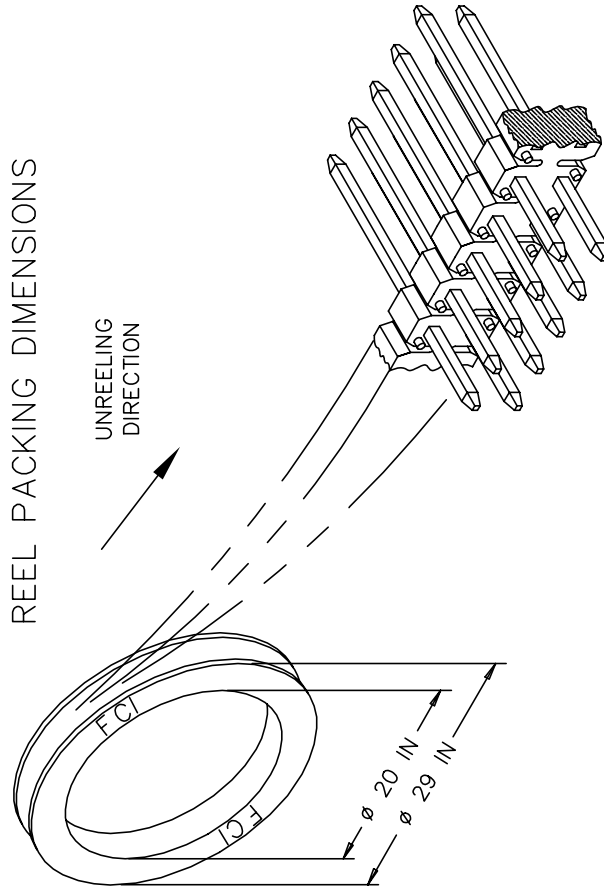
18. FOR SPECIAL PACKAGING REQUEST PLEASE CONTACT PRODUCT MANAGER FOR AVAILABILITY

19. TO DETERMINE DIMENSIONS:

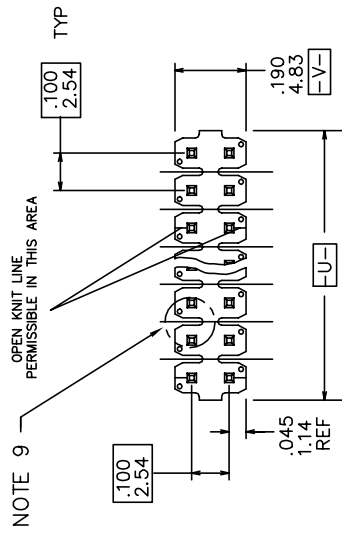
N=NUMBER OF POSITION PER ROW
EXAMPLE: 10 POS. N X .100/2.54

mat'l. code	surface	tolerance	projection	product family
NOTE 2 & 3	ISO 1302	ISO 406		BERGSTIK
itr	ecn	no	dr	title
DG				BERGSTIK II HEADER D/R
	angles	linear	INCH/MM	.100/2.54cc STRAIGHT
	0°±2°	XXH006/XXL13	scale 2:1	dwg no 67996
	dr	T.BREWBAKER	12/21/94	sheet 2 of 8 size A3
	engr	T.HANNA	12/21/94	Product Customer Drawing
	chr	J.MURPHY	12/21/94	
	appd	T.HANNA	12/21/94	
sheet	revision			
index	sheet			

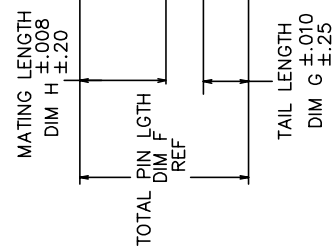
REEL PACKING DIMENSIONS



BERGSTRIIP™ HEADER



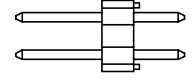
DOUBLE ROW TOP VIEW



DOUBLE ROW SIDE VIEW

.0160 [.41]

REF TYP



END VIEW DOUBLE ROW

NOTE 6

mat'l. code	surface	tolerance	projection	product family
NOTE 2 & 3	ISO 1302	ISO 406	1st angle	BERGSTIK
tr	ecn no	dr	scale	title
DH			2:1	BERGSTIK II HEADER D/R
	angles	linear	INCH/MM	.100/2.54cc STRAIGHT
		XXX/XXX/XXX.XX		dwg no
	0°±2°	12/21/94		67996
	T.BREWBAKER	12/21/94		sheet 3 of 8 size
	T.HANNA	12/21/94		A3
	chr	JMURPHY		Product Customer Drawing
	appd	T.HANNA		
sheet	revision			
index	sheet			

PRODUCT NUMBER	TOT. PIN LGTH.		TAIL LENGTH		MATING LENGTH		PACKAGING	NOTES	BERGSTRIPTM AVAILABLE	LF OPTION
	DIM F	DIM G	DIM F	DIM G	DIM H	DIM H				
55005-XYH	0.597	15.16	0.095	2.41	0.402	10.21	POLY BAGS	YES		OB NOTE 1,13
55030-XYH	0.630	16.00	0.150	3.81	0.380	9.65	POLY BAGS	YES		
67996-XY	0.425	10.80	0.095	2.41	0.230	5.84	POLY BAGS/TUBES	YES		
67997-XY	0.450	11.43	0.120	3.05	0.230	5.84	POLY BAGS/TUBES	YES		
67997-XYH	0.450	11.43	0.120	3.05	0.230	5.84	POLY BAGS/TUBES	YES		
67998-XY	0.525	13.34	0.107	2.72	0.318	8.08	POLY BAGS/TUBES	YES		
67999-XY	0.548	13.92	0.130	3.30	0.318	8.08	POLY BAGS	NO		
68438-XY	0.555	14.10	0.225	5.72	0.230	5.84	POLY BAGS/TUBES	NO		OB
68439-XY	0.720	18.29	0.120	3.05	0.500	12.70	POLY BAGS	NO		OB
68464-XY	0.650	16.51	0.120	3.05	0.430	10.92	POLY BAGS/TUBES	NO		
68481-XY	0.480	12.19	0.095	2.41	0.285	7.24	POLY BAGS/TUBES	NO		
68482-XY	0.938	23.83	0.318	8.08	0.520	13.21	POLY BAGS	NO		
68491-XY	0.475	12.07	0.120	3.05	0.255	6.48	POLY BAGS/TUBES	NO		
68600-XY	0.825	20.96	0.115	2.92	0.610	15.49	POLY BAGS	NO		OB
68601-XY	0.620	15.75	0.120	3.05	0.400	10.16	POLY BAGS	NO		OB
68602-XY	0.480	12.19	0.150	3.81	0.230	5.84	POLY BAGS	YES		
68690-XY	0.533	13.54	0.115	2.92	0.318	8.08	POLY BAGS	NO		
68691-XY	0.538	13.67	0.120	3.05	0.318	8.08	POLY BAGS	YES		
68692-XY	0.430	10.92	0.100	2.54	0.230	5.84	POLY BAGS	NO		
68693-XY	0.938	23.83	0.520	13.21	0.318	8.08	POLY BAGS	NO		
68716-XY	0.828	21.03	0.410	10.41	0.318	8.08	POLY BAGS	NO		OB
68734-XY	0.615	15.62	0.230	5.84	0.285	7.24	POLY BAGS	NO		OB
68737-XY	0.440	11.18	0.110	2.79	0.230	5.84	POLY BAGS	YES		
68738-XY	0.615	15.62	0.115	2.92	0.400	10.16	POLY BAGS	NO		OB
68739-XY	0.486	12.34	0.156	3.96	0.230	5.84	POLY BAGS	NO		
68743-XY	0.638	16.21	0.220	5.59	0.318	8.08	POLY BAGS	NO		
68749-XY	0.838	21.29	0.420	10.67	0.318	8.08	POLY BAGS	NO		OB
68779-XY	0.736	18.69	0.318	8.08	0.318	8.08	POLY BAGS	NO		
68783-XY	0.375	9.53	0.045	1.14	0.230	5.84	POLY BAGS	NO		OB
68799-XY	0.925	23.50	0.595	15.11	0.230	5.84	POLY BAGS	NO		OB NOTE 1,13

mat'l. code	surface	tolerance	projection	product family
NOTE 2 & 3	ISO 1302	ISO 406		BERGSTIK
itr ecn no	date	tolerances unless otherwise specified	INCH/MM	title
DH		angles	scale 2:1	BERGSTIK II HEADER D/R
		linear		.100/2.54cc STRAIGHT
		near		dwg no
		dr T.BREWBAKER		67996
		engr T.HANNA		sheet 4 of 8 size
		chr J.MURPHY		A3
		appd T.HANNA		Product Customer Drawing
sheet index	revision	sheet		



PRODUCT NUMBER	TOT. PIN LGTH.		TAIL LENGTH		MATING LENGTH		BERGSTRIPTM AVAILABLE		LF OPTION
	DIM F	DIM G	ENGLISH	METRIC	DIM H	ENGLISH	METRIC	NOTES	
69132--XYX	0.760	0.120	0.120	3.05	0.540	1.372	POLY BAGS/TUBES		OB NOTE 1,13
69133--XYX	0.615	0.285	0.285	7.24	0.230	5.84	POLY BAGS		
69157--XYX	0.410	0.110	0.110	2.79	0.200	5.08	POLY BAGS		
71217--XYX	1.000	0.450	0.450	11.43	0.450	11.43	POLY BAGS		OB
71222--XYX	0.850	0.250	0.250	6.35	0.500	12.70	POLY BAGS		OB
72273--XYX	0.725	0.110	0.110	2.79	0.515	13.08	POLY BAGS		OB
72448--XYX	0.658	0.172	0.172	4.37	0.386	9.80	POLY BAGS		OB
72455--XYX	0.598	0.180	0.180	4.57	0.318	8.08	POLY BAGS		OB
72455=632HG	0.598	0.180	0.180	4.57	0.318	8.08	GPAX	NOTE 1	OB
73503--XYX	0.420	0.120	0.120	3.05	0.200	5.08	POLY BAGS		OB
73596--XYX	0.795	0.110	0.110	2.79	0.585	14.86	POLY BAGS		OB
74317--XYX	0.532	0.309	0.309	7.85	0.123	3.12	POLY BAGS	NOTE 11	OB
74318--XYX	0.592	0.369	0.369	9.37	0.123	3.12	POLY BAGS	NOTE 11	OB
74999--XYX	0.508	0.090	0.090	2.29	0.318	8.08	POLY BAGS		OB
78212--XYX	0.710	0.350	0.350	8.89	0.260	6.60	POLY BAGS		OB
78233--XYX	0.568	0.150	0.150	3.81	0.318	8.08	POLY BAGS		OB
78269--XYX	0.385	0.095	0.095	2.41	0.190	4.83	POLY BAGS		OB
78286--XYX	0.500	0.160	0.160	4.06	0.240	6.10	POLY BAGS/TUBES		OB
78932--XYX	UNAVAILABLE	UNAVAILABLE	UNAVAILABLE	UNAVAILABLE	UNAVAILABLE	UNAVAILABLE			
78933--XYX	0.695	0.285	0.285	7.24	0.310	7.87	POLY BAGS		OB
78988--XYX	0.540	0.135	0.135	3.43	0.305	7.75	POLY BAGS		OB
78989--XYX	UNAVAILABLE	UNAVAILABLE	UNAVAILABLE	UNAVAILABLE	UNAVAILABLE	UNAVAILABLE			
78990--XYX	UNAVAILABLE	UNAVAILABLE	UNAVAILABLE	UNAVAILABLE	UNAVAILABLE	UNAVAILABLE			
78991--XYX	UNAVAILABLE	UNAVAILABLE	UNAVAILABLE	UNAVAILABLE	UNAVAILABLE	UNAVAILABLE			
78992--XYX	UNAVAILABLE	UNAVAILABLE	UNAVAILABLE	UNAVAILABLE	UNAVAILABLE	UNAVAILABLE			
78993--XYX	UNAVAILABLE	UNAVAILABLE	UNAVAILABLE	UNAVAILABLE	UNAVAILABLE	UNAVAILABLE			
78994--XYX	UNAVAILABLE	UNAVAILABLE	UNAVAILABLE	UNAVAILABLE	UNAVAILABLE	UNAVAILABLE			NOTE 1,13

mat'l. code	surface	tolerance	projection	product family
NOTE 2 & 3	ISO 1302	ISO 406		BERGSTIK
itr ecn no	date	ISO 1101	INCH/MM	title
		tolerances unless otherwise specified	scale 2:1	BERGSTIK II HEADER D/R
		angles		.100/2.54cc STRAIGHT
		linear		dwg no
		0°±2°		67996
		T.BREWBAKER		sheet 5 of 8 size
		12/21/94		A3
		T.HANNA		Product Customer Drawing
		12/21/94		
		J.MURPHY		
		12/21/94		
		appd		
sheet index	revision	sheet		

PRODUCT NUMBER	TOT. PIN LGTH.		TAIL LENGTH		MATING LENGTH		BERGSTRIPTM AVAILABLE		LF OPTION
	DIM F	DIM F	DIM G	DIM G	DIM H	DIM H	NOTES	PACKAGING	
78995-XY	UNAVAILABLE	UNAVAILABLE	UNAVAILABLE	UNAVAILABLE	UNAVAILABLE	UNAVAILABLE			NOTE 1,13
78996-XY	UNAVAILABLE	UNAVAILABLE	UNAVAILABLE	UNAVAILABLE	UNAVAILABLE	UNAVAILABLE			
79242-XY	0.930	23.62	0.340	8.64	0.490	12.45		POLY BAGS	OB
79243-XY	1.230	31.24	0.390	9.91	0.740	18.80		POLY BAGS	OB
79244-XY	UNAVAILABLE	UNAVAILABLE	UNAVAILABLE	UNAVAILABLE	UNAVAILABLE	UNAVAILABLE			
79268-XY	1.020	25.91	0.120	3.05	0.800	20.32		POLY BAGS	OB
79271-XY	1.100	27.94	0.500	12.70	0.500	12.70		POLY BAGS	OB
79425-XY	0.410	10.41	0.120	3.05	0.190	4.83		POLY BAGS	OB
79821-XY	0.730	18.54	0.200	5.08	0.430	10.92		POLY BAGS	OB
84610-XY	0.380	9.65	0.120	3.05	0.160	4.06		POLY BAGS	OB
84760-XY	0.870	22.09	0.150	3.81	0.620	15.74		POLY BAGS	OB
84784-XY	1.130	28.70	0.122	3.09	0.908	23.06		POLY BAGS	OB
84934-XY	1.375	34.93	0.625	15.88	0.650	16.51		POLY BAGS	OB
84976-XY	0.730	18.54	0.400	10.16	0.230	5.84		POLY BAGS	OB
86503-XY	0.470	11.94	0.120	3.05	0.250	6.35		POLY BAGS	OB
86581-XY	0.450	11.43	0.120	3.05	0.230	5.84	NOTE 8	POLY BAGS	OB
86817-XY	0.925	23.50	0.120	3.05	0.705	17.91		POLY BAGS	OB
86827-XY	0.700	17.78	0.120	3.05	0.480	12.19		POLY BAGS	OB
86832-XY	0.525	13.34	0.100	2.54	0.325	8.26		POLY BAGS	OB
86834-XY	1.335	33.91	0.585	14.86	0.650	16.51		POLY BAGS	OB
86836-XY	0.870	22.10	0.120	3.05	0.650	16.51		POLY BAGS	OB
86837-XY	0.600	15.24	0.120	3.05	0.380	9.65		POLY BAGS	OB
87037-XY	1.240	31.50	0.120	3.05	1.020	25.91		POLY BAGS	OB
87052-XY	0.990	25.15	0.120	3.05	0.770	19.56		POLY BAGS	OB
87203-XY	0.545	13.84	0.150	3.81	0.295	7.49		POLY BAGS	OB
87344-XY	1.375	34.93	0.219	5.56	1.056	26.82		POLY BAGS	OB

mat'l. code		surface		tolerance		projection		product family	
NOTE 2 & 3		ISO 1302		ISO 406		INCH/MM		BERGSTIK	
itr ecn no/dr date		tolerances unless otherwise specified		angles		scale 2:1		title	
DH		.XXH000/.XXL13		linear		F		BERGSTIK II HEADER D/R	
		.XXH000/.XXL13		0°±2°		FCI		.100/2.54cc STRAIGHT	
		T.BREWBAKER		dr		12/21/94		dwg no sheet 6 of 8 size	
		T.HANNA		engr		12/21/94		67996	
		J.MURPHY		chr		12/21/94		Product Customer Drawing	
		T.HANNA		appd		12/21/94			
sheet index		revision sheet							

PRODUCT NUMBER	TOT. PIN LGTH.		TAIL LENGTH		MATING LENGTH		BERGSTRIPTM AVAILABLE		LF OPTION
	DIM F	METRIC	DIM G	ENGLISH	DIM H	ENGLISH	DIM I	METRIC	
87345-XY	1.218	30.94	0.406	0.712	18.08				NO
87348-XY	0.930	23.62	0.100	0.730	18.54				NO
87349-XY	0.890	22.61	0.110	0.680	17.27				NO
87381-XY	0.645	16.38	0.100	0.445	11.30				NO
87382-XY	0.675	17.15	0.100	0.475	12.07				NO
87503-XY	0.630	16.00	0.110	0.420	10.67				NO
87869-XY	0.690	17.53	0.230	0.360	9.14				NO
87894-XY	0.588	14.94	0.170	0.318	8.08				NO
87900-XY	0.940	23.88	0.120	0.720	18.29				NO
87901-XY	1.040	26.42	0.120	0.820	20.83				NO
87903-XY	0.963	24.46	0.337	0.526	13.36				NO
88797-XY	0.950	24.13	0.320	0.530	13.46				NO
88812-XY	0.415	10.54	0.085	0.230	5.84			NOTE 8	NO
88886-XY	1.306	33.17	0.276	0.930	23.62				NO
89446-XY	0.930	23.62	0.120	0.710	18.03				NO
89540-XY	0.760	19.30	0.280	0.380	9.65				NO
89542-XY	1.065	27.05	0.125	0.840	21.34				NO
89639-XY	1.260	32.00	0.118	1.042	26.47				NO
91828-XY	0.450	11.43	0.120	0.230	5.84			TUBES	NO
92417-XY	0.530	13.46	0.110	0.320	8.13			POLY BAGS	NO
93216-XY	0.573	14.55	0.155	0.318	8.08			POLY BAGS/TUBES	NO
93216-632HG	0.573	14.55	0.155	0.318	8.08			GPAX	NOTE 1
93217-XY	0.395	10.03	0.095	0.200	5.08			POLY BAGS	NO
93254-XY	0.563	14.30	0.110	0.353	8.97			POLY BAGS	NO

Downloaded from Arrow.com



Copyright FCI

mat'l. code	surface	tolerance	projection	product family
NOTE 2 & 3	ISO 1302	ISO 406		BERGSTIK
itr ecn no/dr	date	ISO 1101		title
DH				BERGSTIK II HEADER D/R
				.100/2.54cc STRAIGHT
				dwg no 67996
				sheet 7 of 8 size A3
sheet index	revision			type Product Customer Drawing



PRODUCT NUMBER	TOT. PIN LGTH.		TAIL LENGTH		MATING LENGTH		BERGSTRIIP AVAILABLE		LF OPTION
	DIM F	DIM G	DIM F	DIM G	DIM H	DIM H	NOTES	PACKAGING	
	ENGLISH	METRIC	ENGLISH	METRIC	ENGLISH	METRIC			
94010-XYH	0.756	19.20	0.350	8.89	0.306	7.77		POLY BAGS	NO
94532-XYH	1.250	31.75	0.450	11.43	0.700	17.78		POLY BAGS	NO
95105-XY	0.370	9.40	0.126	3.20	0.144	3.66		POLY BAGS	NO
95645-XYH	0.350	8.89	0.100	2.54	0.150	3.81		POLY BAGS	NO
95652-XYH	0.500	12.70	0.070	1.78	0.330	8.38		POLY BAGS	NO
95665-XYH	0.835	21.21	0.335	8.51	0.400	10.16		POLY BAGS	NO
95687-XYH	0.820	20.83	0.360	9.14	0.360	9.14	-	POLY BAGS	NO
95712-XYH	1.090	27.69	0.110	2.79	0.880	22.35		POLY BAGS	NO
95727-XYH	0.825	20.96	0.110	2.79	0.615	15.62		POLY BAGS	NO
98181-XYH	0.760	19.30	0.218	5.54	0.442	11.23		POLY BAGS	NO
98217-XYH	0.756	19.20	0.328	8.33	0.328	8.33		POLY BAGS	NO
98329-XYH	0.930	23.62	0.415	10.54	0.415	10.54		POLY BAGS	NO
98854-XYH	0.450	11.43	0.120	3.05	0.230	5.84		TUBES	NO
10017852-XYH	0.450	11.43	0.125	3.18	0.225	5.72		POLYBAGS	NO
10074747-XYH	0.850	21.59	0.520	13.21	0.230	5.84		POLYBAGS	NO

A

B

C

D



mat'l. code		surface		tolerance		projection		product family	
NOTE 2 & 3		ISO 1302		ISO 406		1st angle		BERGSTIK	
itr ecn no/dr date		tolerances unless otherwise specified		ISO 1101		INCH/MM		title	
DH		angles		.XX(X)/.XX(X)		scale 2:1		BERGSTIK II HEADER D/R	
		linear		.XX(X)/.XX(X)				.100/2.54cc STRAIGHT	
		0°±2°		.XXX(X)/.XXX(X)				dwg no 67996	
		T.BREWBAKER		12/21/94				sheet 8 of 8 size	
		engr T.HANNA		12/21/94				A3	
		chr J.MURPHY		12/21/94				type Product Customer Drawing	
sheet index		revision		sheet		sheet			