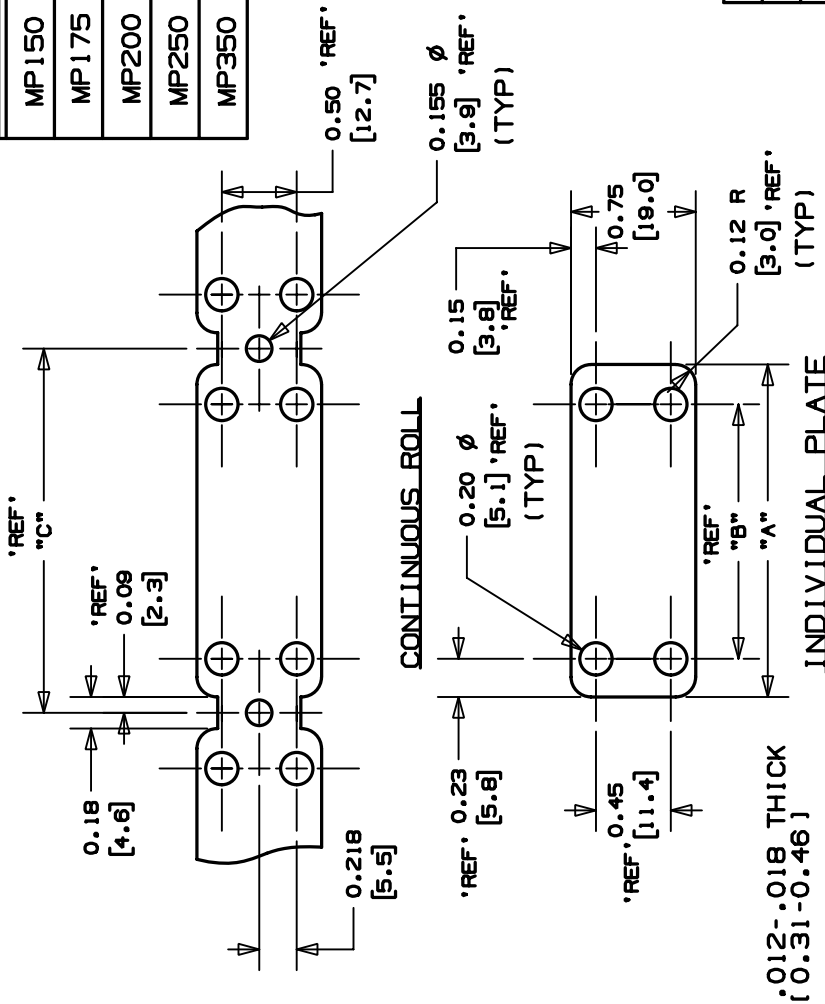
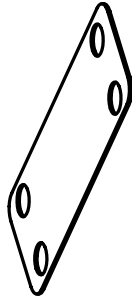


THIS COPY IS PROVIDED ON A RESTRICTED BASIS AND IS NOT TO BE USED IN ANY WAY DETRIMENTAL TO THE INTERESTS OF PANDUIT CORP.

PANDUIT PART NO.	A ±.030 ± (.762)	B	C	WEIGHT lbs./100 (g) / pcs.
MP150	1.50 (38.1)	1.03 (26.2)	1.69 (42.9)	0.07 (30)
MP175	1.75 (44.4)	1.28 (32.5)	1.94 (49.3)	0.08 (36)
MP200	2.00 (50.8)	1.53 (38.9)	2.19 (55.6)	0.09 (30)
MP250	2.50 (63.5)	2.03 (51.6)	2.69 (68.3)	0.12 (55)
MP350	3.50 (88.9)	3.03 (77.7)	—	0.16 (75)



- NOTES:
- SEE CURRENT PRICE SHEET FOR PART NUMBER SUFFIX DESIGNATION FOR PACKAGE SIZE. USE WITH ANY OF THESE TIES!
 - M=MINIATURE
I=INTERMEDIATE
S=STANDARD
 - PART NO. & WEIGHT SHOWN SPECIFIES INDIVIDUAL PIECES. ADD SUFFIX "-R" TO PART NO. TO SPECIFY CONTINUOUS ROLLS OF 1,000 PIECES. PART NO. MP350 IS NOT AVAILABLE IN ROLLS.



DIMENSIONS IN BRACKETS ARE METRIC (mm)
CAD FILE NAME: 6002396M_PB_MRKRPL TE_01

PANDUIT CORP. TINLEY PARK, ILLINOIS

IDENTIFICATION MARKER PLATE

UNLESS OTHERWISE SPECIFIED, DIMENSIONAL TOLERANCES ARE:
(.X) ±0.05 (1.31 (.XXX) ±0.010 (0.25)
(.XX) ±0.02 (0.5) ANGLES ± 9°

SCALE NONE
DRAWING NO. G802396M
DWS
SIZE A

REV	DATE	BY	CHK	DESCRIPTION	ECN	R	CUST	SUP
2	10-22-01	L66		TOOK OF +/- REF FROM 'B' & 'C' DUE TO ADDED 'REF' ON REV 2	G802396M	2		
1	8/14/01	L66		ADDED REF & UPDATED	G802396M	1		
R	1-10-00	JAD		INITIAL RELEASE, REPLACES SS-4551 REV 5	G802396M	R		