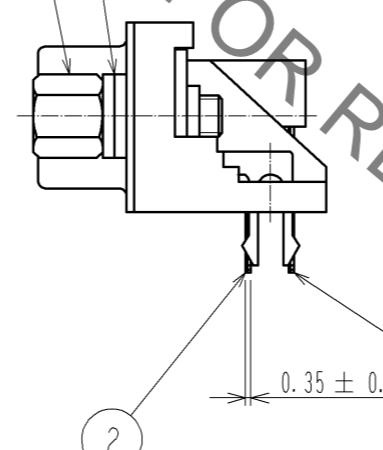
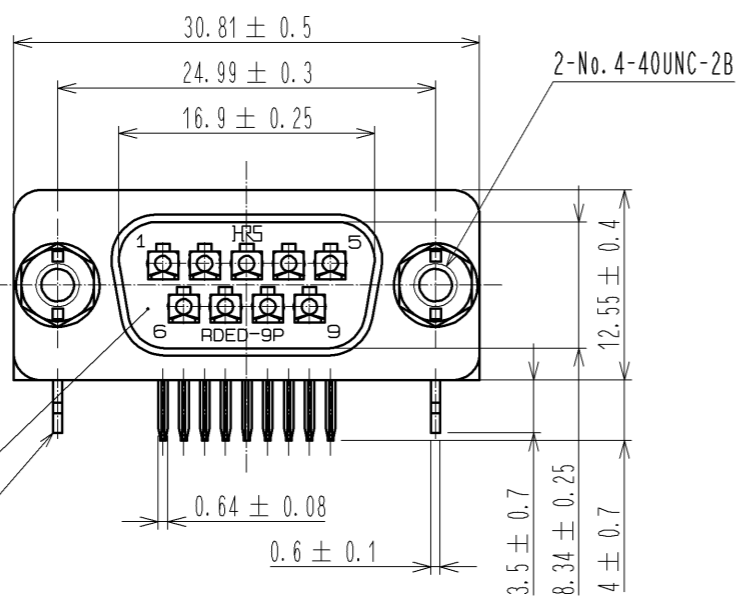
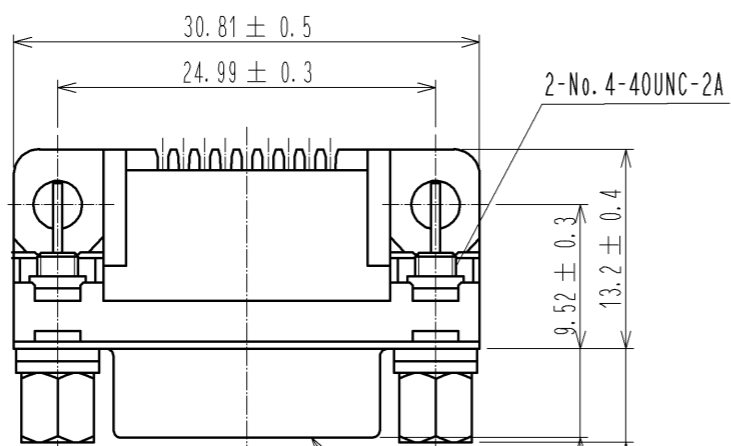
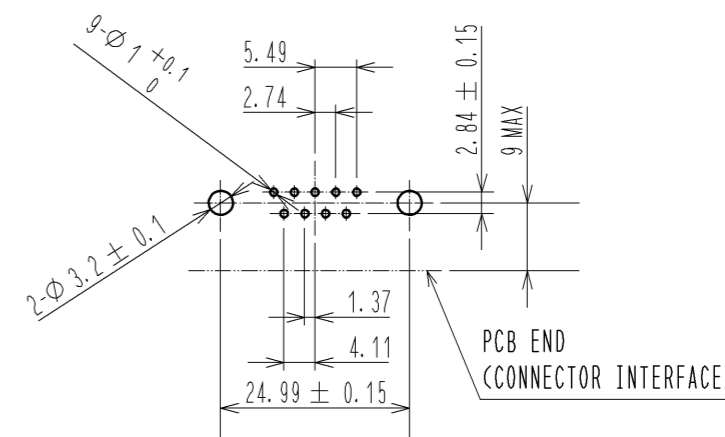


Jan.1.2022 Copyright 2022 HIROSE ELECTRIC CO., LTD. All Rights Reserved.
In case of consideration for using Automotive equipment / device which demand high reliability, kindly contact our sales window correspondents.

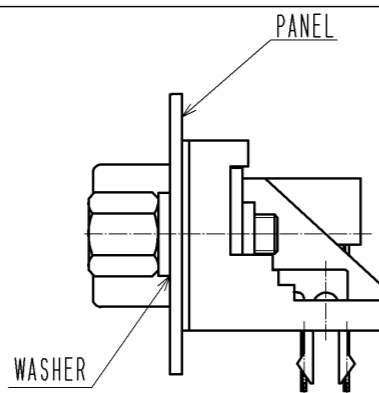


RECOMMENDED PC BOARD PATTERN(MOUNTING SIDE)
(1:1)



NOTE 1. TOLERANCES TO BE ±0.1 UNLESS OTHERWISE SPECIFIED.
2. THICKNESS OF PC BOARD SHALL BE 1.6mm.

PATTERN OF MOUNTING CONNECTOR ON PANEL



BECAUSE THE EFFECTIVE MATING LENGTH CHANGE DEPENDS ON THE THICKNESS OF PANEL.
WHEN THE THICKNESS OF PANEL IS 0.8 TO 1.2mm ONE OF PLAIN WASHER SHALL BE USED AND WHEN THE THICKNESS OF PANEL 1.6mm, THE PLAIN WASHER SHALL NOT BE USED.

3	PBT	BLACK·UL94V-0	7	STEEL	OVER :NICKEL PLATING 2μm MIN UNDER:COPPER PLATING 1μm MIN
2	PHOSPHOR BRONZE	CONTACT:GOLD PLATING 0.2μm MIN LEAD :GOLD PLATING 0.03μm MIN UNDER :NICKEL PLATING 2μm MIN	6	STEEL	OVER :NICKEL PLATING 2μm MIN UNDER:COPPER PLATING 3μm MIN
1	PHOSPHOR BRONZE	CONTACT:GOLD PLATING 0.2μm MIN LEAD :GOLD PLATING 0.03μm MIN UNDER :NICKEL PLATING 2μm MIN	5	PHOSPHOR BRONZE	OVER :TIN PLATING 3μm MIN UNDER:NICKEL PLATING 2μm MIN
			4	STEEL	OVER :NICKEL PLATING 1μm MIN UNDER:COPPER PLATING 5μm MIN
NO.	MATERIAL	FINISH , REMARKS	NO.	MATERIAL	FINISH , REMARKS

UNITS mm		SCALE 2:1	COUNT 	DESCRIPTION OF REVISIONS	DESIGNED	CHECKED	DATE
APPROVED :RI. TAKAYASU 11.01.26				DRAWING NO. EDC3-021970-01			
CHECKED :YH. ENAMI 11.01.26				PART NO. RDED-9PE-LNA(4-40)(55)			
DESIGNED :MT. ITANO 11.01.25				CODE NO. CL211-0495-5-55			
DRAWN :MK. SHOJI 11.01.25							

Mouser Electronics

Authorized Distributor

Click to View Pricing, Inventory, Delivery & Lifecycle Information:

[Hirose Electric:](#)

[RDED-9PE-LNA\(4-40\)\(55\)](#)