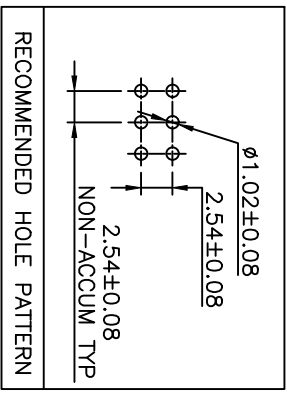
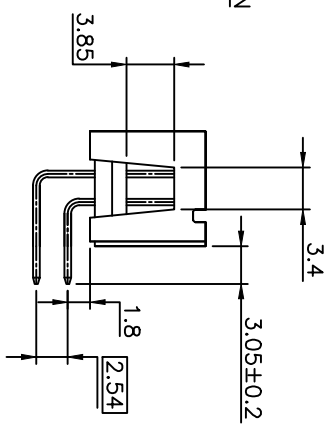
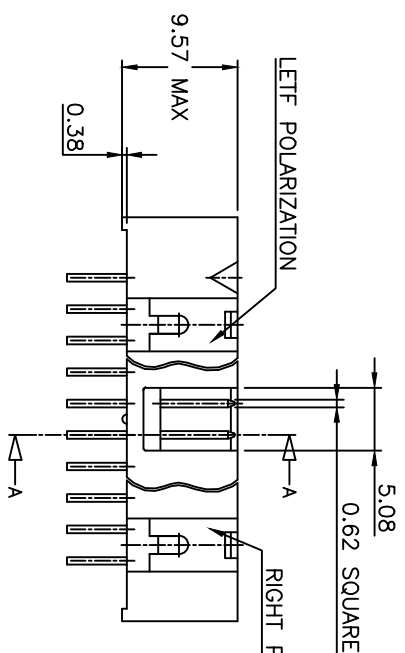
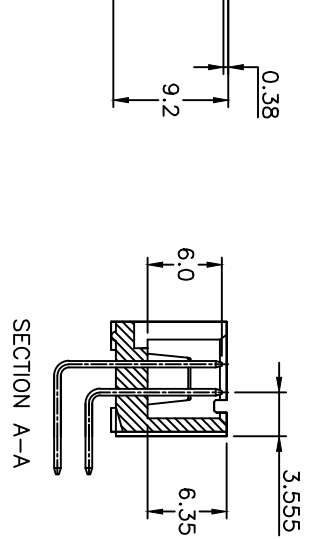
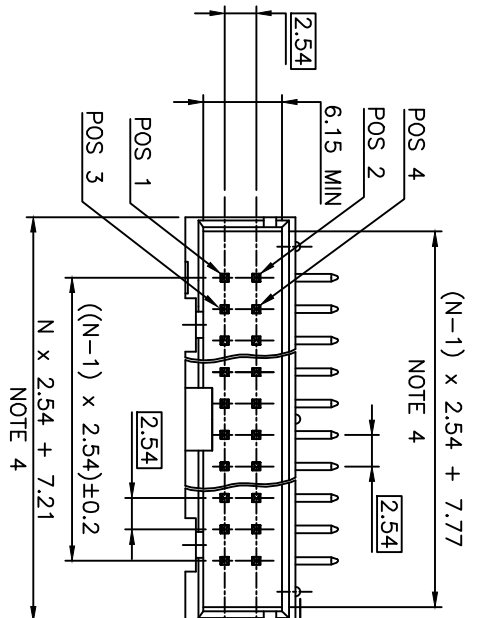


PRODUCT NUMBER
75867-XXXXLF

ROHS COMPATIBLE, SEE NOTE 5
PIN STYLE, SEE SHEET 2
PLATING SEE SHEET 2

NOTES:

- 1 - HOUSING MAT'L : GLASS FILLED THERMOPLASTIC. UL94V-0 COLOR: BLUE
- 2 - PIN MATERIAL : PHOSPHOR BRONZE
- 3 - PACKAGING : POLYBAGS FROM 2X02 TO 2X04 POSITIONS TUBE FROM 2X05 TO 2X32 POSITIONS
- 4 - TO DETERMINE DIMENSIONS : N = NUMBER OF POSITIONS PER ROW
EXAMPLE : 8 POS N x 2.54 = 20.32mm
- 5 - ROHS COMPATIBLE PRODUCT SPECIFICATIONS
 - d - PLATING:
 - "LF" MEANS THE PRODUCT IS LEAD-FREE, 2µm MINIMUM MATTE TIN OVER 1.27µm MINIMUM NICKEL UNDERPLATE.
 - b - MANUFACTURING PROCESS COMPATIBILITY
 - THE HOUSING WILL WITHSTAND EXPOSURE TO 260°C ±5°C SOLDER BATH TEMPERATURE FOR 5 SECONDS IN A WAVE SOLDER APPLICATION WITH A 1.6mm MIN THICK CIRCUIT BOARD.
 - c - LABELLING:
 - MEETS PACKAGING SPECS AS PER GS-14-920
 - d - LEGAL STATEMENT: SEE GS-47-0004



mat'l. code		surface	tolerance	projection	product family
SEE NOTES		ISO 1302	ISO 406 ISO 1101	mm	QUICKIE
lfr	ecn no dr date	tolerances unless otherwise specified	.X ±0.3	mm	title
AL	F06-0335 LMU 06.12.08	angles	.XX ±0.13	mm	SHR.L.P.HEADER
AK	F07-0198 LMU 07.05.30	lineart	.XXX ±0.05	mm	RA DR TMT
AL	F08-0148 YOV 08.04.11	DLE	01.01.24	mm	sheet no
AM	F10-0258 LMU 10.12.15	JF'N	01.01.24	mm	75867
AN	B-19072 LMU 14.10.15	JM.C	01.01.24	mm	sheet 1 of 2
AP	B-19093 LMU 14.10.16	JM.C	01.01.24	mm	size
Sheet	revision	AP	AJ	gppd	A3
Index	Sheet	1	2		CUSTOMER Drawing

STANDARD APPLICATION

PIN STYLE	Nbr OF POSITIONS	LEFT POLARIZATION	RIGHT POLARIZATION
30	2 x 2	NO	NO
31	2 x 3	NO	NO
32	2 x 4	NO	NO
01	2 x 5	NO	YES
02	2 x 7	NO	YES
03	2 x 8	YES	YES
04	2 x 10	YES	YES
05	2 x 13	YES	YES
33	2 x 15	YES	YES
06	2 x 17	YES	YES
07	2 x 20	YES	YES
08	2 x 25	YES	YES
09	2 x 30	YES	YES
10	2 x 32	YES	YES

PLATING :

- 1 = 0.76µm GOLD/GXT
(PdNi WITH GOLD FLASH) ON CONTACT AREA
2µm MIN MATTE TIN ON TAIL
 - 2 = 2µm TIN MIN FULL PLATED
 - 3 = 0.38µm GOLD/GXT
(PdNi WITH GOLD FLASH) ON CONTACT AREA
2µm MIN MATTE TIN ON TAIL
- UNDERPLATE : 1.27µm Ni MIN

APPLICATION SPECIFIC

PIN STYLE	Nbr OF POSITIONS	LEFT POLARIZATION	RIGHT POLARIZATION	OMIT PIN
13	2 x 17	YES	YES	5
14	2 x 20	YES	YES	19
34	2 x 5	NO	YES	5
35	2 x 10	YES	YES	19
36	2 x 20	YES	YES	10
37	2 x 20	YES	YES	11
38	2 x 20	YES	YES	20

PLATING :

- 1 = 0.76µm GOLD/GXT
(PdNi WITH GOLD FLASH) ON CONTACT AREA
2µm MIN MATTE TIN ON TAIL
 - 2 = 2µm TIN MIN FULL PLATED
 - 3 = 0.38µm GOLD/GXT
(PdNi WITH GOLD FLASH) ON CONTACT AREA
2µm MIN MATTE TIN ON TAIL
- UNDERPLATE : 1.27µm Ni MIN



Copyright FCI

mat'l. code	surface	tolerance	projection	product family
AE F04-0388 JCO	ISO 1302	ISO 406 ISO 1001	mm	QUICKIE
AF F06-0228 AH	ISO 1302	ISO 406 ISO 1001	mm	SHR.I.P.HEADER
AG F07-0198 LMU	ISO 1302	ISO 406 ISO 1001	mm	RA DR TMT
AH F08-0148 XOV	ISO 1302	ISO 406 ISO 1001	mm	CUSTOMER Drawing