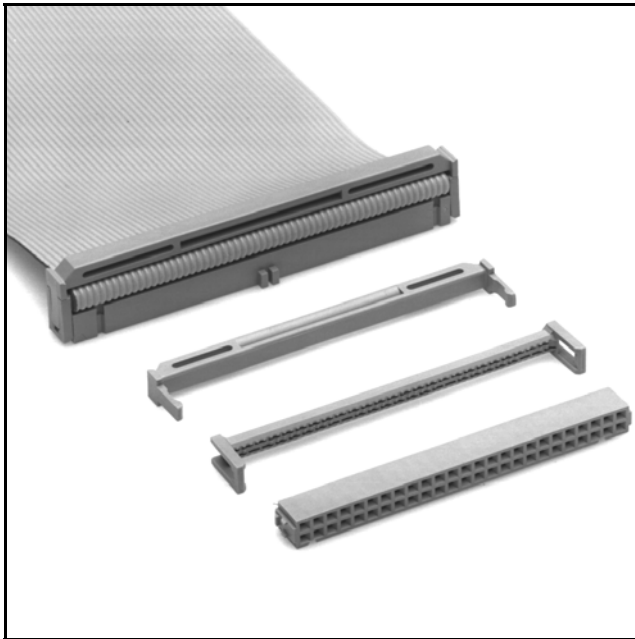


3M™ Preassembled Wiremount Socket

.100" × .100" for .050" Pitch Cable

891 Series



- Preassembled, terminates faster than two-piece sockets
- "Sword" packaging makes easy loading of manual and semi-automatic assembly equipment
- "Bumps" prevent premature latch locking during shipment
- Optional double-sided adhesive pull tab for easy unplugging
- Double-recessed cover for cable terminating from either side eliminates need for single-recessed cover connectors
- *RoHS compliant

Date Modified: January 11, 2007

TS-0449-21
Sheet 1 of 3

Physical

Insulation

Material: Glass Filled Polyester (PBT)

Flammability: UL 94V-0

Color: Gray

Contact

Material: Phosphor Bronze

Plating:

Underplating: 30 μ" [0.76 μm] Nickel

Wiping Area: 15 μ" [0.38 μm] Gold

Wire Accommodation: 26 and 28 AWG Stranded

Marking: 3M Logo, Part Identification Number and Orientation Triangle

Electrical

Current Rating: 1 A

Insulation Resistance: $> 1 \times 10^9 \Omega$ at 500 V_{DC}

Withstanding Voltage: 1000 V_{rms} at Sea Level

Environmental

Temperature Rating: -55°C to +105°C

RoHS compliant means that the product or part does not contain any of the following substances in excess of the following maximum concentration values in any homogeneous material, unless the substance is in an application that is exempt under RoHS: (a) 0.1% (by weight) for lead, mercury, hexavalent chromium, polybrominated biphenyls or polybrominated diphenyl ethers; or (b) 0.01% (by weight) for cadmium. Unless otherwise stated by 3M in writing, this information represents 3M's knowledge and belief based upon information provided by third party suppliers to 3M.

UL File No.: E68080

3M
Interconnect Solutions
<http://www.3M.com/interconnects/>

3M is a trademark of 3M Company.
For technical, sales or ordering information call
800-225-5373

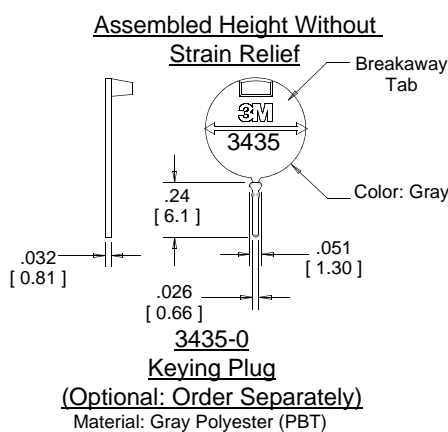
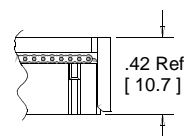
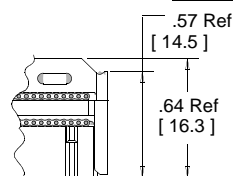
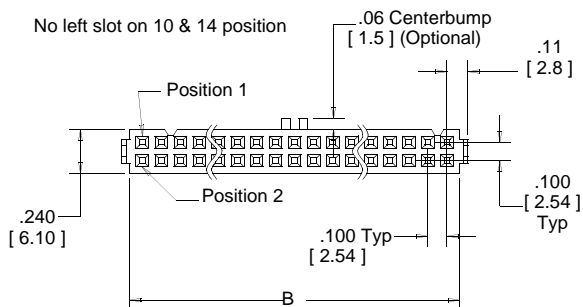
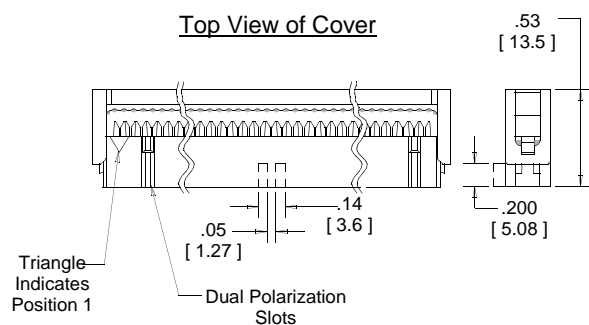
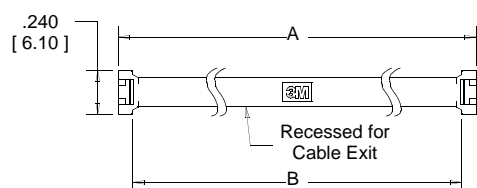
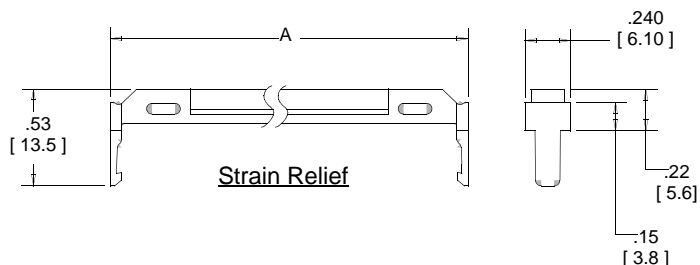
3M™ Preassembled Wiremount Socket

.100" × .100" for .050" Pitch Cable

891 Series



| Contact Quantity | Dimensions | |
|------------------|---------------|---------------|
| | A | B |
| 10 | .68 [17.3] | .53 [13.5] |
| 14 | .88 [22.4] | .73 [18.5] |
| 16 | .98 [24.9] | .83 [21.1] |
| 20 | 1.18 [30.0] | 1.03 [26.2] |
| 24 | 1.38 [35.1] | 1.23 [31.2] |
| 26 | 1.48 [37.6] | 1.33 [33.8] |
| 30 | 1.68 [42.7] | 1.53 [38.9] |
| 34 | 1.88 [47.8] | 1.73 [43.9] |
| 36 | 1.98 [50.3] | 1.83 [46.5] |
| 40 | 2.18 [55.4] | 2.03 [51.6] |
| 44 | 2.38 [60.5] | 2.23 [56.4] |
| 50 | 2.68 [68.1] | 2.53 [64.3] |
| 60 | 3.18 [80.8] | 3.03 [77.0] |



| Inch [mm] | | | |
|------------------------|-----|------|-------|
| Tolerance Unless Noted | | | |
| | .0 | .00 | .000 |
| inch | ±.1 | ±.01 | ±.005 |

[] Dimensions for Reference Only

Ordering Information

Sockets
891XX-0XX1XX

Contact Quantity:
See Table

Polarization Options:
0 = Without Centerbump
1 = With Centerbump

Package Style Options:
0 = Preassembled
1 = Two Piece Outside Bandolier

Plating Option:
HA = 15 μ" [0.38 μm] Gold
with 30 μ" [0.76 μm] Nickel

Strain Relief
(Order Separately)
3448-891XX

Contact Quantity:
See Table

Pull Tabs
(Order Separately)
See TS-0496.

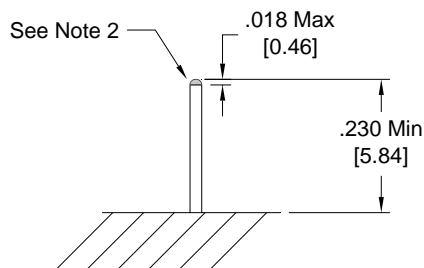
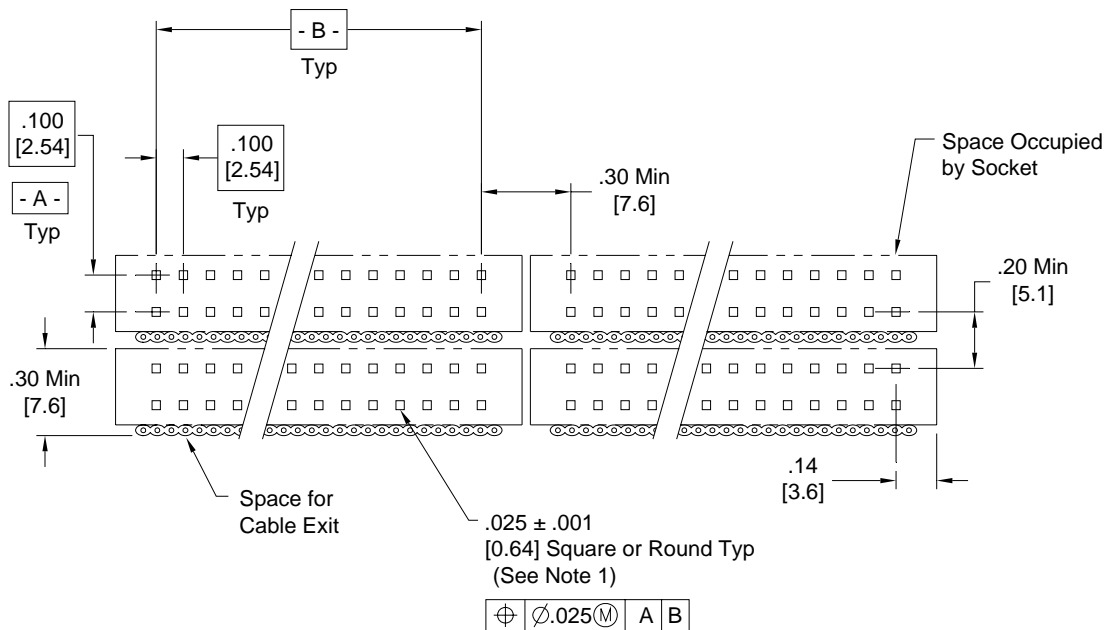
Assembly tools: 3M™ Press, 3640 (or equivalent), 3M™ Locator Plate, 3443-107N, 3M™ Platen, 3442-9.

TS-0449-21
Sheet 2 of 3

3M™ Preassembled Wiremount Socket

.100" × .100" for .050" Pitch Cable

891 Series



Recommended Post Pattern

TS-0449-21
Sheet 3 of 3

Important Notice

All statements, technical information, and recommendations related to 3M's products are based on information believed to be reliable, but the accuracy or completeness is not guaranteed. Before using this product, you must evaluate it and determine if it is suitable for your intended application. You assume all risks and liability associated with such use. Any statements related to the product which are not contained in 3M's current publications, or any contrary statements contained on your purchase order shall have no force or effect unless expressly agreed upon, in writing, by an authorized officer of 3M.



3M Electronics

6801 River Place Blvd.
Austin, TX 78726-9000
800/225-5373
www.3M.com/electronics

Warranty; Limited Remedy; Limited Liability.

This product will be free from defects in material and manufacture for a period of one (1) year from the time of purchase. **3M MAKES NO OTHER WARRANTIES INCLUDING, BUT NOT LIMITED TO, ANY IMPLIED WARRANTY OF MERCHANTABILITY OR FITNESS FOR A PARTICULAR PURPOSE.** If this product is defective within the warranty period stated above, your exclusive remedy shall be, at 3M's option, to replace or repair the 3M product or refund the purchase price of the 3M product. **Except where prohibited by law, 3M will not be liable for any indirect, special, incidental or consequential loss or damage arising from this 3M product, regardless of the legal theory asserted.**



*Minimum 10%
Post-Consumer Fiber*

Printed in USA.

© 3M 2007