

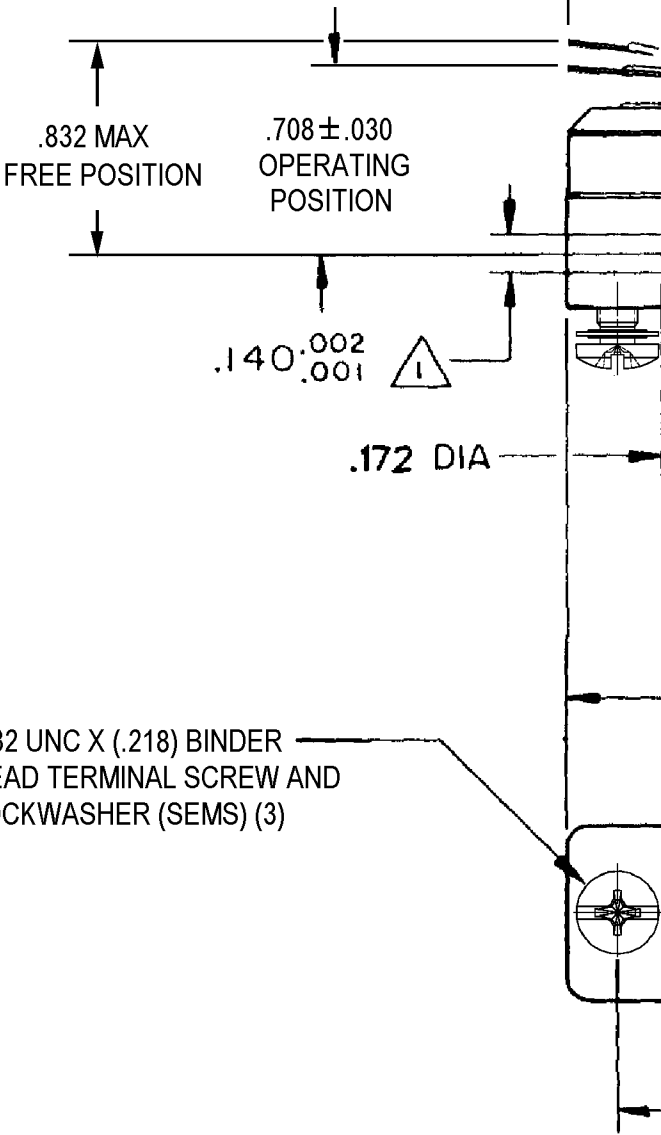
4

3


HONEYWELL PART NUMBER
BZ-2RL131T
CATALOG LISTING
BZ-2RL131T
AJH9600

REPLACES: X201840-BZ

.19 WIDE CORROSION
RESISTANT STEEL LEAF



NOTES





 MOUNTING HOLES WILL ACCEPT PINS OR SCREWS
OF .139 MAX DIA ON 1.000 ± .002 CENTERS

2 - WEIGHT: .063 LB

CHARACTERISTICS

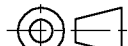
OPERATING FORCE - - - - -	10 OZ MAX
RELEASE FORCE - - - - -	1/4 OZ MIN
DIFFERENTIAL TRAVEL - - - - -	.020 MAX
OVER TRAVEL - - - - -	.060

ELECTRICAL DATA

CONTACT ARRANGEMENT S P D T	
-L96-	15 A - 125, 250, OR 480 VAC 1/2 A - 125 VDC; 1/4 A - 250 VDC 1/8 HP - 125 VAC, 1/4 HP - 250 VAC
-L288- -L306- -L315-	    16A 250V ~ T85 5E4

DESIGN UNITS: INCH
TOLERANCES UNLESS NOTED:

NO PLACES	X	±
ONE PLACE	.X	±
TWO PLACE	.XX	±
THREE PLACE	.XXX	±
ANGLES	X	±

THIRD ANGLE PROJ


4

3