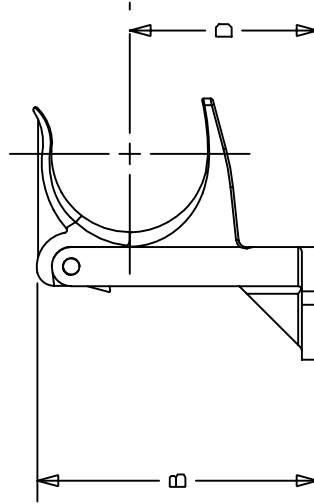
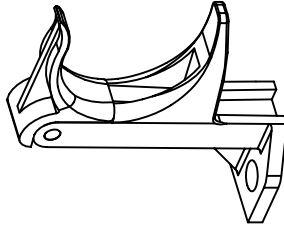
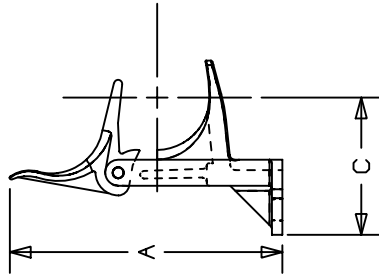
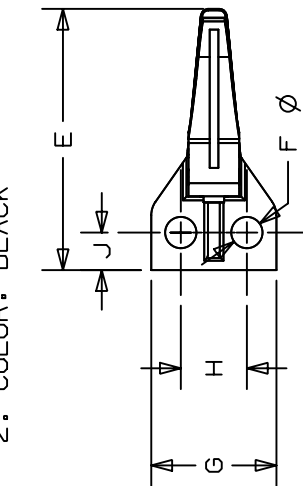


THIS COPY IS PROVIDED ON A RESTRICTED BASIS AND IS NOT TO BE USED IN ANY WAY DETRIMENTAL TO THE INTERESTS OF PANDUIT CORP.

PANDUIT PART NUMBER	MAX. BUNDLE DIA IN (MM)	RECM. FASTENER	D I M E N S I O N S										WEIGHT LB./100PCS. (g)/
			"A" REF	"B" REF	"C" REF	"D" REF	"E" REF	"F" REF	"G" REF	"H" REF	"J" REF		
CPH. 75-S8	0.75 (19.0)	#8 SCREW (M4)	2.48 (63.0)	1.78 (45.3)	1.18 (30.0)	1.35 (34.4)	1.60 (40.8)	0.172 ±0.008 (4.4)	0.90 (22.9)	0.528 (13.4)	0.17 (4.3)	1.4 (64.1)	
CPL. 75-S8	0.75 (19.0)	#8 SCREW (M4)	1.69 (42.9)	1.08 (27.4)	1.11 (28.2)	0.56 (14.2)	1.52 (38.6)	0.172 ±0.008 (4.4)	0.88 (22.4)	0.568 (14.4)	0.16 (4.0)	1.0 (45.4)	

NOTES:

- SEE CURRENT PRICE SHEET FOR PART NUMBER SUFFIX DESIGNATION FOR PACKAGE SIZE.
- COLOR: BLACK



DIMENSIONS IN BRACKETS ARE METRIC [mm]
 CAD FILENAME/LAYERS G00239HJ_PI_CPHCPL_01

PANDUIT CORP. TINLEY PARK, ILLINOIS

CORNER POST HIGH, CPH. 75-S8
 CORNER POST LOW, CPL. 75-S8

UNLESS OTHERWISE SPECIFIED,
 DIMENSIONAL TOLERANCES ARE:
 (.X) ±0.05 (1.3) (.XXX) ±0.010 (0.25)
 (.XX) ±0.02 (0.5) ANGLES ± 5°

UNLESS OTHERWISE SPECIFIED,
 ALL DIMENSIONS ARE GIVEN
 IN INCHES, THIRD ANGLE PROJECTION.
 SCALE NONE

DRAWN BY JAD MAT'L: ACETAL
 DATE 6/14/01
 CHECK'D

1	04-22-02	LGG	CORRECT PART NAME. WAS S6 S/B SB'S	G00239HJ	1			
REV	DATE	BY	CHK	DESCRIPTION	ECN	R	CUST	SUP

DWG NO.	G00239HJ
SIZE	A