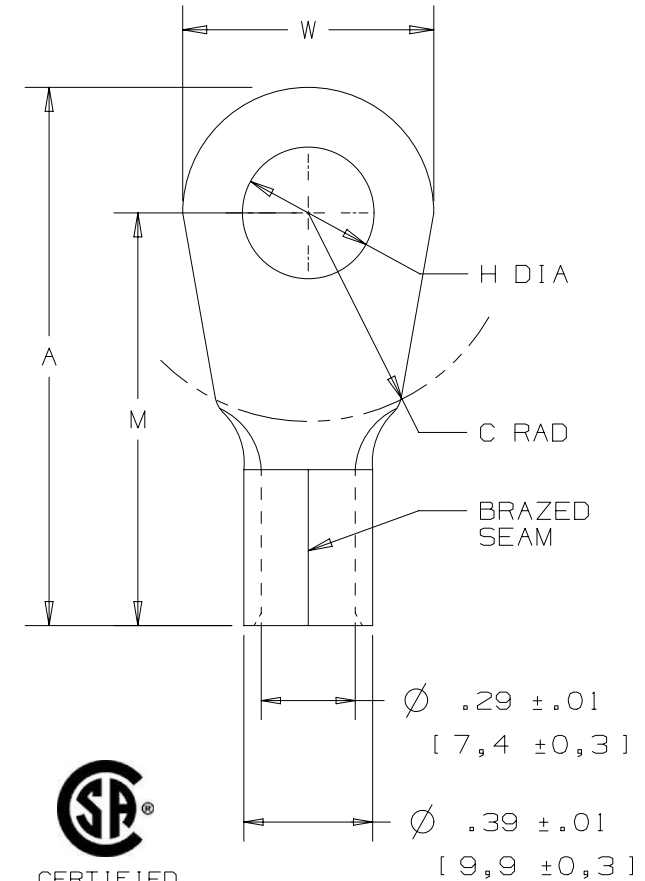


PANDUIT PART NUMBER	STUD SIZE	DIMENSIONS - in [mm]				
		A ± .03 [0,8]	W ± .01 [0,3]	C ± .02 [0,5]	M ± .03 [0,8]	H ± .01 [0,3]
P4-10R	#10	1.40 [35,6]	.55 [14,0]	.50 [12,7]	1.12 [28,5]	.20 [5,1]
P4-14R	1/4"	1.40 [35,6]	.55 [14,0]	.50 [12,7]	1.12 [28,5]	.27 [6,9]
P4-56R	5/16"	1.46 [37,1]	.68 [17,3]	.50 [12,7]	1.12 [28,5]	.33 [8,4]
P4-38R	3/8"	1.46 [37,1]	.68 [17,3]	.50 [12,7]	1.12 [28,5]	.39 [9,9]
P4-12R	1/2"	1.55 [39,4]	.86 [21,8]	.53 [13,5]	1.12 [28,5]	.52 [13,2]

UL & CSA TOOLS (DIES)
 CT-1701 (P4)
 CT-2600 (CD-2600-P4)



NOTES:

- UL LISTED AND CSA CERTIFIED FOR:
 - #4 AWG STRANDED COPPER WIRE
 - 302°F (150°C) MAX TEMP RATING
 - 2000 VOLTS MAX
- SEE WWW.PANDUIT.COM FOR PACKAGE QUANTITIES
- MATERIAL:
 - STAMPING - .05" [1,27] THK COPPER, TIN PLATED
- DIMENSIONS IN BRACKETS ARE IN MILLIMETERS
- WIRE STRIP LENGTH: 1/2" $\begin{matrix} +1/32 \\ -0 \end{matrix}$ [12,7mm $\begin{matrix} +0,8 \\ -0 \end{matrix}$]



TITLE #4 BARREL NON-INSULATED RING TONGUE CUSTOMER DRAWING	
ITEM REVISION NAME N41213BB/09	PANDUIT
DATASET FILE NAME N41213BB/09	
UNLESS OTHERWISE SPECIFIED, DIMENSIONAL TOLERANCES ARE: IN [mm]	
.X ± .XX ±	.XXX ± ANGLES ±
THIRD ANGLE PROJECTION	
DRAWN BY DAW	DATE
CHK	SCALE NONE
DRAWING NUMBER: A41213	
REV	DATE
BY	CHK
APR	DESCRIPTION
ECN	SIZE A

REV	DATE	BY	CHK	APR	DESCRIPTION	ECN
09	5/17	JHNU	TMR	RGB	ADDED VOLTAGE RATING	N41213BB-A41213
08	07/15	TMR	TMR	RGB	ADDED CSA BACK TO DWG, DIE INFORMATION	N41213BB-A41213
07	07/14	MBY	JHNU	RGB	REVISED NOTES, MOVED TOOLS TO TABLE, REVISED CERTIFICATION, UPDATED BORDER	N41213BB-A41213

D101000DA/16