

PRODUCT NUMBER  
20020009-XXXXXXLF

20020009-



PITCH

- C : 3.50 mm
- D : 3.81 mm
- G : 5.00 mm
- H : 5.08 mm

POLES

- 02: 2 POLES
- 03: 3 POLES
- 04: 4 POLES
- ...
- 24: 24 POLES

LF : DENOTES ROHS COMPATIBLE

1 : STANDARD PRODUCT  
W/ BOX PACKING

SCREW CODE

CODE	SCREW TYPE	AVAILABILITY
A	-/+	ON REQUEST ONLY
B	-	STANDARD

ALL FLANGE SCREWS ARE ONLY AVAILABLE IN +/- COMBINATION SCREW TYPES.

HOUSING CODE

CODE	COLOR	AVAILABILITY
1	GREEN(RAL 6018/T)	STANDARD
2	BLACK	ON REQUEST ONLY
3	GREY(RAL 7004/P)	ON REQUEST ONLY
4	BLUE(RAL 5015/A)	ON REQUEST ONLY

PROPERTY TABLE

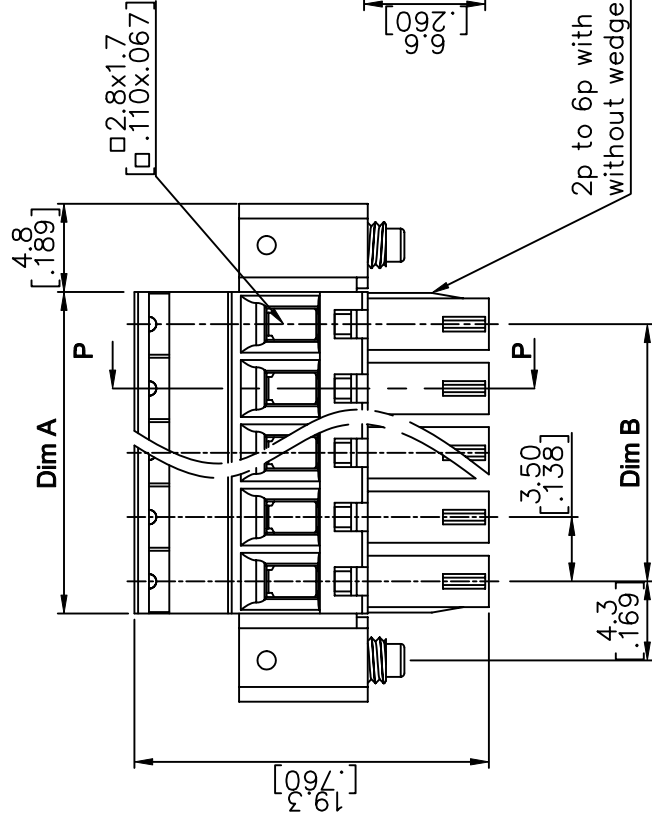
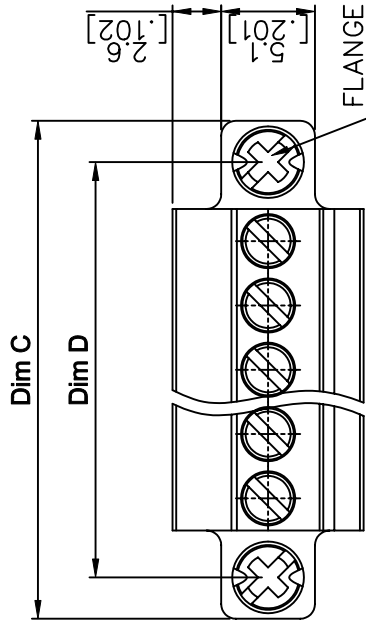
FCI SERIES NAME	02-350	02-381	02-500	02-508
PITCH (mm)	3.50	3.81	5.00	5.08
VOLTAGE RATING (VAC)	300	300	300	300
CURRENT RATING (A)	cJLus	8	12	12
	VDE	10	10	NA
APPLICABLE WIRE RANGE (AWG)	1-WIRE	16~28	12~24	12~24
	2-WIRE	20	18	18
WIRE CROSS SECTION (mm <sup>2</sup> )	1-WIRE	1.5	2.5	2.5
	2-WIRE	0.5	1.0	1.0
	1-WIRE	1.5	2.5	2.5
	2-WIRE	0.75	1.5	1.5
OPENING CONTACT HOUSING(mm <sup>2</sup> )	2.8x1.7	2.8x1.7	2.6x3.3	2.6x3.3
WIRE STRIP LENGTH(mm)	6~7	6~7	6~7	6~7
TORQUE +/-10% (N-m/Lb-in)	0.19/1.7	0.19/1.7	0.4/3.5	0.4/3.5
WITHSTANDING VOLTAGE (kV)	SCREW	M2x0.4	M3x0.5	M3x0.5
	cJLus	1.6	1.6	1.6
	VDE	2.5	2.5	NA
OPERATING TEMP. (°C)	-40~+115	-40~+115	-40~+115	-40~+115
POLES AVAILABLE	02~24	02~24	02~24	02~24
SAFETY CERTIFICATE				

NOTES:

1. MATERIALS
  - 1-1 HOUSING: THERMALPLASTIC RESIN, UL 94V-0 RATED.
  - 1-2 SCREW AND FLANGE SCREW: STEEL, ZINC PLATED.
  - 1-3 CLAMP: COPPER ALLOY, NICKEL PLATED.
  - 1-4 TERMINAL: COPPER ALLOY, TIN PLATED.
2. PRODUCT SPECIFICATION REFER TO FCI GS-12-625.
3. BOXED PACKAGING, DETAILED PRODUCT PACKING SPECIFICATION REFER TO FCI GS-14-1394.
4. FCI SAFETY CERTIFICATE LOGO AND SERIES NAME TO BE SHOWN ON PRODUCT SURFACE.
5. THE PRODUCTS WHERE THE PART NUMBER END IN "LF" MEET THE EUROPEAN UNION DIRECTIVE AND OTHER COUNTRY REGULATIONS AS DESCRIBED IN GS-22-008.

mat'l. code		surface	tolerance	projection	product family	TERMINAL BLOCK
ltr	ecn no	dr	date	ASME Y14.5	ASME Y14.5	title
A	T10-0062	WL	050710	tolerances unless otherwise specified		TERMINAL BLOCK
B	T10-0127	WL	080910	X.X±0.3[.012]		PLUGGABLE PLUG, SIGNAL, ENTRIESIDE HOOK
C	T10-0140	WL	090310	X.XX±0.1[.004]		W/FLANGE
D	T10-0155	WL	093010	dr	WENDY CHEN	sheet 1 of 5 size
E	T10-0187	WL	121410	engr	JASON HSU	20020009
F	T11-0013	WL	040811	chr	GARY HSIEH	A4
G	T-004860	WL	080411	appd	JOSEPH HSIA	CUSTOMER Drawing
sheet	revision	G	G	G	G	
index	sheet	1	2	3	4	5

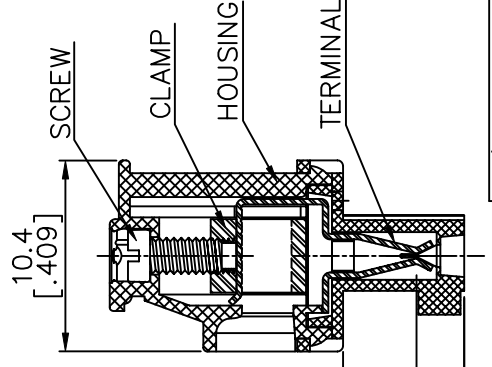
PRODUCT NUMBER	SERIES NAME	PITCH
20020009-CXXXXXXLF	02-350	3.50 mm



N = Number of poles

Dim A	NX3.5 [.138]
Dim B	(N-1)X3.5 [.138]
Dim C	NX [.138] 3.5 + 9.6 [.378]
Dim D	(N-1)X3.5 [.138] + 8.6 [.339]

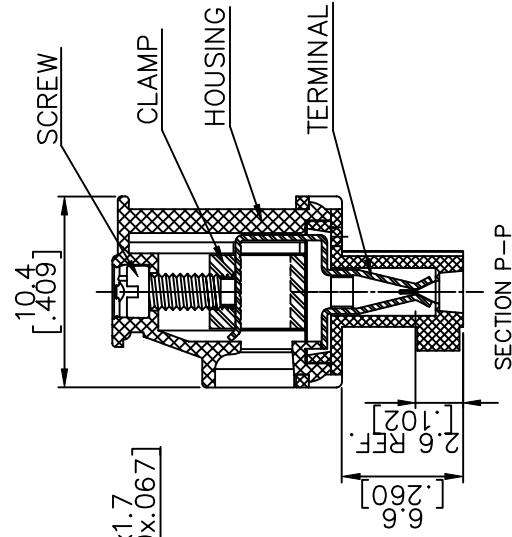
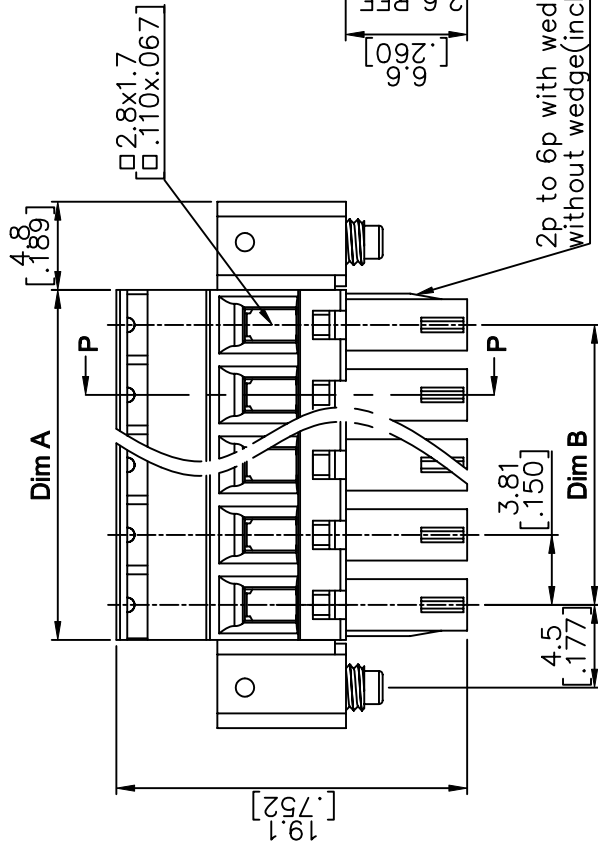
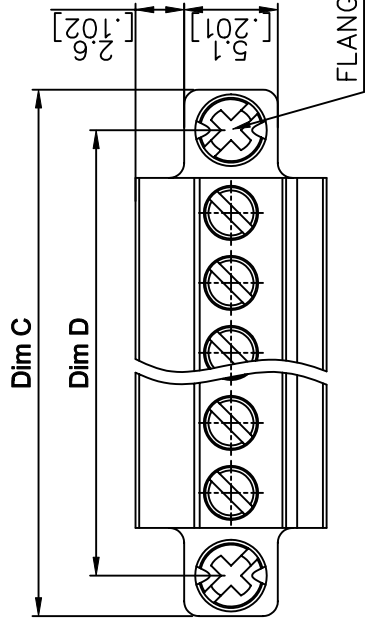
Poles	Tolerance
2p-6p	±0.15 [.006]
7p-12p	±0.20 [.008]
13p-16p	±0.25 [.100]
17p-24p	±0.30 [.012]



2p to 6p with wedge, above 7p without wedge (including 7p)

mat'l. code		surface	tolerance	projection	product family	TERMINAL BLOCK
itr		ASME Y14.5	ASME Y14.5		title	
ecr		tolerances unless otherwise specified			TERMINAL BLOCK	
no		angles	X.±0.5 [.020]	MM	PLUGGABLE PLUG, SIGNAL, ENTRYSIDE HOOK	
date		X.X±0.3 [.012]		[INCH]	W/FLANGE	
		X±1°	X.XX±0.1 [.004]	scale	dwg no	sheet 2 of 5 size
		dr	WENDY CHEN		20020009	A4
		engr	JASON HSU			
		chr	GARY HSIEH			
		appd	JOSEPH HSIA			
sheet		revision			type	CUSTOMER Drawing
index		sheet				

PRODUCT NUMBER	SERIES NAME	PITCH
20020009-DXXXXXXLF	02-381	3.81 mm



N = Number of poles

Dim A	NX3.81[.150]
Dim B	(N-1)X3.81[.150]
Dim C	NX3.81[.150]+9.6[.378]
Dim D	(N-1)X3.81[.150]+9.0[.354]

Poles	Tolerance
2p-6p	±0.15[.006]
7p-12p	±0.20[.008]
13p-16p	±0.25[.100]
17p-24p	±0.30[.012]

mat'l. code		surface	tolerance	projection	product family	TERMINAL BLOCK
itr		ASME Y14.5	ASME Y14.5	MM	terminal block	
ecn no		tolerances unless otherwise specified		[INCH]	PLUGGABLE PLUG, SIGNAL, ENTRYSIDE HOOK	
dr		X.±0.5[.020]		scale	W/FLANGE	
date		X.X±0.3[.012]			dwg no	sheet 3 of 5 size
		X.±1*	X.XX±0.1[.004]		20020009	A4
		dr	WENDY CHEN		type	CUSTOMER Drawing
		engr	JASON HSU			
		chr	GARY HSIEH			
		appd	JOSEPH HSIA			
sheet						
revision						
index						
sheet						
index						

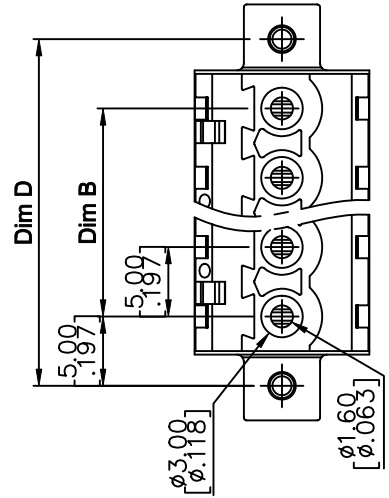
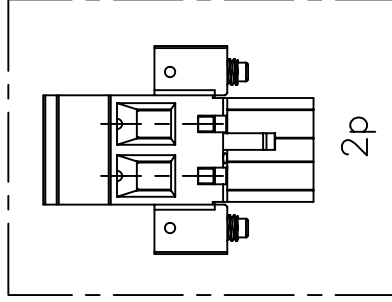
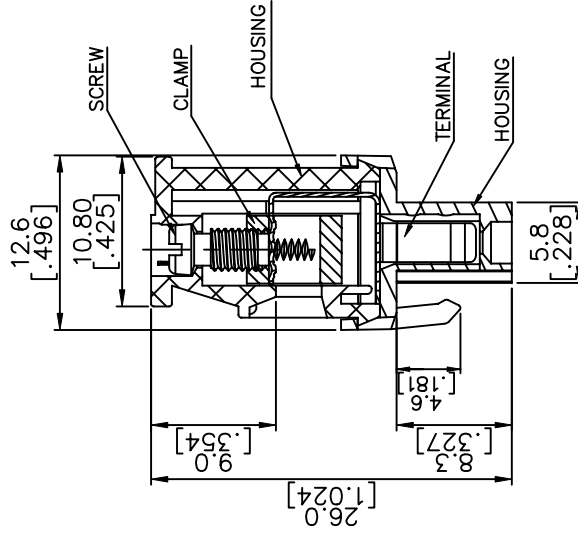
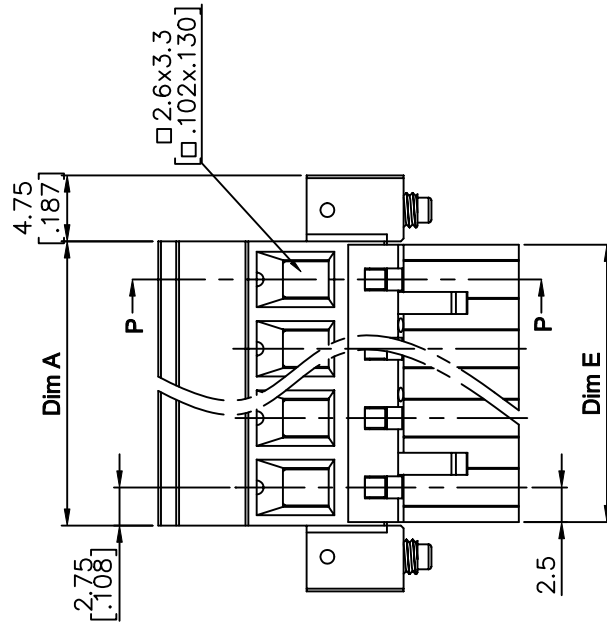
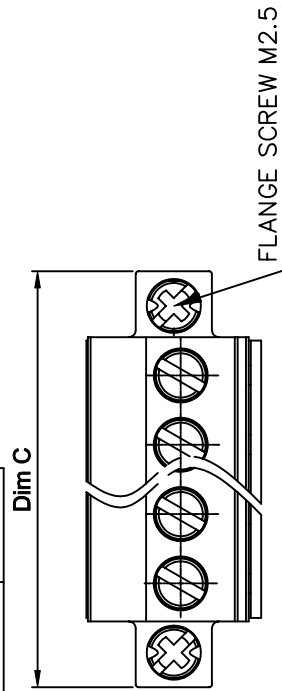


PRODUCT NUMBER	SERIES NAME	PITCH
20020009-GXXXXXLFL	02-500	5.00 mm

N = Number of poles

Dim A	$N \times 5.0 [.197] + 0.5 [.020]$
Dim B	$(N-1) \times 5.0 [.197]$
Dim C	$N \times 5.0 [.197] + 10.0 [.394]$
Dim D	$(N+1) \times 5.0 [.197]$
Dim E	$N \times 5.0 [.197]$

Poles	Tolerance
2p-6p	$\pm 0.15 [.006]$
7p-12p	$\pm 0.25 [.010]$
13p-18p	$\pm 0.30 [.012]$
19p-24p	$\pm 0.40 [.016]$



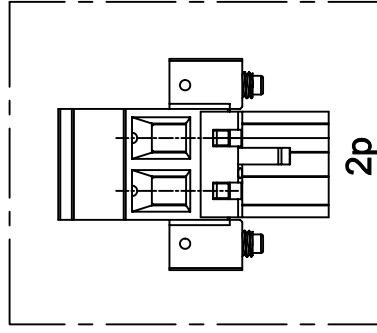
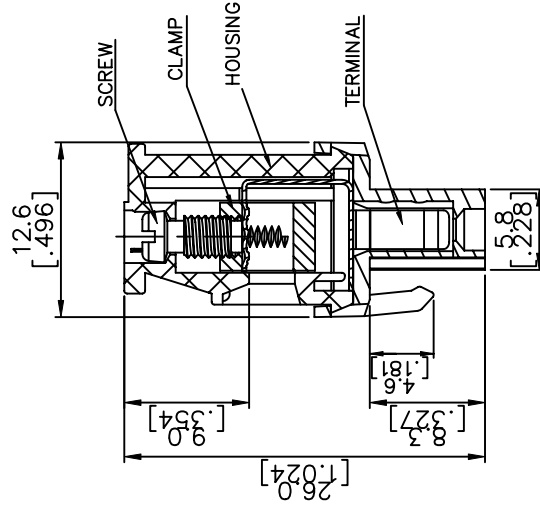
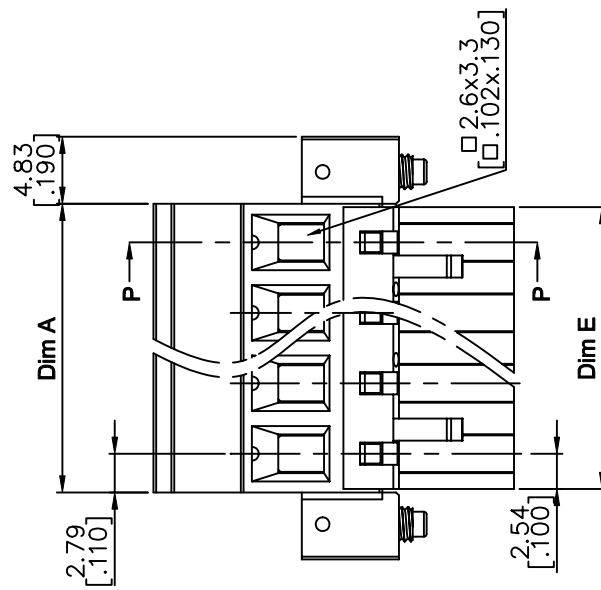
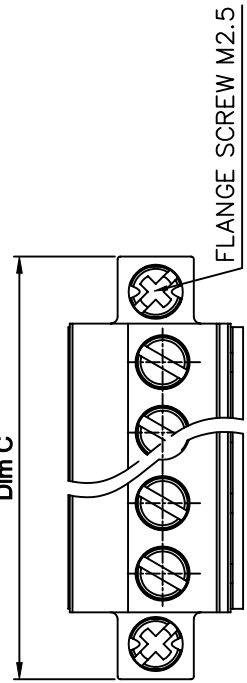
mat'l. code		surface	tolerance	projection	product family	TERMINAL BLOCK
itr		ASME Y14.5	ASME Y14.5	$\phi$	title	
ecn no		tolerances unless otherwise specified	X. $\pm$ 0.5[.020]	MM	TERMINAL BLOCK	
dr		angles	X.X $\pm$ 0.3[.012]	[INCH]	PLUGGABLE PLUG, SIGNAL, ENTRYSIDE HOOK	
date		X $\pm$ 1°	X.XX $\pm$ 0.1[.004]	scale	W/FLANGE	
		dr	WENDY CHEN		dwg no	sheet 4 of 5 size
		engr	JASON HSU			20020009
		chr	GARY HSIEH			A4
		appd	JOSEPH HSIA			CUSTOMER Drawing
sheet		revision				
index		sheet				

PRODUCT NUMBER	SERIES NAME	PITCH
20020009-HXXXXXLF	02-508	5.08 mm

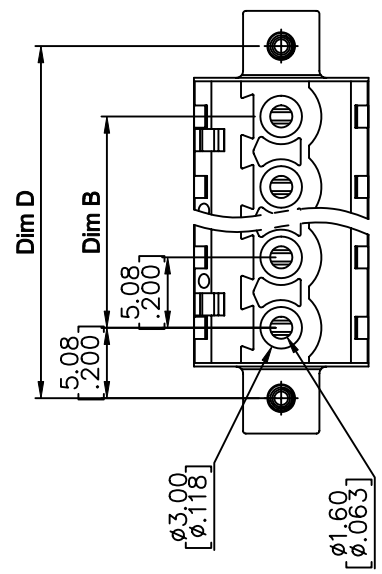
N = Number of poles

Dim A	$N \times 5.08 [ .200 ] + 0.5 [ .020 ]$
Dim B	$(N-1) \times 5.08 [ .200 ]$
Dim C	$N \times 5.08 [ .200 ] + 9.66 [ .380 ]$
Dim D	$(N+1) \times 5.08 [ .200 ]$
Dim E	$N \times 5.08 [ .200 ]$

Poles	Tolerance
2p-6p	$\pm 0.15 [ .006 ]$
7p-12p	$\pm 0.20 [ .008 ]$
13p-18p	$\pm 0.30 [ .012 ]$
19p-24p	$\pm 0.40 [ .016 ]$



SECTION P-P



mat'l. code		surface	tolerance	projection	product family	TERMINAL BLOCK
ltr	ecn no	ASME Y14.5	ASME Y14.5	MM	title	
g	date	tolerances unless otherwise specified	X.±0.5 [.020]	[INCH]	TERMINAL BLOCK	
		angles	X.X±0.3 [.012]	scale	PLUGGABLE PLUG, SIGNAL, ENTRYSIDE HOOK	
		X'±1'	X.XX±0.1 [.004]		W/FLANGE	
		dr	WENDY CHEN		dwg no	sheet 5 of 5 size
		engr	JASON HSU		20020009	A4
		chr	GARY HSEH		type	CUSTOMER Drawing
		appd	JOSEPH HSIA			
sheet	revision					
index	sheet					