

THIS COPY IS PROVIDED ON A RESTRICTED BASIS AND IS NOT TO BE USED IN ANY WAY DETRIMENTAL TO THE INTERESTS OF PANDUIT CORP.

PANDUIT PART NUMBER	STUD SIZE	DIMENSIONS in.				
		A ±.03	W ±.01	C ±.02	M ±.03	H ±.01
PV14-6F	#6	.84 (21.3)	.28 (7.11)	.19 (4.83)	.70 (17.8)	.15 (3.81)
PV14-6FN	#6	.84 (21.3)	.24 (6.10)	.19 (4.83)	.70 (17.8)	.15 (3.81)
PV14-8F	#8	.90 (22.9)	.31 (7.87)	.23 (5.84)	.74 (18.8)	.17 (4.32)
PV14-10F	#10	.92 (23.4)	.34 (8.64)	.24 (6.10)	.76 (19.3)	.20 (5.08)
PV14-10FN	#10	.92 (23.4)	.31 (7.87)	.24 (6.10)	.76 (19.3)	.20 (5.08)
PV14-14F	1/4"	1.09 (26.7)	.44 (11.2)	.32 (8.13)	.84 (21.3)	.27 (6.86)

NOTES:

- UL LISTED & CSA CERTIFIED FOR 600 V. MAX. VOLTAGE RATING (1000 V. MAX. IN SIGNS, FIXTURES AND LUMINAIRES.)
- 16-14 AWG SOLID OR STRANDED COPPER WIRE & 221°F (105°C) MAX TEMP RATING WITH THE CT-100, CT-1550, CT-1551 INSTALLATION TOOLS.

2. MATERIAL:

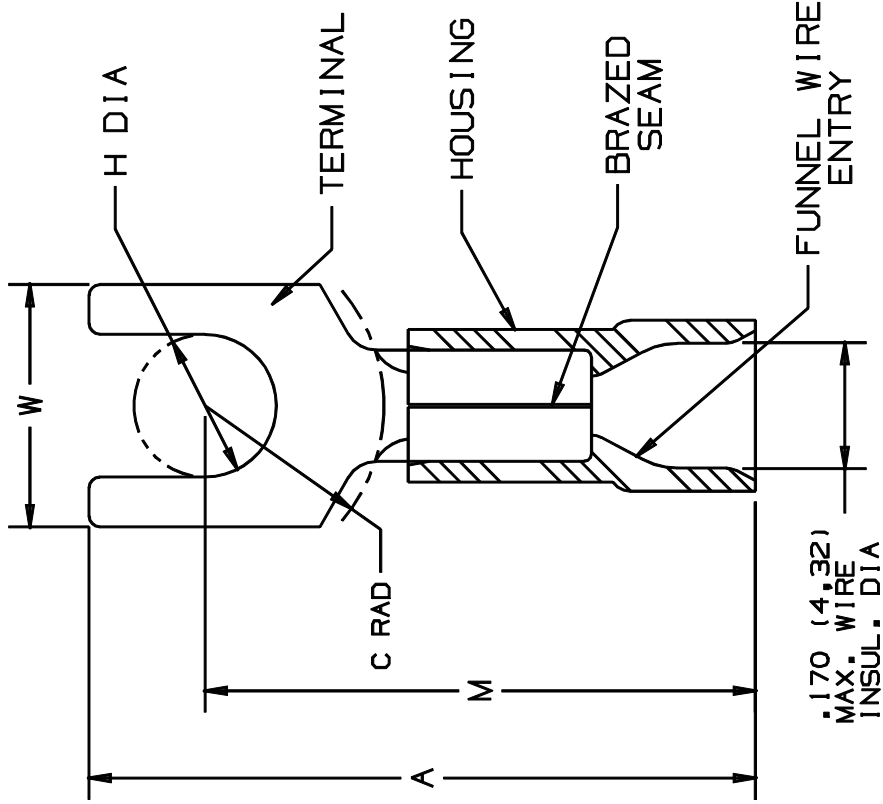
- STAMPING - .03 (.08) THK COPPER, TIN PLATED
- HOUSING - VINYL, BLUE

3. STRIP LENGTH 5/16 *1/32 .0

4. PACKAGE QTY:

- C=100
- M=1000

5. DIMENSIONS IN BRACKETS ARE IN MILLIMETERS.



LISTED
587H
E52164

CERTIFIED
LR31212

A41193_03

03	10/00	EJS		ADDED PART PV14-14F, REMOVED CT-500, CT-550, ADDED CT-1550, CT-1551 TO NOTE 1-B																
02	1/97	TM	RLS	TEMP RTG. FOR CT-100 WAS 167°F (75°C) REMOVED CT-250, FILESPEC WAS N41193AA_PCD_01	05469	LA	TJBU													
01	10/94	MS	RLS	UPDATED NOTES AND DIMENSIONS		LA	TKE													
R	3/88	FS	LM	RELEASED		LA	JRB													
REV	DATE	BY	CHK	DESCRIPTION	ECN #	CUST	PM	DRAWN BY	FES	CHK'D	FES	SCALE	NONE	DRAWING NO.	A41193					



TINLEY PARK, ILLINOIS

2PC. VINYL INSULATED,
#16-14 BARREL, FORKS