

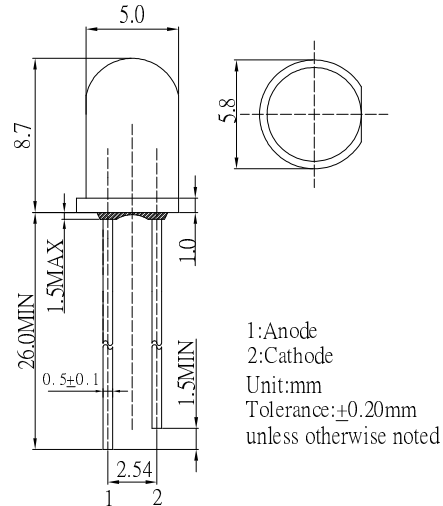
**■Features**

- High Luminous LEDs
- 5mm Round Standard Directivity
- Flashing Type
- Water Clear Type

**■Applications**

- Toys
- Games
- Back Lighting
- Other Lighting

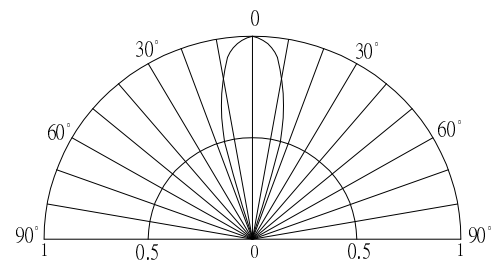
**■Outline Dimension**



**■Absolute Maximum Rating (Ta=25°C)**

Item	Symbol	Value	Unit
Power Supply	Voltage	5	V
Operating Temperature	Topr	-30 ~ +85	°C
Storage Temperature	Tstg	-40~ +100	°C
Lead Soldering Temperature	Tsol	260°C/5sec	-

**■Directivity**



**■Electrical -Optical Characteristics (Ta=25°C)**

Item	Symbo	Condition	Min.	Typ.	Max.	Unit
DC Forward Voltage*	V <sub>dd</sub>	I <sub>F</sub> =20mA	3.0	3.3	5.0	V
Oscillator Frequency*	F <sub>led</sub>	I <sub>F</sub> =20mA	-	1.8	-	Hz
Duty Cycle	Duty	I <sub>F</sub> =20mA	-	1/2	-	-
Peak Wavelength*	λ <sub>p</sub>	I <sub>F</sub> =20mA	400	405	410	nm
Radiant flux*	Φ <sub>e</sub>	I <sub>F</sub> =20mA	12	14	16	mW
50% Power Angle	2θ <sub>1/2</sub>	I <sub>F</sub> =20mA	-	30	-	deg

\*1 Tolerance of measurements of peak wavelength is ±1nm  
 \*2 Tolerance of measurements of radiant flux is ±15%  
 \*3 Tolerance of measurements of forward voltage is ±0.1V  
 \*4 Tolerance of measurements of frequency is ±20%