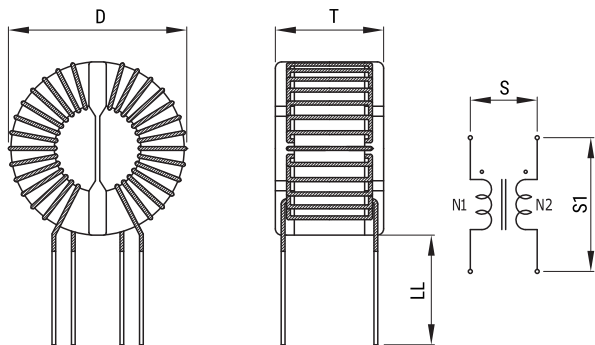


KEMET Part Number: SCF-05-350
(UALSCF05350000)

KEMET, SCF, AC Line Filters, Common Mode, 3500 uH



Dimensions

D	15.5mm MAX
T	12mm MAX
LL	15mm +/-2mm
S	5mm NOM

Packaging Specifications

Packaging:	Tray
Packaging Quantity:	1300
Weight:	5 g

General Information

Series:	SCF
Style:	Through-Hole
RoHS:	Yes
Notes:	Lead Spacing (S/S1) Are For Reference Only.
Miscellaneous:	Temperature Rise Maximum: 55 K

Specifications

Voltage AC:	250 VAC
Inductance:	3.5 mH
Current:	5 A
Temperature Range:	-25/+120°C
DC Resistance:	35 mOhms