

T82T - 3/2 shut-off valve

Excelon® Plus Modular System



- > Port size: 1/4" ... 3/8" (ISO G/PTF)
- > Excelon® Plus design allows in-line installation or modular installation with other Excelon® Plus products
- > 3/2 way function
- > Threaded exhaust port
- > Lockable in closed position with padlock



Technical features

Medium:

Compressed air only

Maximum supply pressure:

17 bar (246 psi)

Port size:

G1/4, G3/8, 1/4 PTF, 3/8 PTF

Flow:

45 dm³/s at port size 1/4",
41 dm³/s at port size 3/8",
inlet pressure 10 bar (145 psi) ,
6.3bar (91psi) set pressure and a
Δp: 0.5 bar (7.25 psi) droop from set.

Exhaust flow: 1.54 dm³/s.

Ambient/Media temperature:

-20 ... +65°C (-4 ... +149°F)

Air supply must be dry enough to avoid ice formation at temperatures below +2°C (+35°F).

Atex:

Shut-off valves T82 are in conformity with Atex 2014/34/EU



II 2 GD

Ex h IIC T6 Gb

EX h IIIC T85°C Db

Materials:

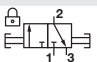
Body: Die cast aluminium

Body covers: ABS

Elastomers: NBR

Valve: Brass

Technical data T82T—standard models

Symbol	Port Size	Function	Exhaust port	Weight (kg)	Model
	G1/4	3/2	G1/4	0,20	T82T-2GA-B1N
	G3/8	3/2	G1/4	0,20	T82T-3GA-B1N

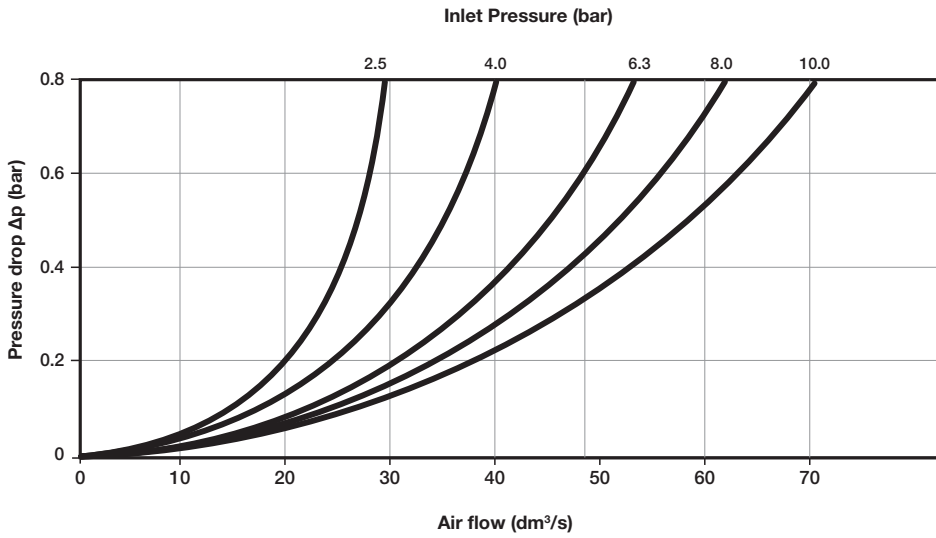
Option selector

T82T-★ ★ A-B1N

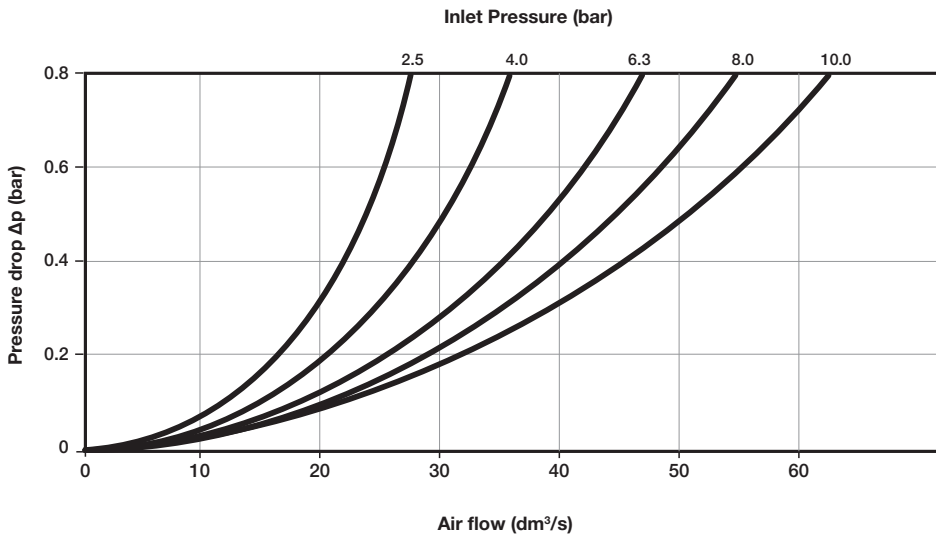
Function	Substitute	Thread form	Substitute
3/2	T	PTF	A
		ISO G (standard)	G
Port size	Substitute		
1/4"	2		
3/8"	3		

Flow characteristics












Port size: 1/4"



Port size: 3/8"



Accessories

<p>Wall mounting bracket</p>  <p>Page 4 820024-50KIT</p>	<p>Quikclamp®</p>  <p>Page 4 820014-51KIT</p>	<p>Quikclamp® with bracket assembled</p>  <p>Page 4 820014-52KIT</p>	<p>Pressure sensing block 1/4 PTF</p>  <p>Page 5 820016-50KIT</p>	<p>Pressure sensing block G1/4</p>  <p>Page 5 820016-51KIT</p>
<p>Full flow porting block 3/8" PTF</p>  <p>Page 5 820028-50KIT</p>	<p>Full flow porting block G3/8</p>  <p>Page 5 820028-53KIT</p>			
<p>Pressure switch interface block (18D pressure switch)</p>  <p>Page 5 0523109000000000</p>	<p>Pneumatic pressure switch 18D (0,5 ... 8 bar) *1)</p>  <p>Page 5 0881300</p>	<p>Digital pressure switch 51D (-1 ... 10 bar) *2)</p>  <p>Page 5 0860810</p>	<p>Connector 84-82 Series *3</p>  <p>Page 7 4417-01</p>	

*1) Flanged version. For other pressure ranges, please see data sheet 5.11.001

*2) For other pressure ranges, please see data sheet 5.11.385

*3) For connection please use Quikclamp 82 series and Hybrid-Quikclamp 84 series

<p>Port Adaptors 1/4 PTF</p>  <p>Page 5 820015-02KIT</p>	<p>Port Adaptors 3/8 PTF</p>  <p>Page 5 820015-03KIT</p>	<p>Port Adaptors G1/4</p>  <p>Page 5 820015-08KIT</p>	<p>Port Adaptors G3/8</p>  <p>Page 5 820015-09KIT</p>
---	---	--	--

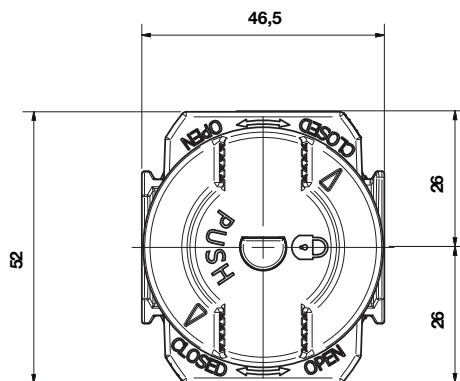
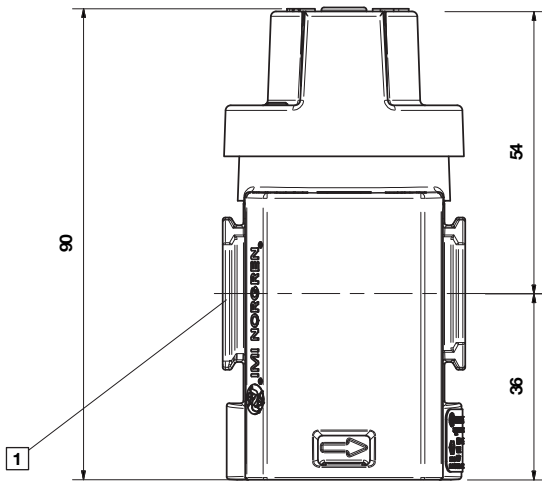
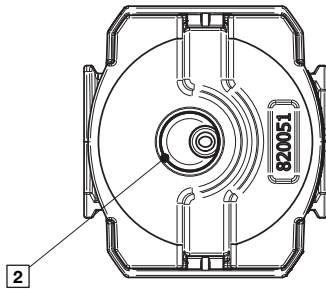
Padlock

<p>Padlock</p>  <p>84a0055-01KIT</p>	<p>Lockout device</p>  <p>840055-02KIT</p>	<p>Silencer</p> <p>Porous plastic silencer *3) G1/4</p>  <p>M/S2</p>	<p>Porous plastic silencer *3) G1/4</p>  <p>0014600000000000</p>	<p>Porous plastic silencer *3) 1/4 PTF</p>  <p>MS002A</p>
--	--	---	--	---

*3) Max. pressure of silencers listed in this data sheet : 10 bar. For pressure higher than 10 bar please contact IMI Norgren

Dimensions

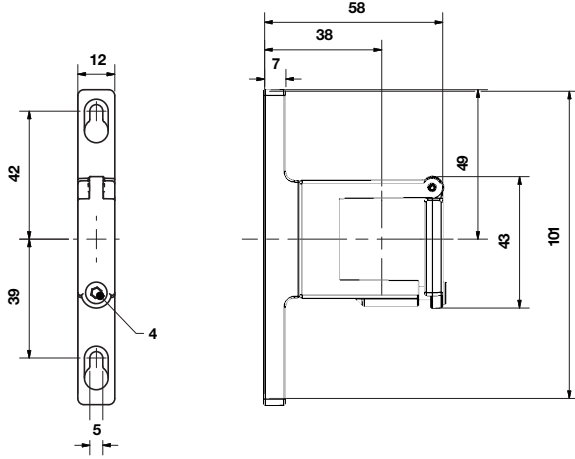
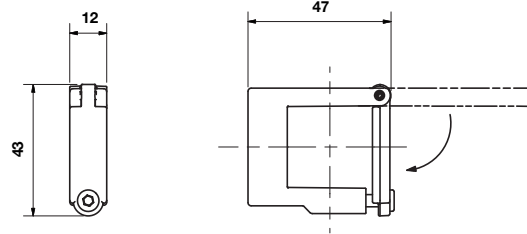
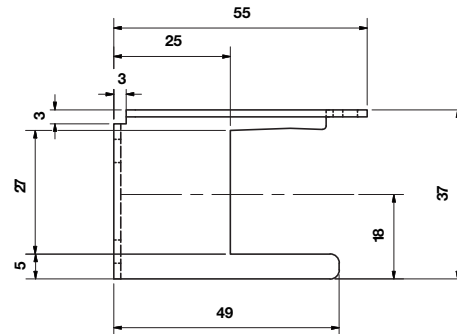
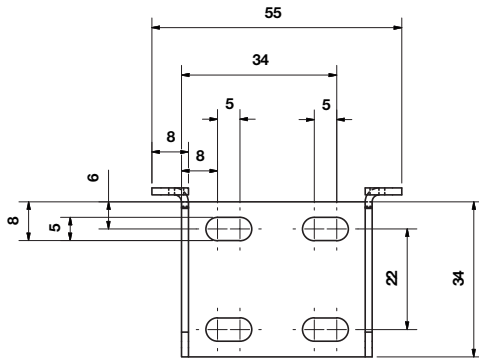
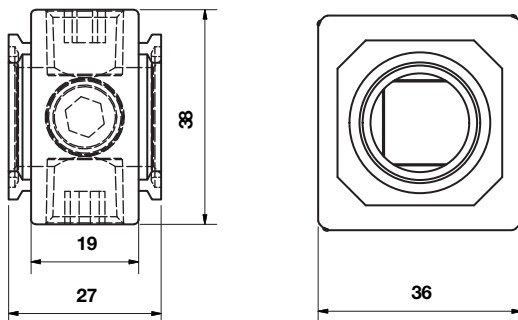
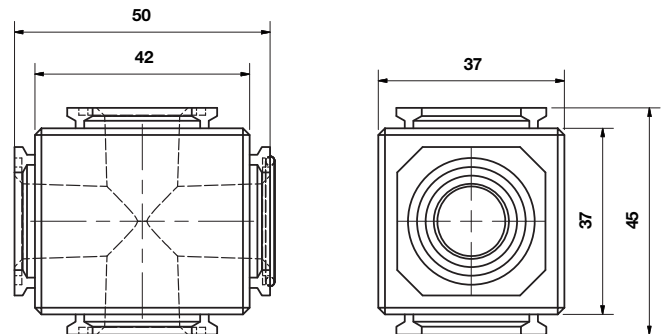
Dimensions in mm
Projection/First angle

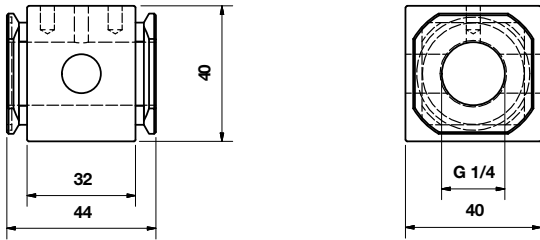


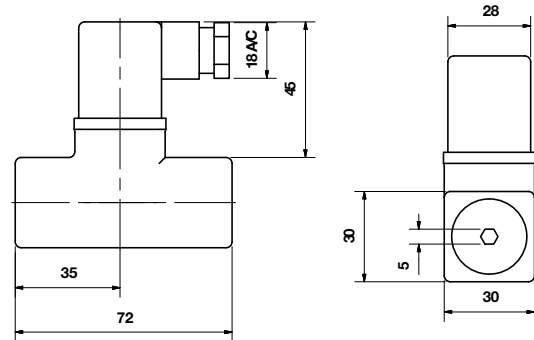
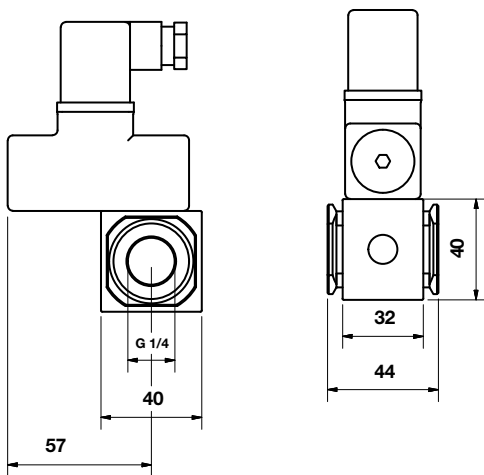
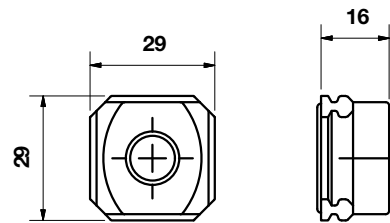
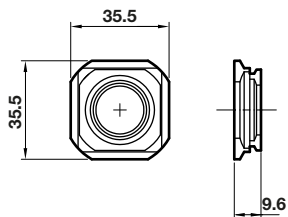
- 1 Main ports 1/4" or 3/8" ISO G/PTF
- 2 Exhaust Port Rc1/4 or 1/4 PTF

Accessories

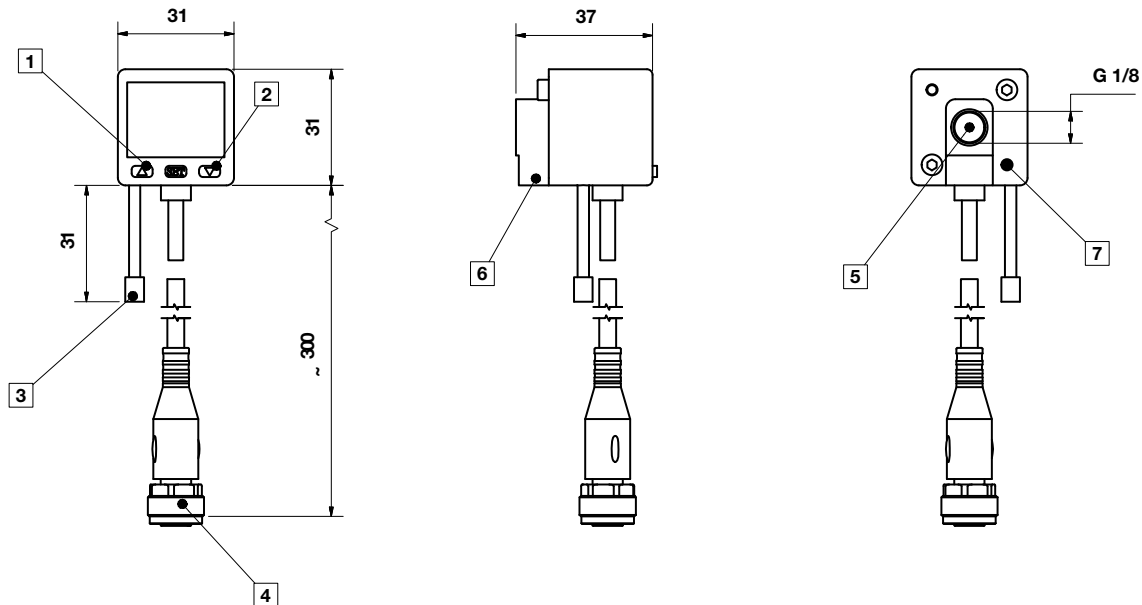
 Dimensions in mm
 Projection/First angle

Quikclamp® with wall bracket

Quikclamp®

Wall Mounting bracket

Pressure sensing block

Full flow portiang block


Porting block

18D Pressure switch

 Dimensions in mm
 Projection/First angle

18D Porting block and 18D assembled

Pipe adaptor

Connector 84-82 Series


51D Pressure switch - digital

 Dimensions in mm
 Projection/First angle


- 1 Switch OUT 1, green LED
- 2 Switch OUT 2, red LED
- 3 Dustproof protector
- 4 Connector M12 x 1
- 5 Inlet port
- 6 Alternative inlet port G1/8 plugged
- 7 Thread for mounting screw

Warning

These products are intended for use in industrial compressed air systems only. Do not use these products where pressures and temperatures can exceed those listed under »**Technical features/ data**«.

Before using these products with fluids other than those specified, for non-industrial applications, life-support systems or other applications not within published specifications, consult Norgren Ltd.

Through misuse, age, or malfunction, components used in fluid power systems can fail in various modes.

The system designer is warned to consider the failure modes of all component parts used in fluid power systems and to provide adequate safeguards to prevent personal injury or damage to equipment in the event of such failure.

System designers must provide a warning to end users in the system instructional manual if protection against a failure mode cannot be adequately provided.

System designers and end users are cautioned to review specific warnings found in instruction sheets packed and shipped with these products.