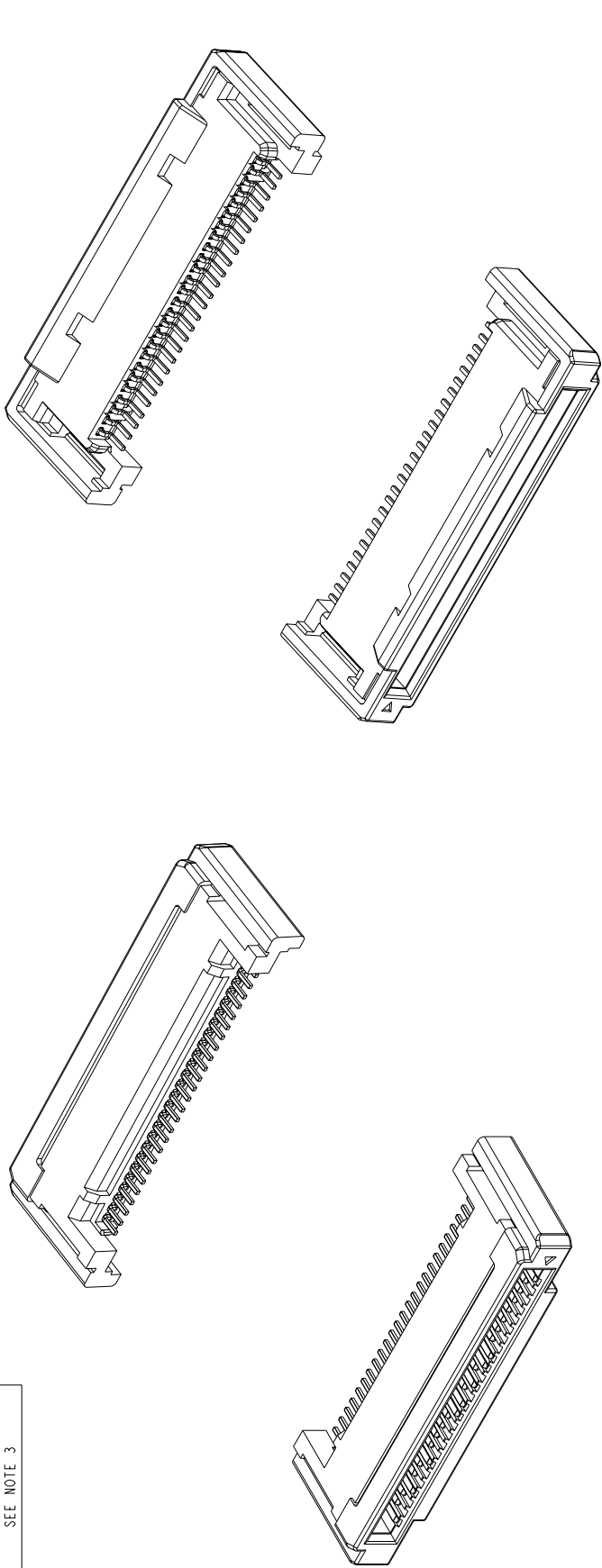


PRODUCT NUMBER	REMARK
10030570-1XXXLF	SEE NOTE 3
10030570-2XXXLF	SEE NOTE 3
10030570-3XXXLF	SEE NOTE 3
10030570-6XXXLF	SEE NOTE 3



NOTES:
 1. MATERIAL : HIGH TEMPERATURE THERMOPLASTIC,
 HOUSING : UL 94V-0 FLAME RETARDANT,
 TERMINAL : COPPER ALLOY,
 PLATING SPEC. AS BELOW :
 Ni: 50u" UNDER PLATED
 Au: 30u" OVER CONTACT AREA (ONE SIDE)
 Module T₁ 120.0" OVER SOLDERING AREA
 2. PRODUCT PERFORMANCE PER SPEC. GS-12-292, "LF" MEANS LEAD FREE.
 3. PART NUMBER SCHEME :
 10030570- X X X X LF

- PACKAGING
- 2: TAPE AND REEL
- 3: TRAY
- CONTACT PLATING
- 1: GOLD
- 2: GXT
- PLASTIC COLOR
- 1: BLACK
- SOLDER TAIL OFFSET
- 1: +0.00
- 2: +0.30
- 3: +0.60
- 6: +1.15

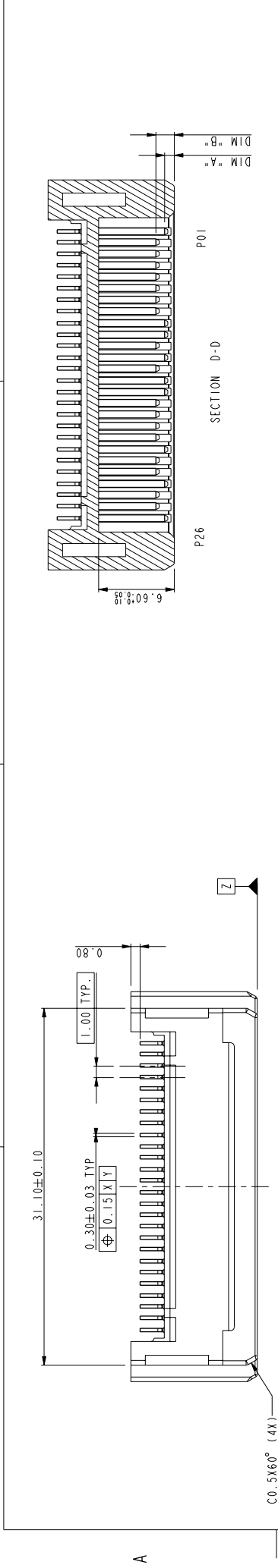
4. THIS PRODUCT IS ROHS COMPLIANT, AND MEETS EUROPEAN UNION DIRECTIVES AND OTHER COUNTRY REGULATIONS AS PER GS-22-008.



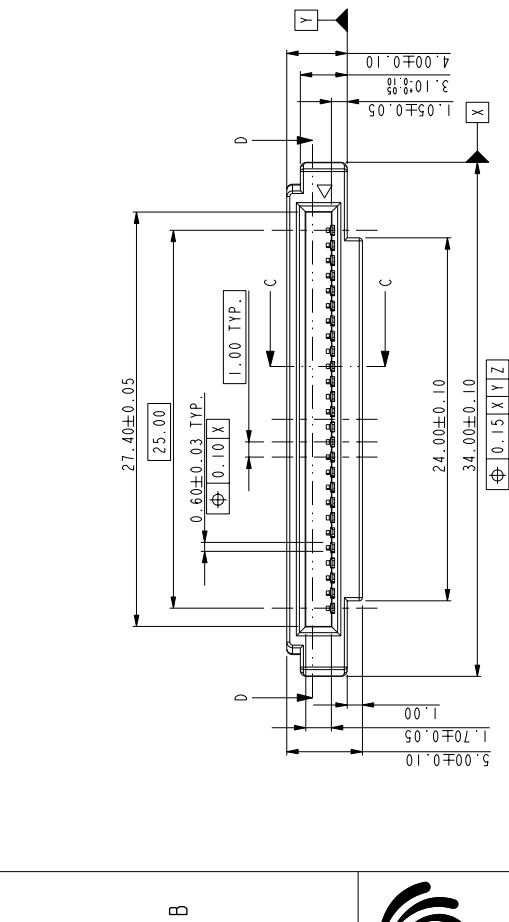
Copyright FCI

www.fciconnect.com		surface		tolerance std		projection		MM	
TOLERANCES UNLESS OTHERWISE SPECIFIED		ANGULAR		0.X		size		Scale	
L INEAR		0.XX		±0.50		A4		2.000	
0° ±3°		0.XXX		±		ECN			
Product family		Product family		Spec ref					
Dr Rick Bian		2007/08/23							
Eng Rick Bian		2007/08/23							
Chr Daniel Tao		2007/08/23							
Appr JOSEPH HSTA		2007/08/23							
FCI		EXPRESSCARD MODULE CONNECTOR		0.6		10030570		Rev. M	
EXPRESSCARD_MODULE_CARD KIT		EXPRESSCARD_MODULE_CARD KIT		6mp					
catalog no		10030570		CUSTOMER		sheet 1 of 4			

rev	ecn no	dr	date
H	T07-0062	H B	2007/03/08
J	N07-0164	MIAO	2007/07/16
K	N07-0181	MIAO	2007/08/08
L	N08-0025	R B	2008/01/29
M	N10-0341	SH	10/08/2010
-	-	-	-
-	-	-	-



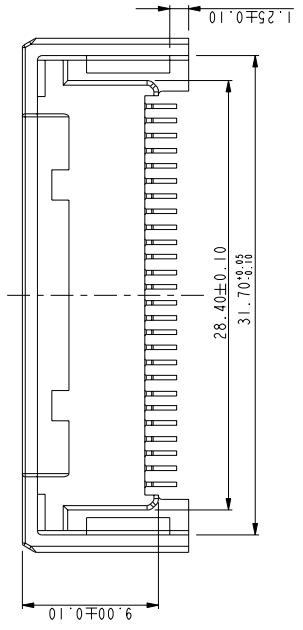
FIRST LEVEL		SECOND LEVEL	
DIM. "A"	PIN #	DIM. "B"	PIN #
0.75	1, 9, 10, 12, 14, 15, 20, 23, 26	1.50	2-8, 11, 13, 16-19, 21, 22, 24, 25



SECTION C-C
SCALE 5.000

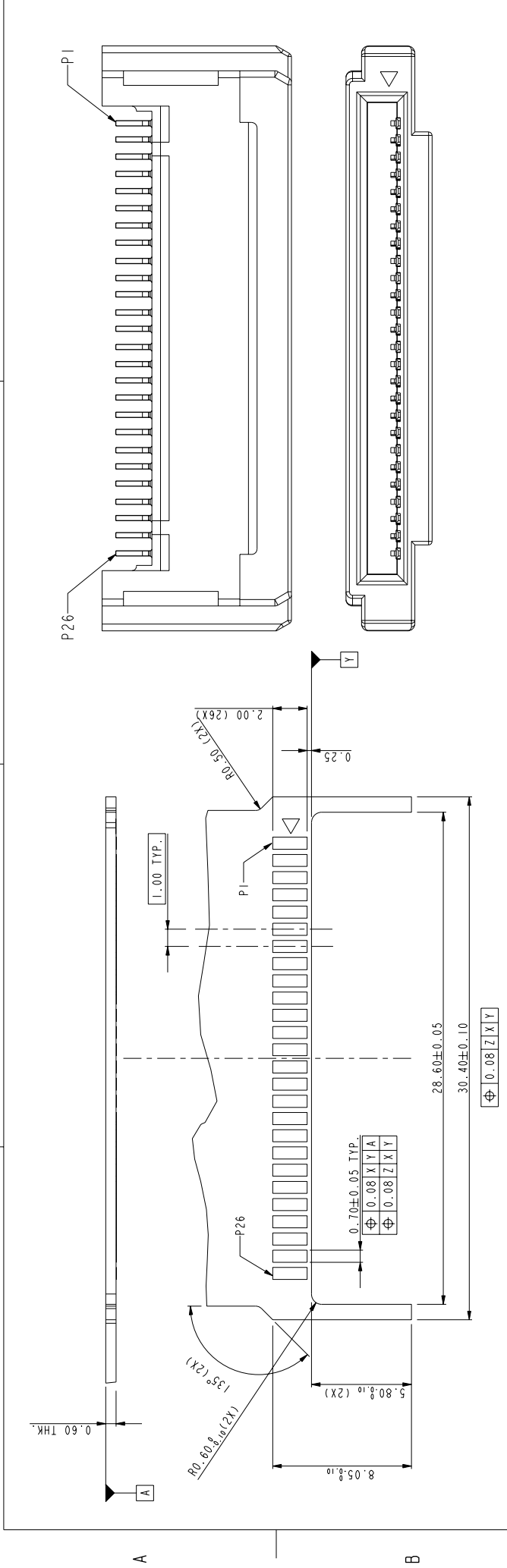
Copyright FCI

PART NO.	OFFSET OPTION	DIM "C"	TOLERANCE
10030570-1XXXLF	OFFSET +0.00	1.95	
10030570-2XXXLF	OFFSET +0.30	1.65	+0.10
10030570-3XXXLF	OFFSET +0.60	1.35	-0.10
10030570-6XXXLF	OFFSET +1.15	0.80	

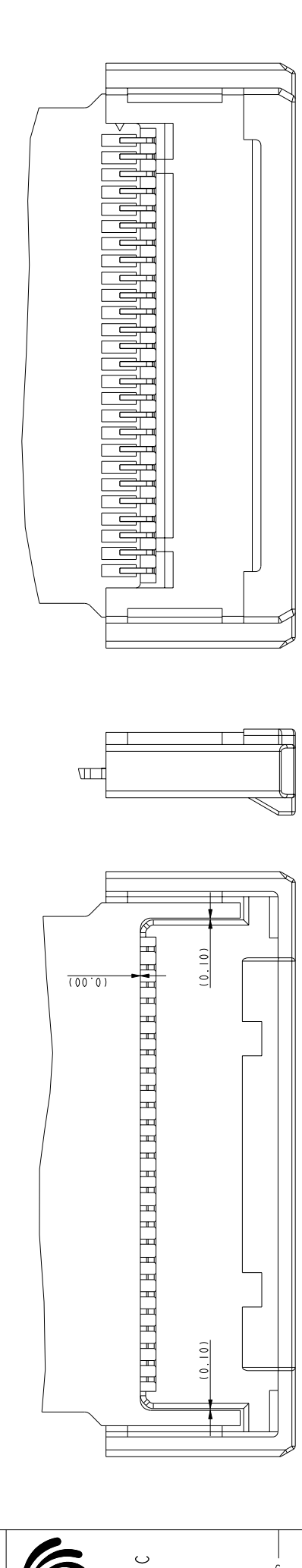


SCALE 2.000

www.fciconnect.com		surface	tolerance	std	projection	MM
TOLERANCES UNLESS OTHERWISE SPECIFIED		size		ECN	Scale	
Dr Rick Bian	2007/08/23	ANGULAR	0.X	±0.50	A4	2.000
Eng Rick Bian	2007/08/23	LINEAR	0.XX	±0.30		
Chr Daniel Tao	2007/08/23	Ø	0.XXX	±		
Appr JOSEPH HSIA	2007/08/23	Product family		Spec ref		
FCI		EXPRESSCARD MODULE CONNECTOR		Rev. M		
EXPRESSCARD_MODULE_CARD_KIT		ou gmp		10030570		
catalog no		10030570		CUSTOMER		
				sheet 2 of 4		



RECOMMENDED PCB LAYOUT



PCB ASSEMBLY REFERENCE

www.fciconnect.com		surface	tolerance std	projection	MM
Dr Rick Bian	2007/08/23	TOLERANCES UNLESS OTHERWISE SPECIFIED	0.X ±0.50 0.XX ±0.30 0.XXX ±	A4 size ECN	Scale 1:000
Eng Rick Bian	2007/08/23				
Chr Daniel Tao	2007/08/23				
Appr JOSEPH HSIA	2007/08/23	Product family	Spec ref		
FCI		EXPRESSCARD MODULE CONNECTOR		Rev. M	
EXPRESSCARD_MODULE_CARD KIT		0±0.6mp		10030570	
catalog no		10030570		CUSTOMER	
				sheet 3 of 4	



Copyright FCI

A

A

B

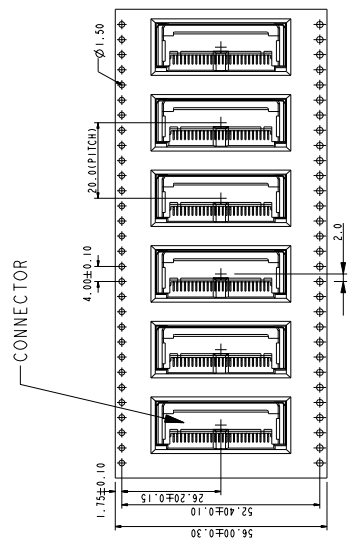
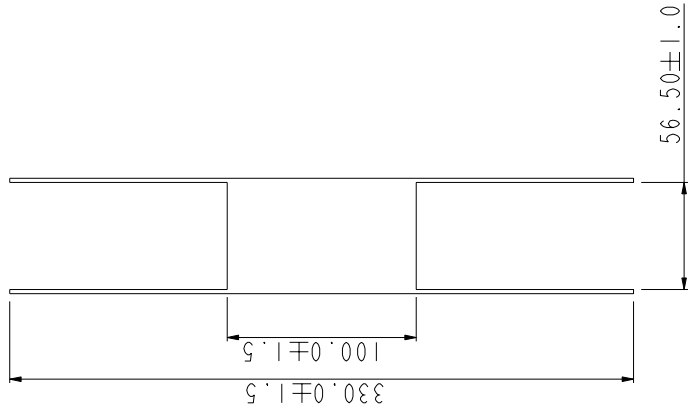
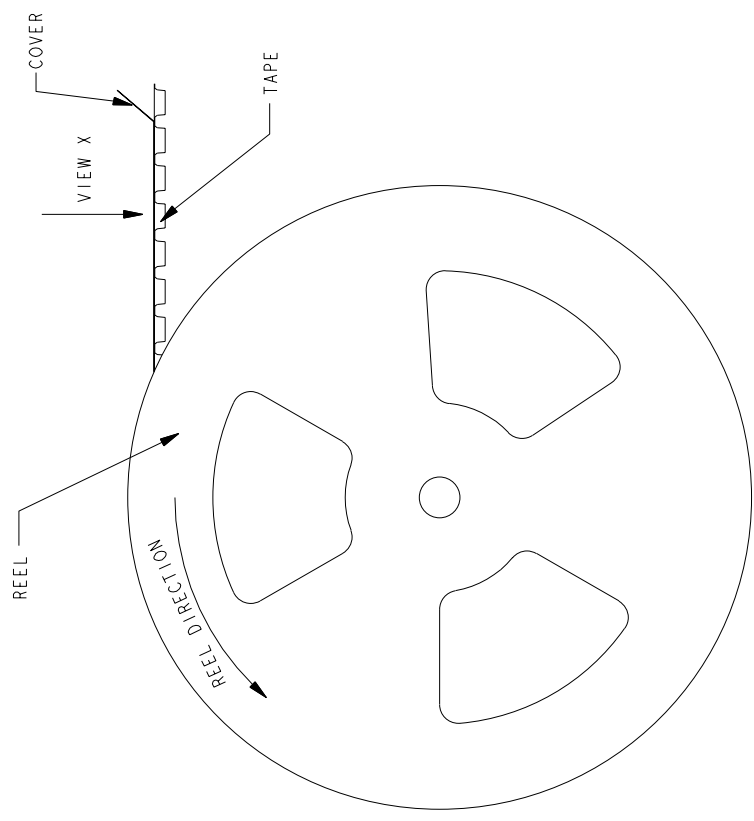
B

C

C

D

D



VIEW X, SCALE 2:1



Copyright FCI

www.fciconnect.com		surface	tolerance std	projection	MM
TOLERANCES UNLESS OTHERWISE SPECIFIED					
Dr Rick Bian	2007/08/23	ANGULAR	0.X ±0.50	size A4	Scale 1:000
Eng Rick Bian	2007/08/23	LINEAR	0.XX ±0.30	ECN	
Chr Daniel Tao	2007/08/23	0° ±3°	0.XXX ±	Spec ref	
Appr JOSEPH HSIA	2007/08/23	Product family			
EXPRESSCARD MODULE CONNECTOR		0 ± 6 mp		Rev. M	
EXPRESSCARD_MODULE_CARD KIT		10030570		CUSTOMER	
catalog no		10030570		sheet 4 of 4	



REV. 1 - 2005-04-17